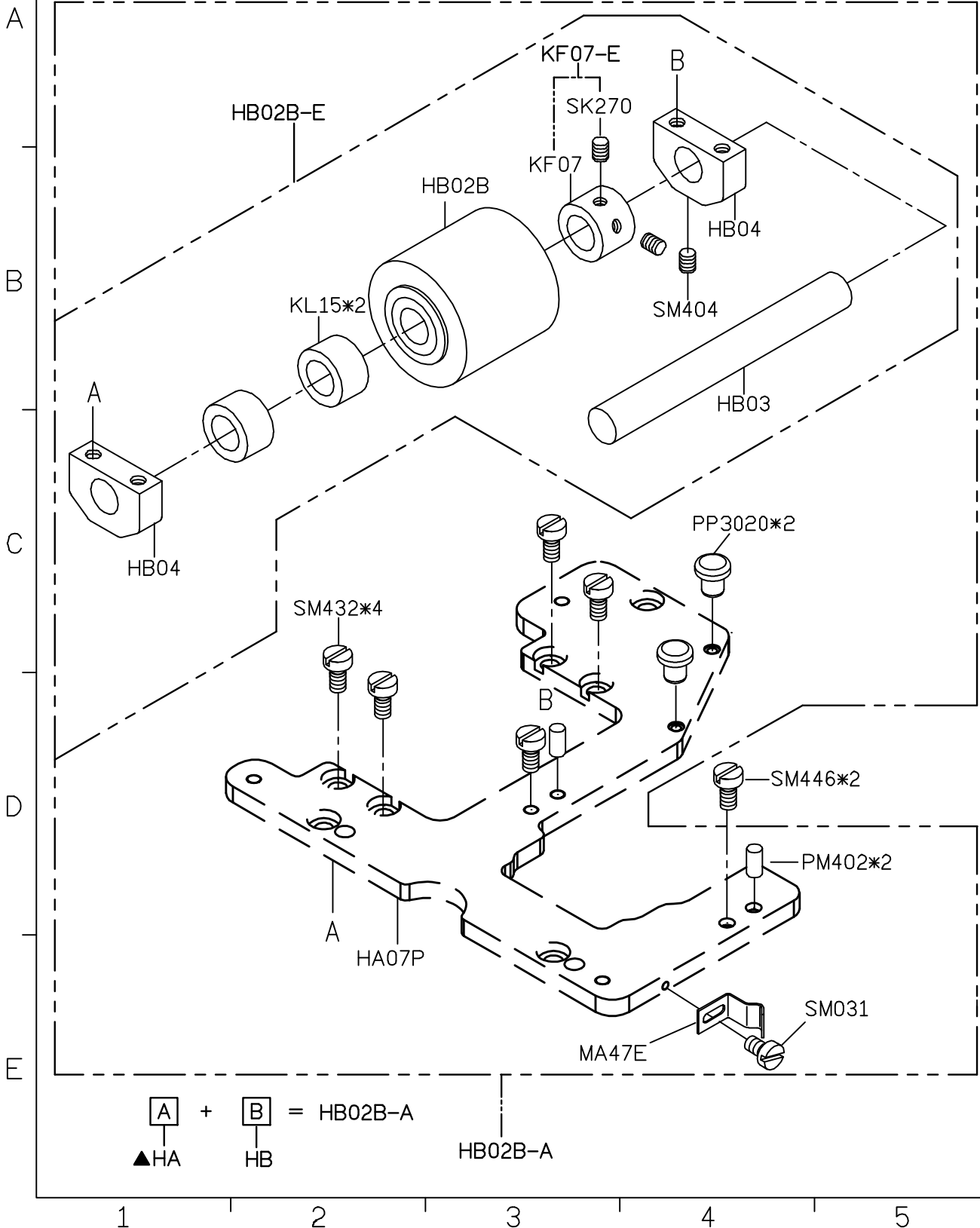
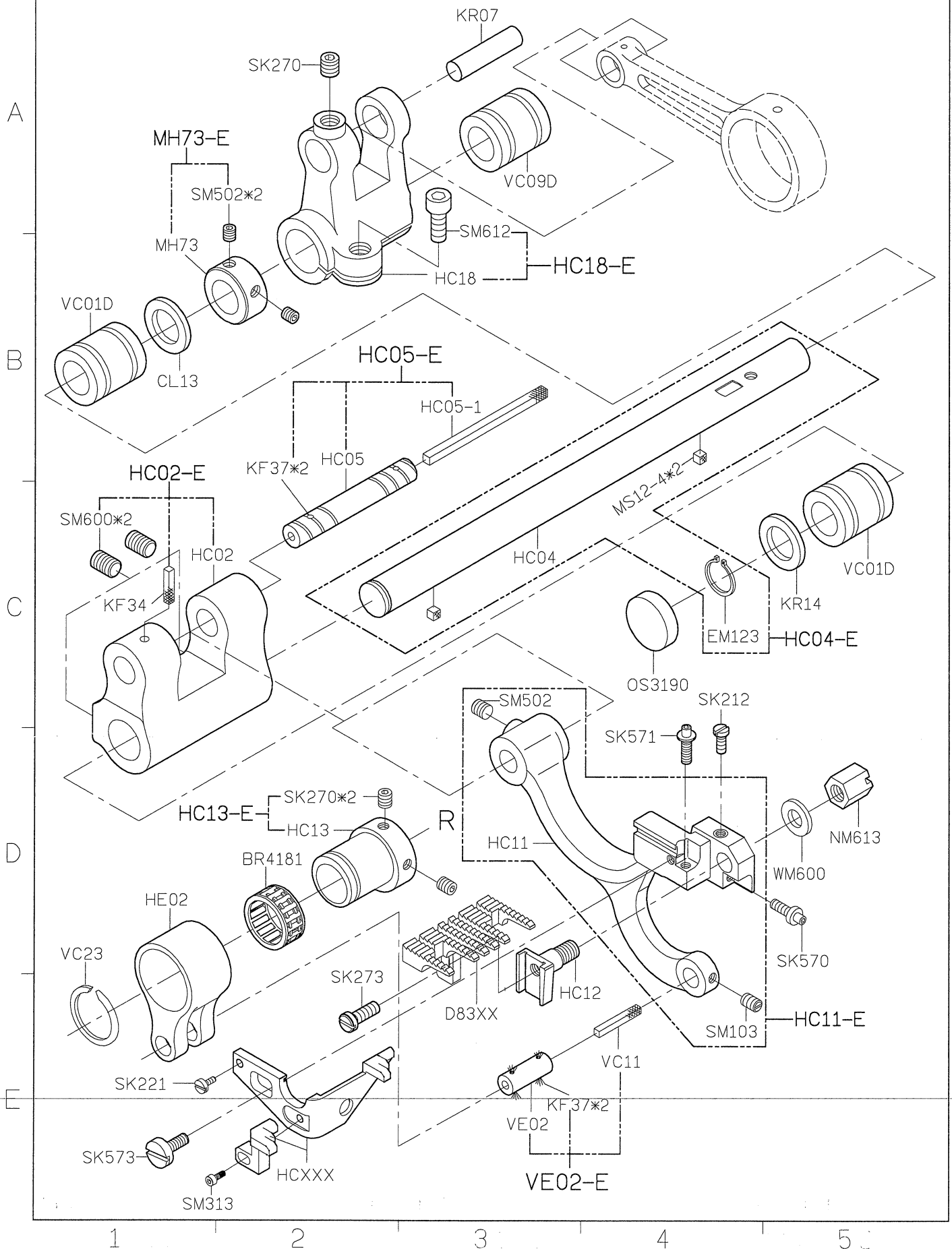


SIRUBA PARTS LIST	Series	Parts Group	Subclass / Remark	Page
	HF008A	HB		1/1
				Date
				2022/06/02

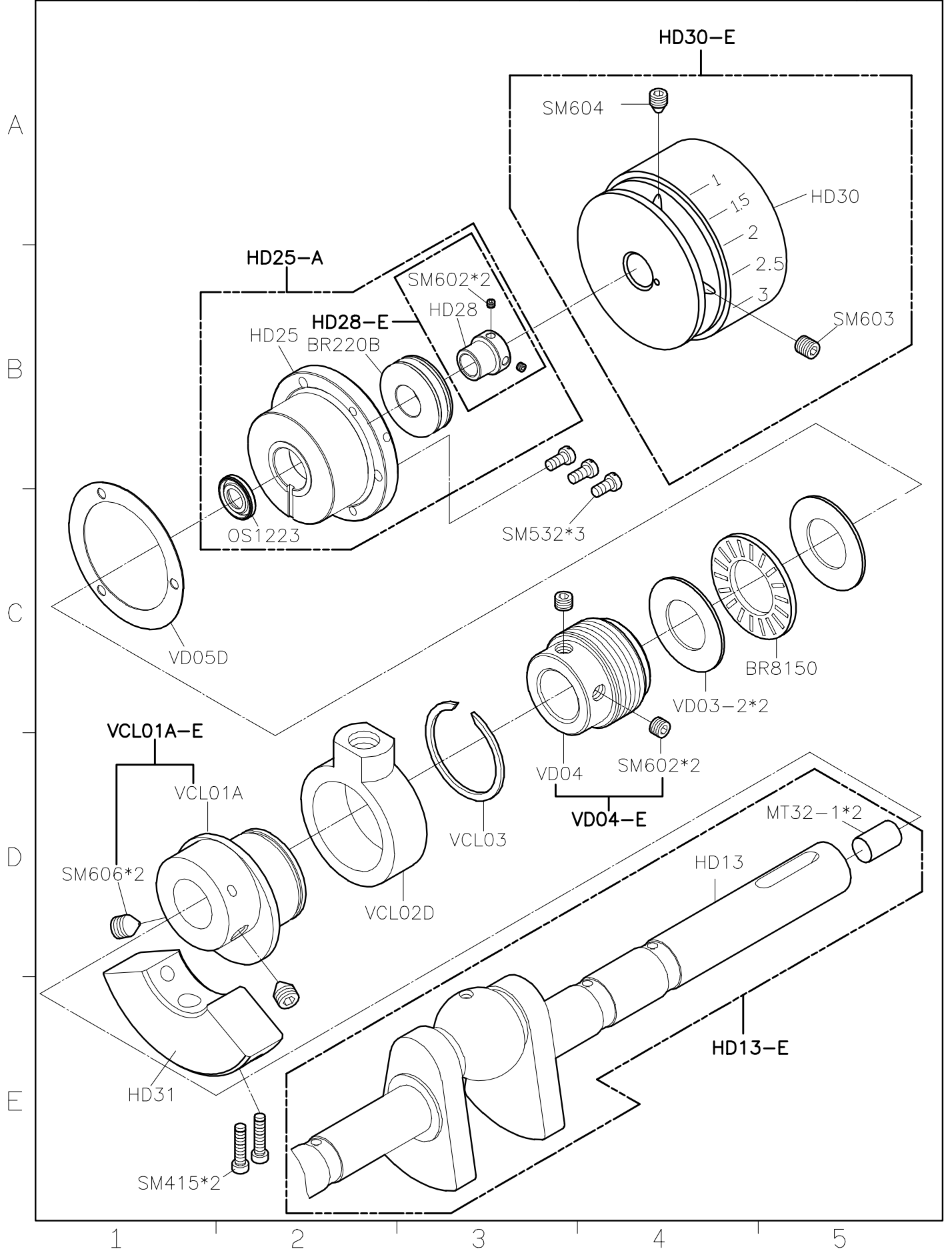
(FOR 2.3NEEDLE USE)



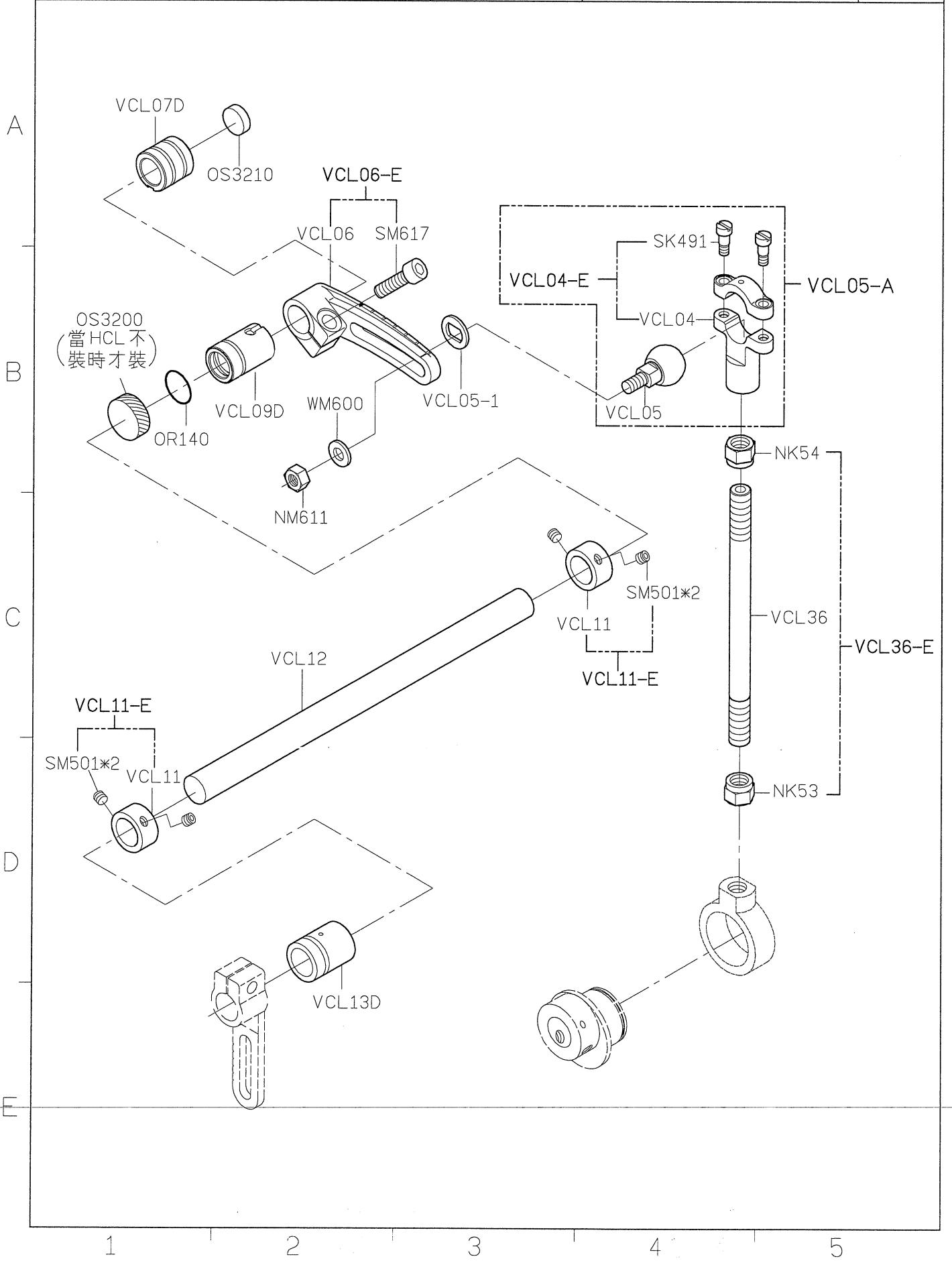
1 2 3 4 5

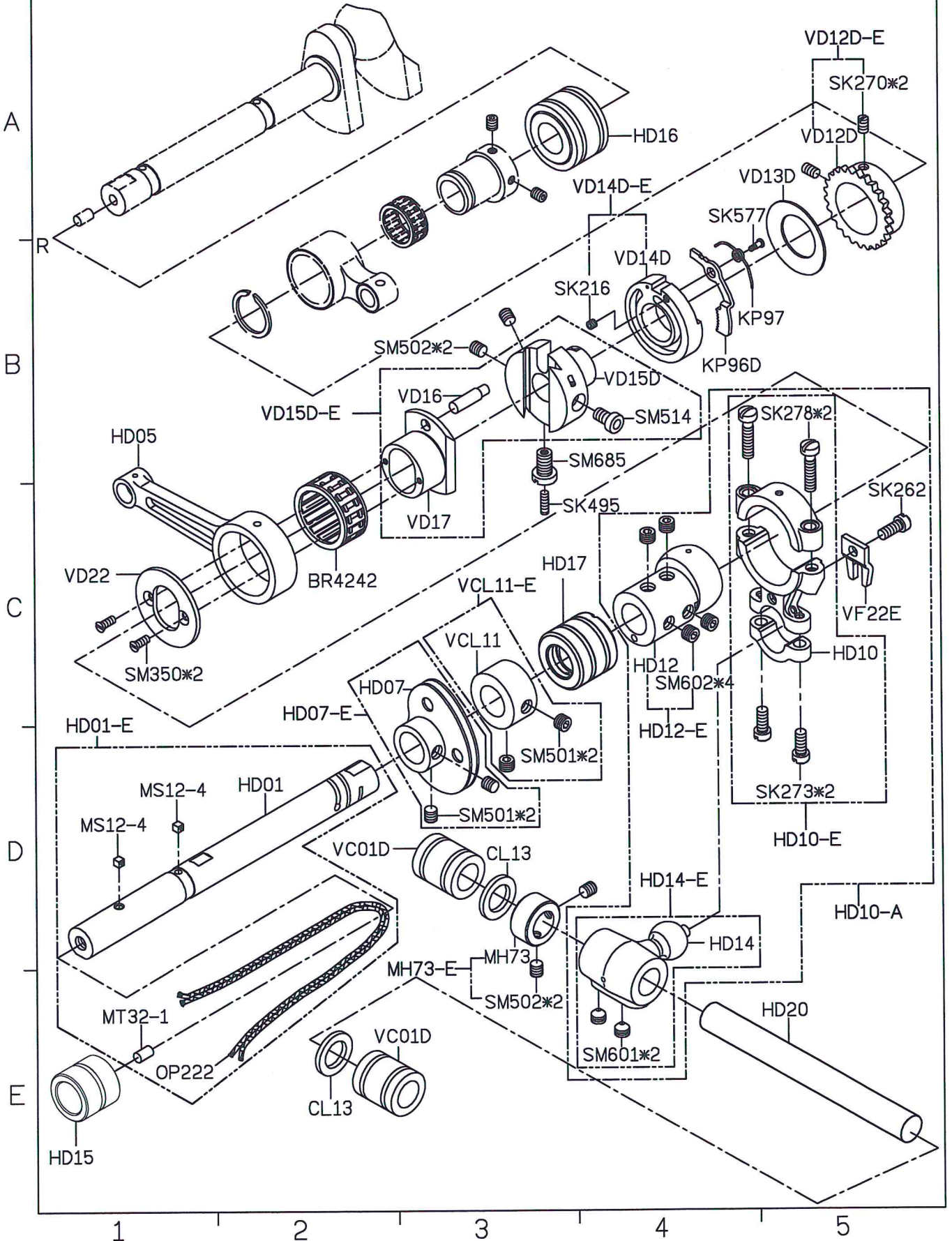


SIRUBA PARTS LIST	Series	Parts Group	Subclass / Remark	Page
	HF008A	HD		1/5
				Date
				2020/09/16

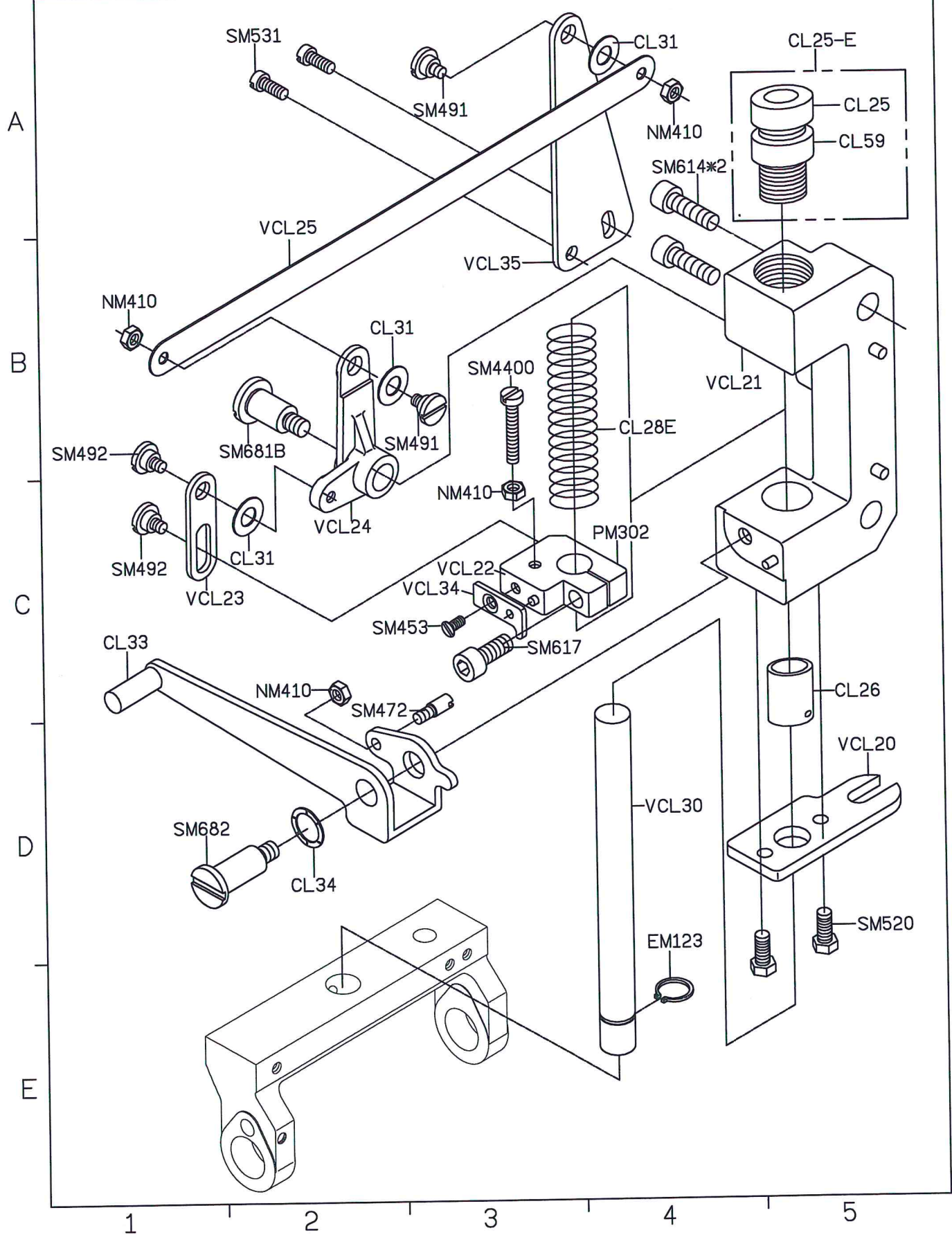


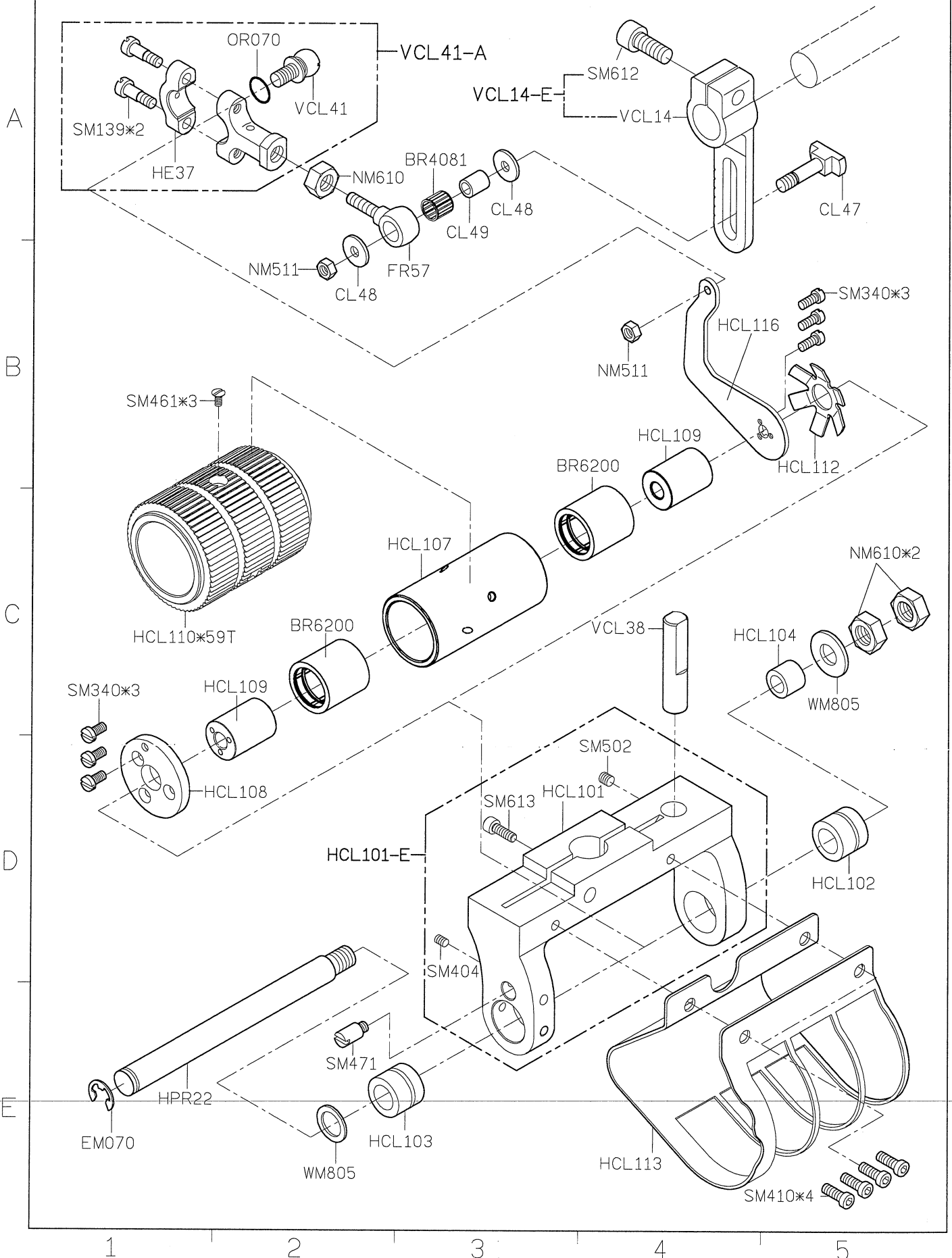
SIRUBA PARTS LIST	Series	Parts Group	Subclass / Remark	Page
	HF008A	HD		2/5
				Date
				2019/04/25



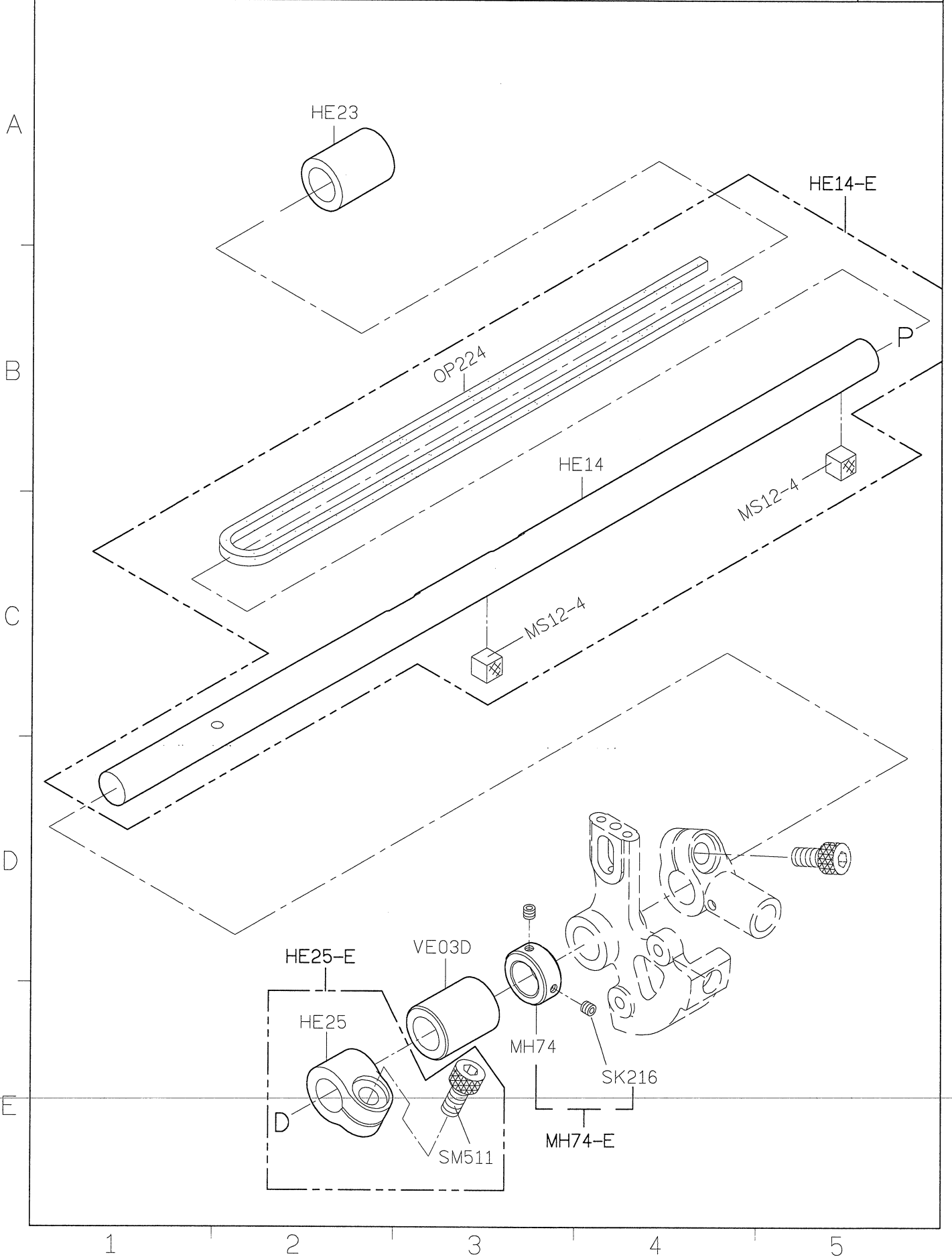


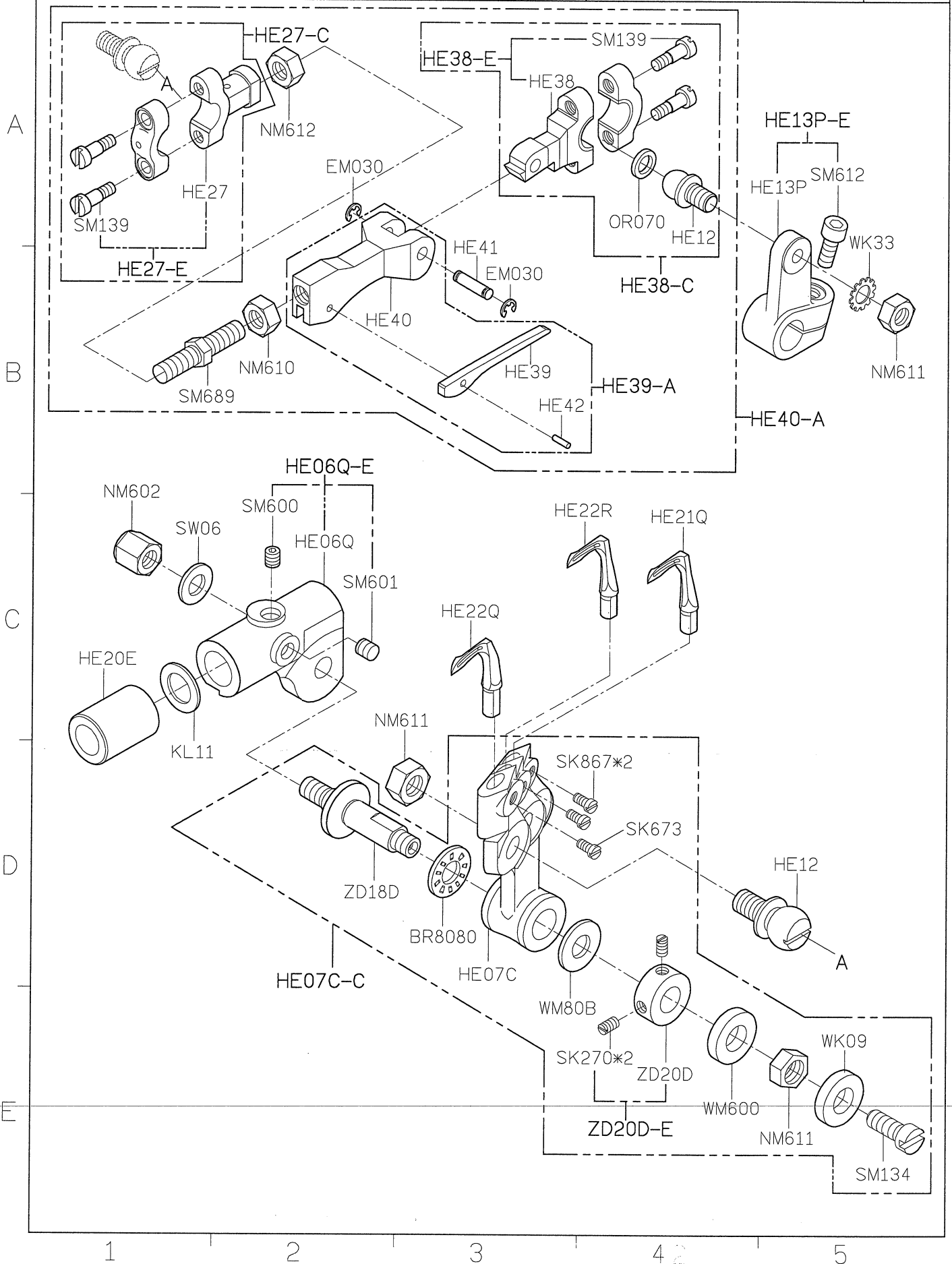
SIRUBA PARTS LIST	Series	Parts Group	Subclass / Remark	Page
	HF008A	HD		4/5
			Date	
			2024/01/18	



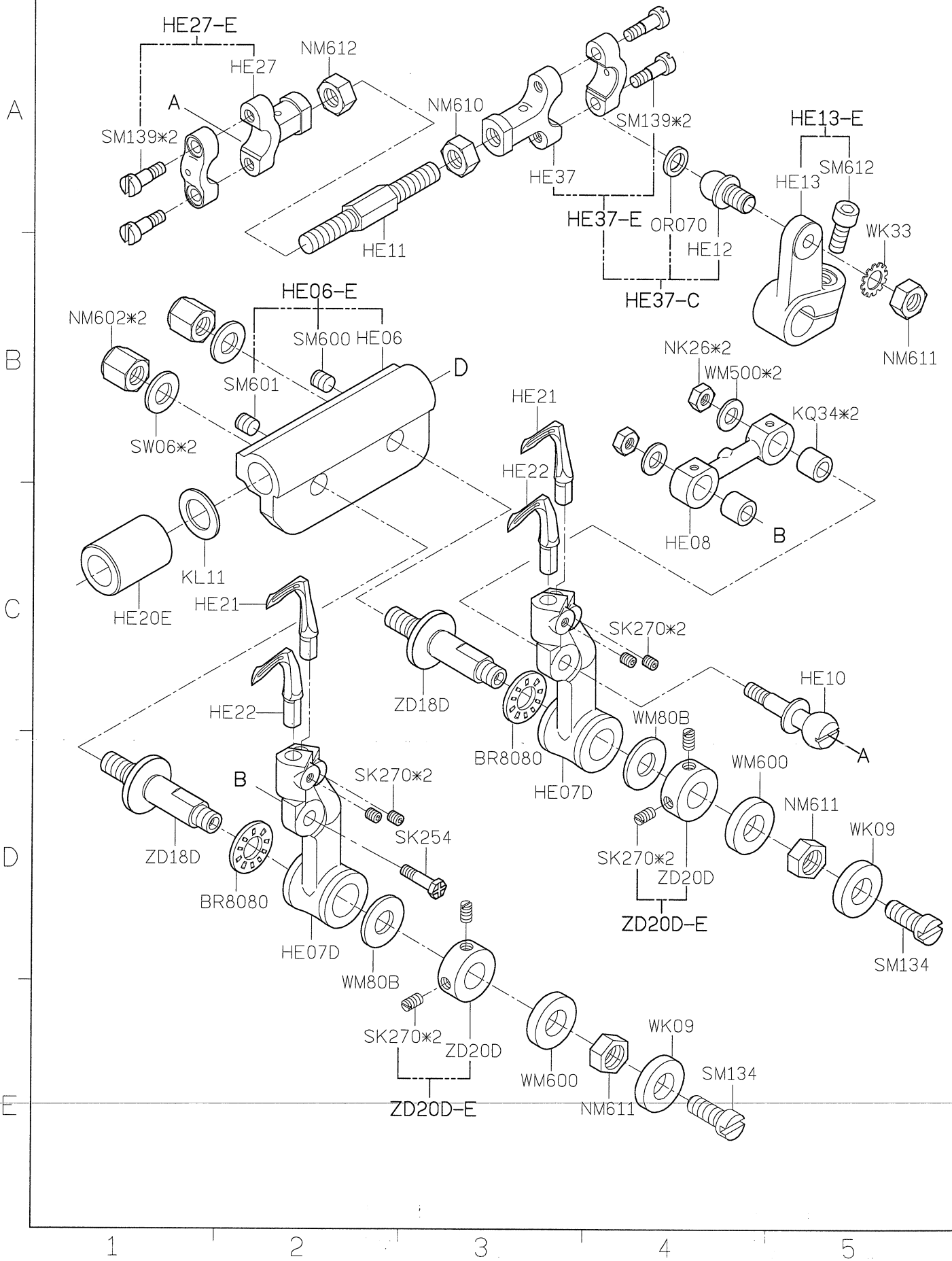


SIRUBA PARTS LIST	Series	Parts Group	Subclass / Remark	Page
	HF008A	HE		1/5
				Date
				2019/04/25





SIRUBA PARTS LIST	Series	Parts Group	Subclass / Remark	Page
	HF008A	HE	FOR 4 NEEDLE USE	4/5
				Date
				2019/04/25



SiRUBA PARTS LIST	Series	Parts Group	Subclass / Remark	Page
	HF008A	HE	FOR 6 NEEDLE USE	5/5
				Date
				2019/04/25

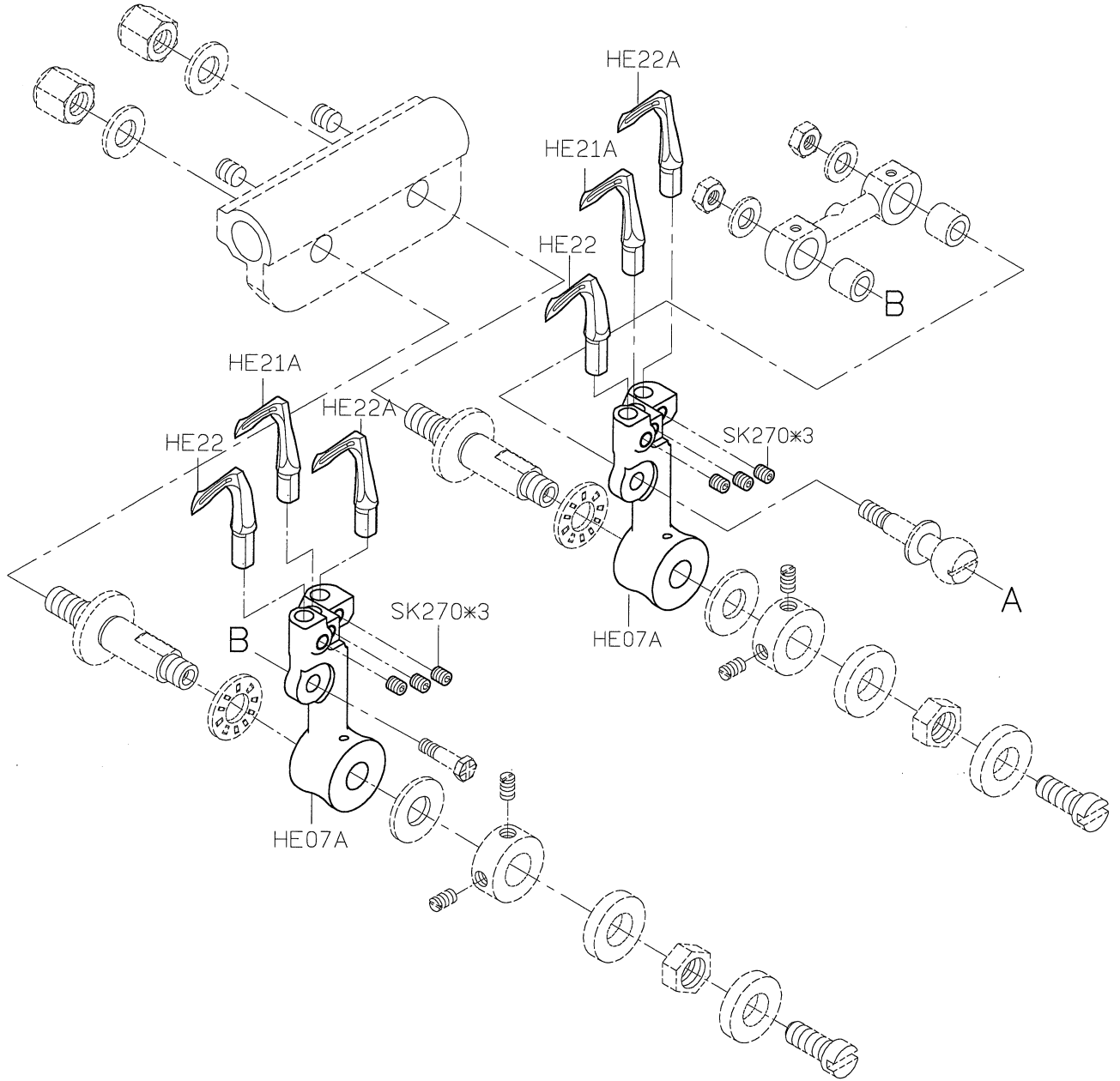
A

B

C

D

E



1

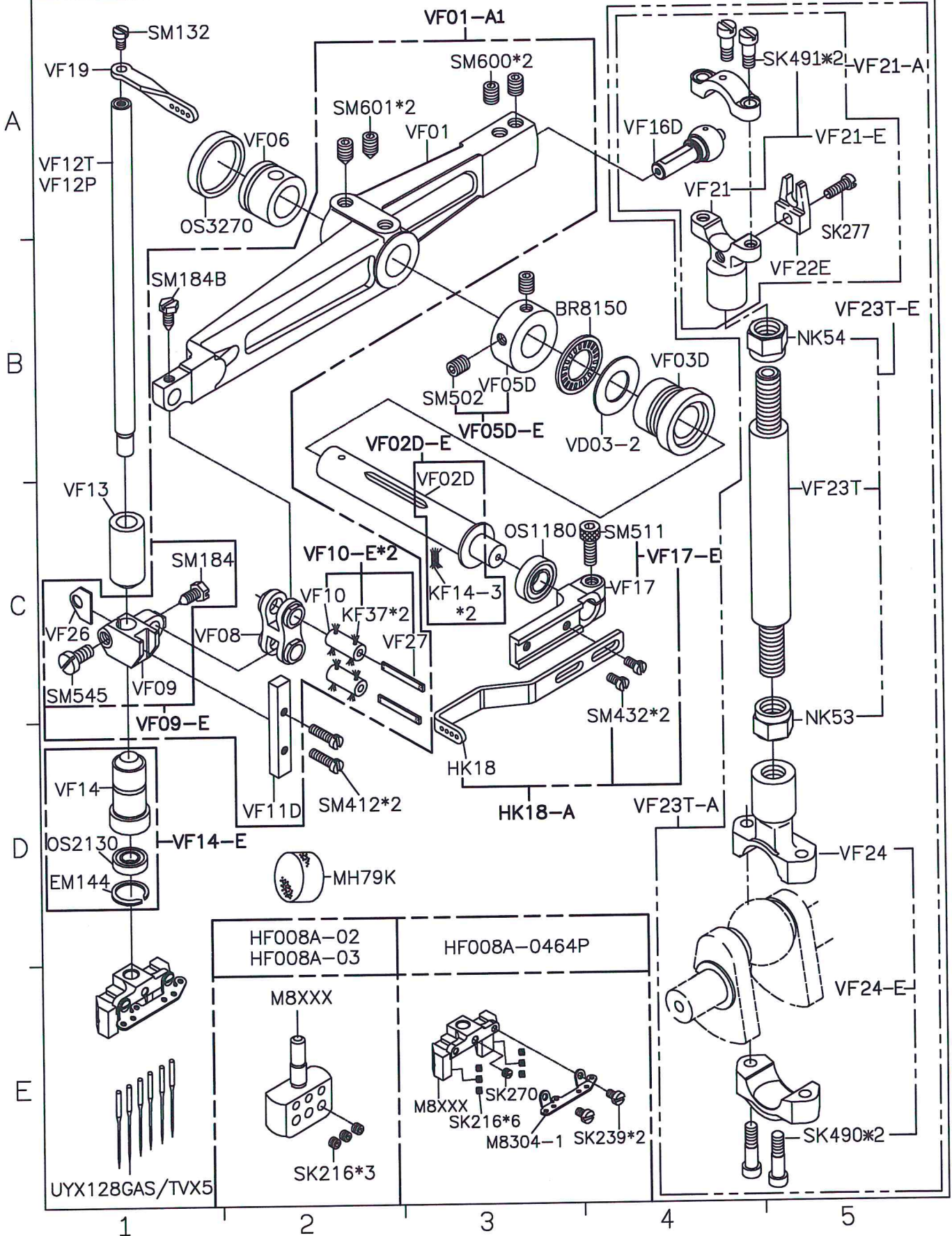
2

3

4

5

SIRUBA PARTS LIST	Series	Parts Group	Subclass / Remark	Page
	HF008A	HF		1/1
				Date
				2023/03/31



SIRUBA

PARTS LIST

Series
HF008A

Parts Group
HJ

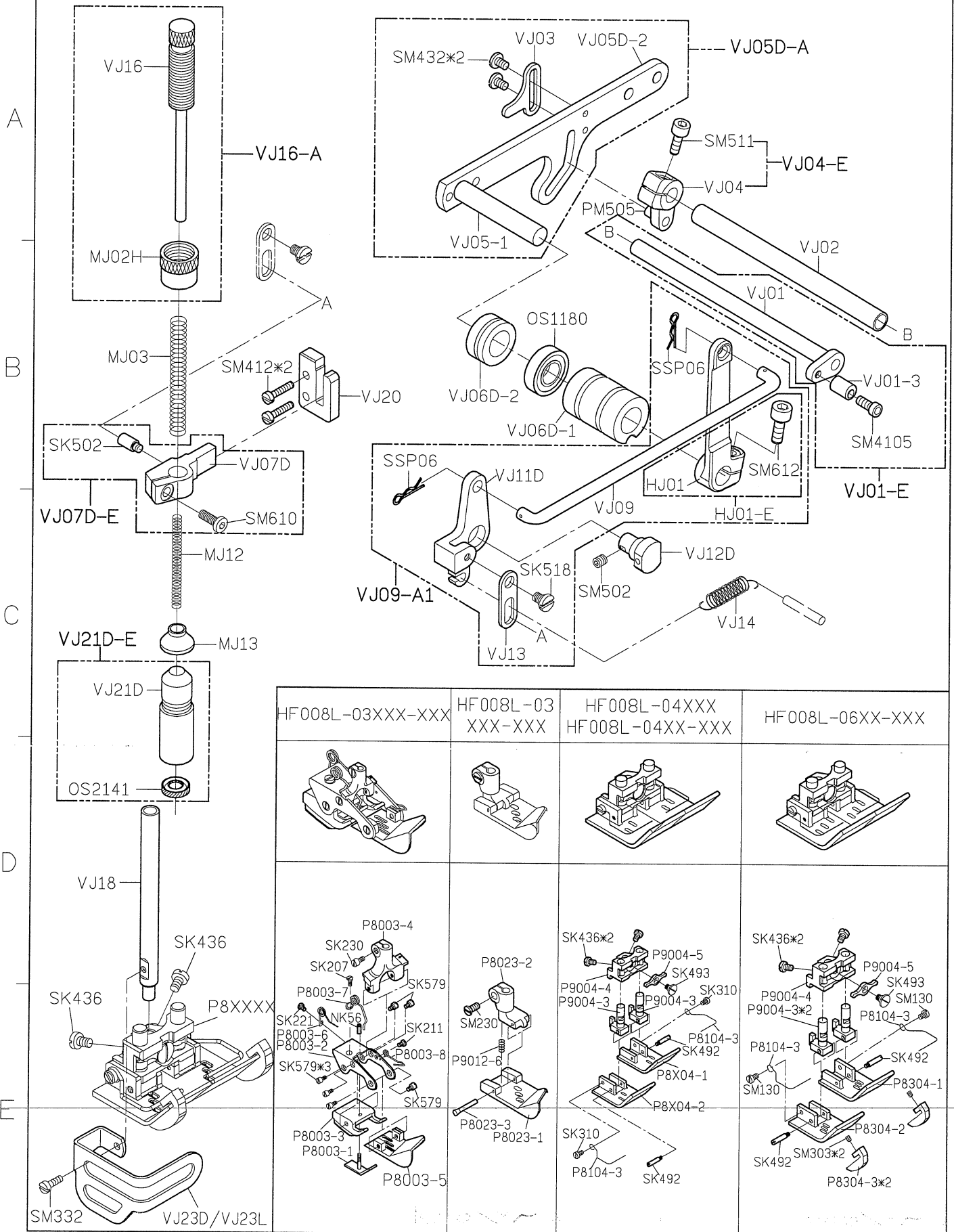
Subclass / Remark

Page

1/1

Date

2018/04/25



HF008L-03XXX-XXX	HF008L-03 XXX-XXX	HF008L-04XXX HF008L-04XX-XXX	HF008L-06XX-XXX
<p>P8003-4</p> <p>SK230</p> <p>SK207</p> <p>P8003-7</p> <p>SK579</p> <p>SK221</p> <p>NK56</p> <p>P8003-6</p> <p>P8003-2</p> <p>SK579*3</p> <p>SK579</p> <p>SK211</p> <p>P8003-8</p> <p>P8003-3</p> <p>P8003-1</p> <p>P8003-5</p>	<p>P8023-2</p> <p>SM230</p> <p>P9012-6</p> <p>P8023-3</p> <p>P8023-1</p>	<p>SK436*2</p> <p>P9004-5</p> <p>P9004-4</p> <p>P9004-3</p> <p>P9004-3</p> <p>SK310</p> <p>P8104-3</p> <p>SK492</p> <p>P8X04-1</p> <p>P8X04-2</p> <p>SK310</p> <p>P8104-3</p> <p>SK492</p>	<p>SK436*2</p> <p>P9004-5</p> <p>P9004-4</p> <p>P9004-3*2</p> <p>SK493</p> <p>SM130</p> <p>P8104-3</p> <p>P8104-3</p> <p>SK492</p> <p>P8304-1</p> <p>SM130</p> <p>P8304-2</p> <p>SK492</p> <p>SM303*2</p> <p>P8304-3*2</p>

1

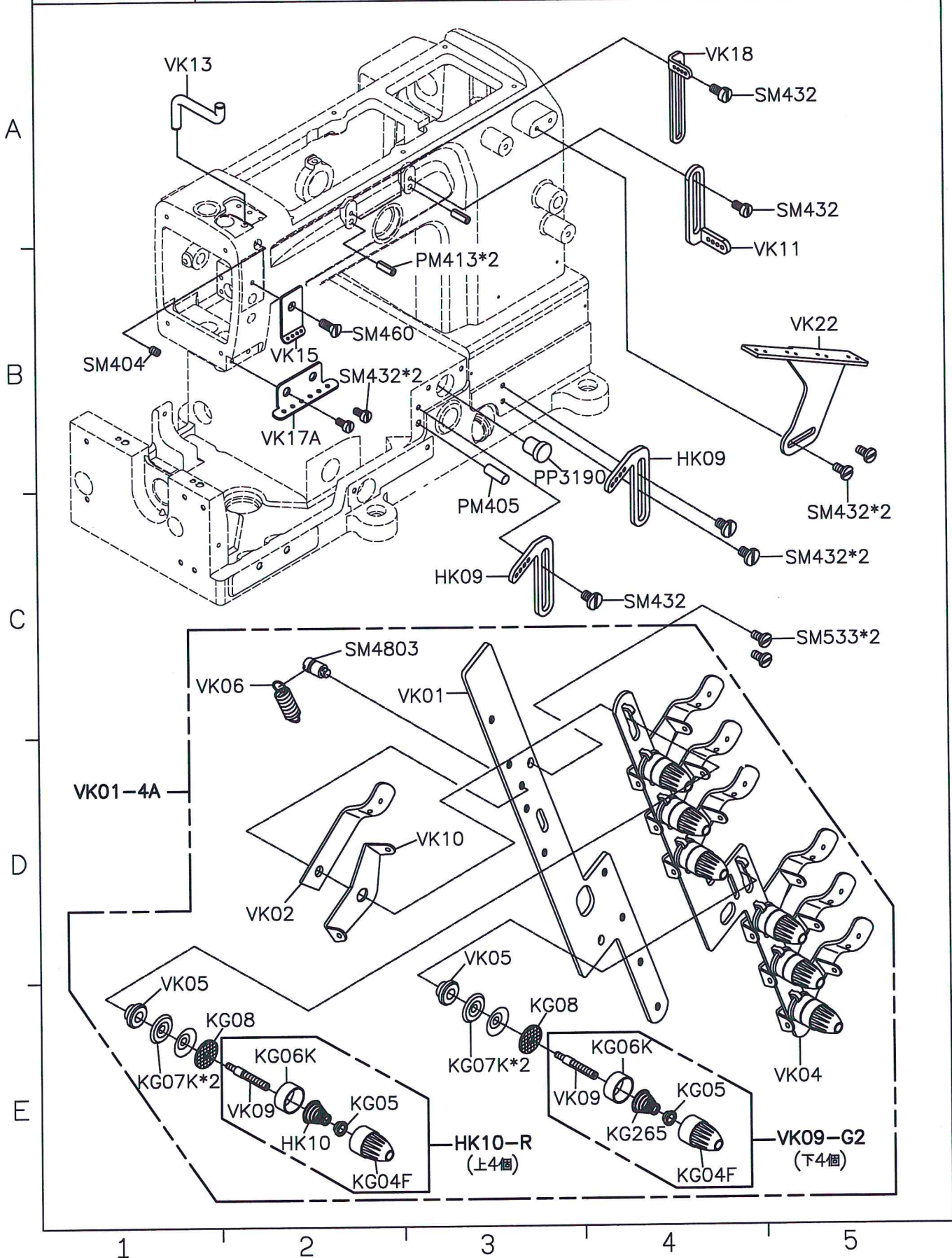
2

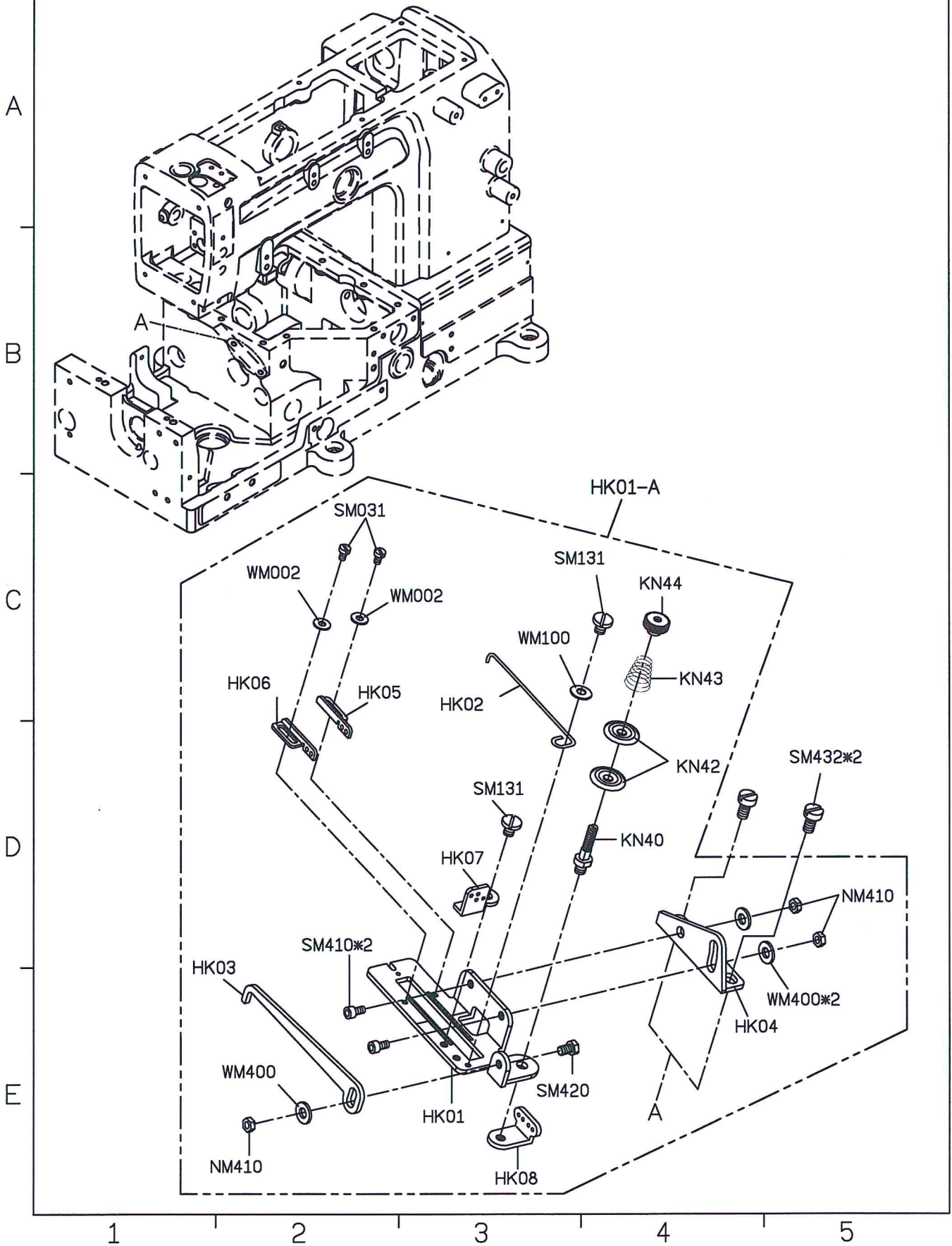
3

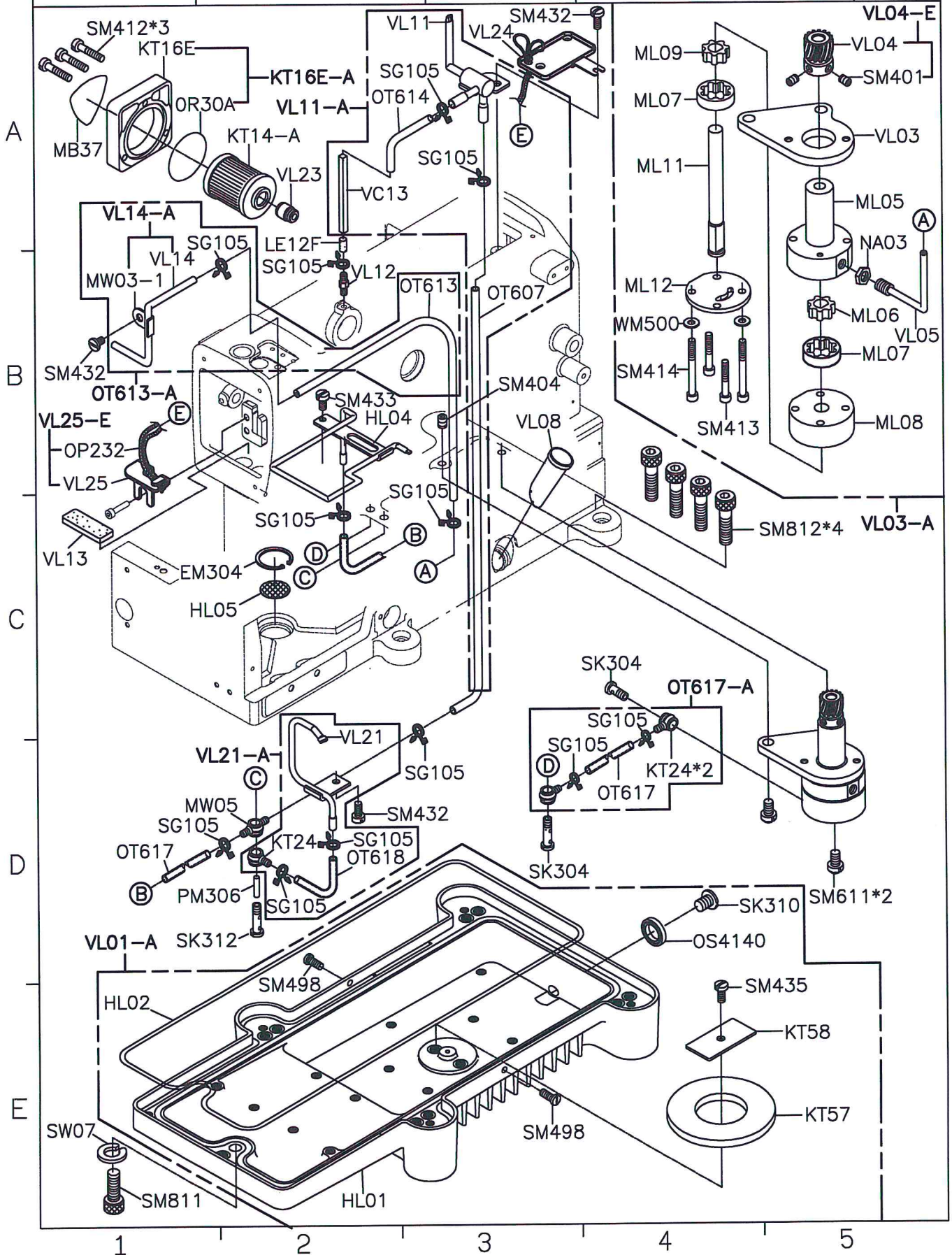
4

5

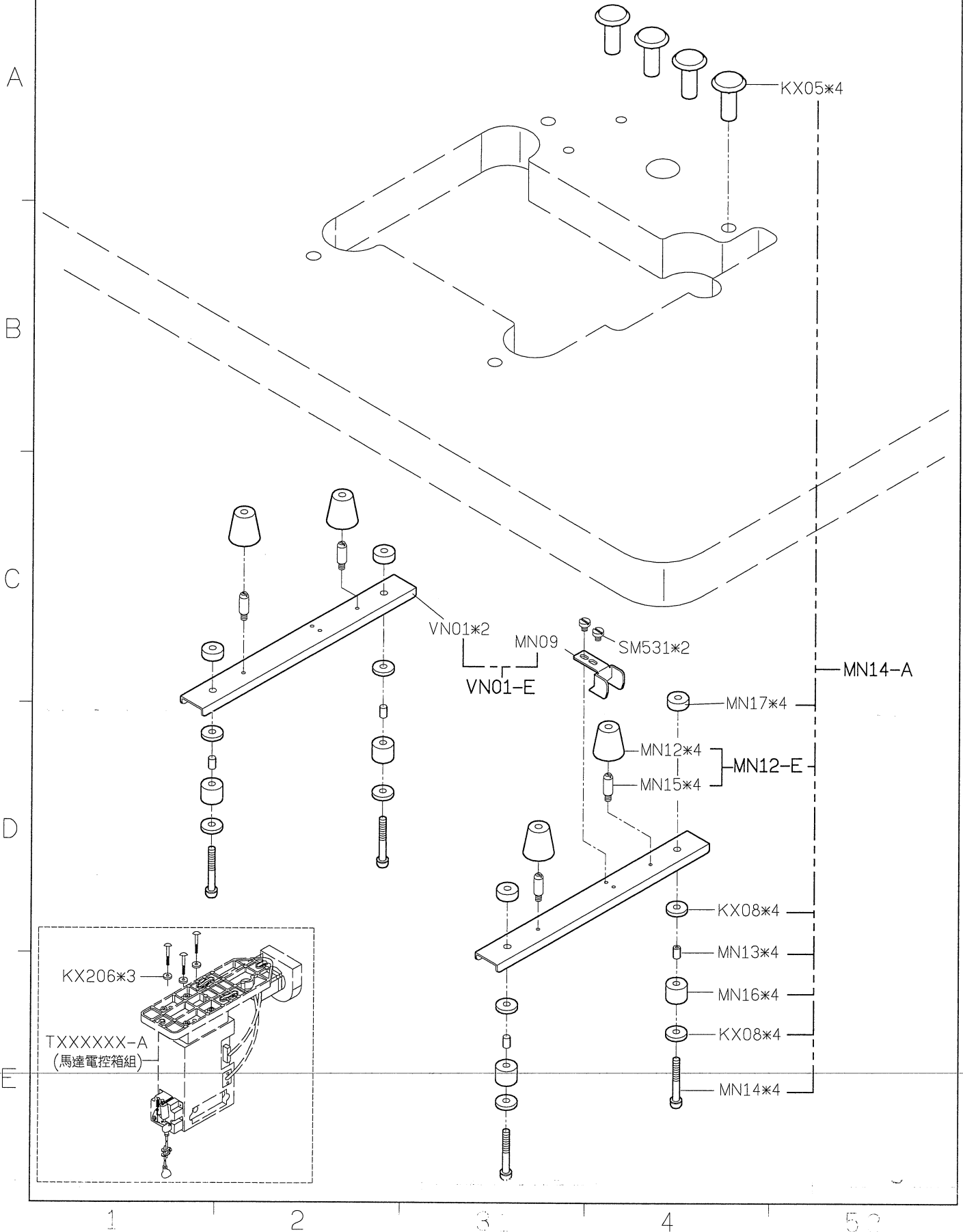
SIRUBA PARTS LIST	Series	Parts Group	Subclass / Remark	Page
	HF008A	HK		1/2
				Date
				2024/01/18



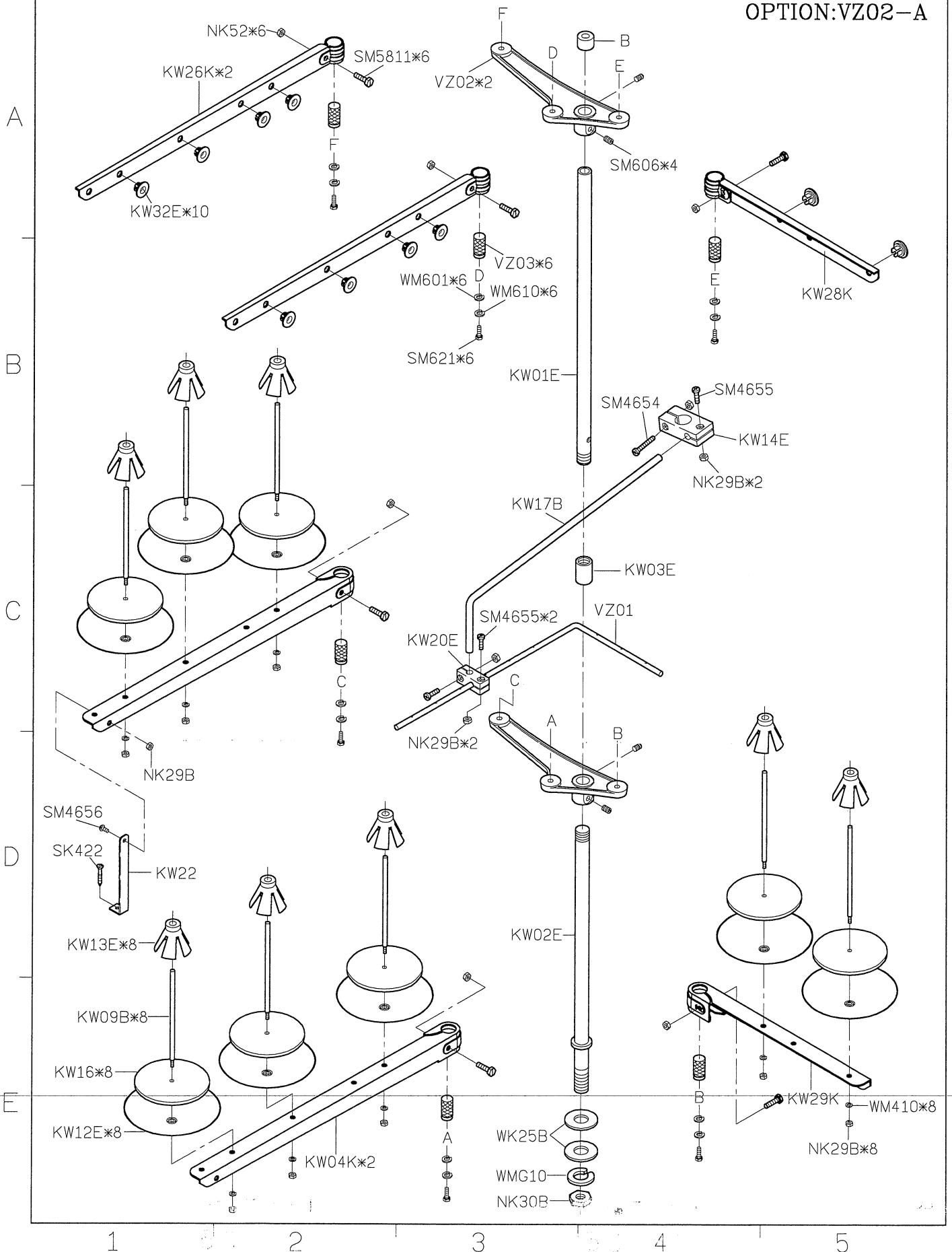




SIRUBA PARTS LIST	Series	Parts Group	Subclass / Remark	Page
	HF008A	HN		1/3
				Date
				2019/04/25

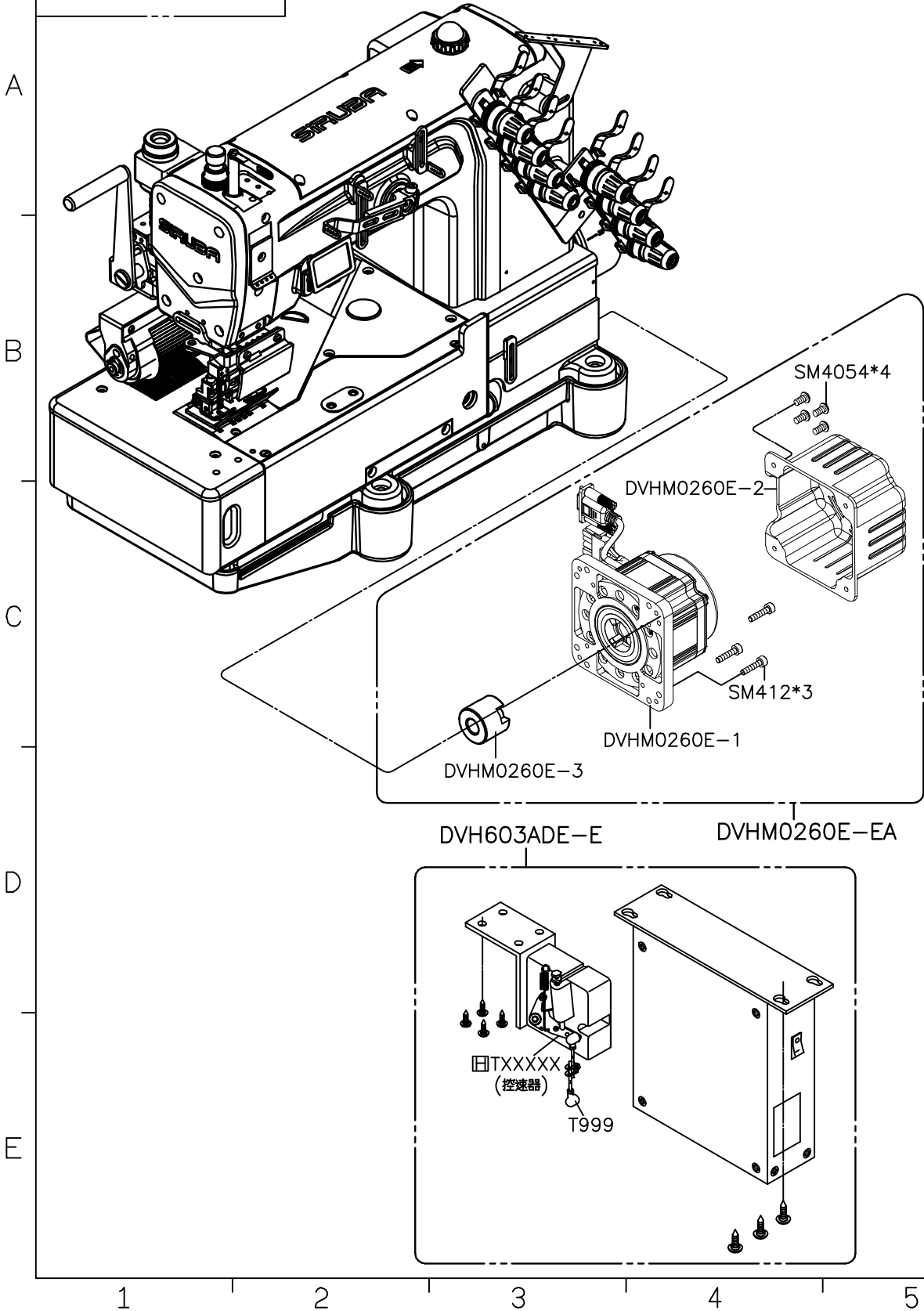


OPTION:VZ02-A

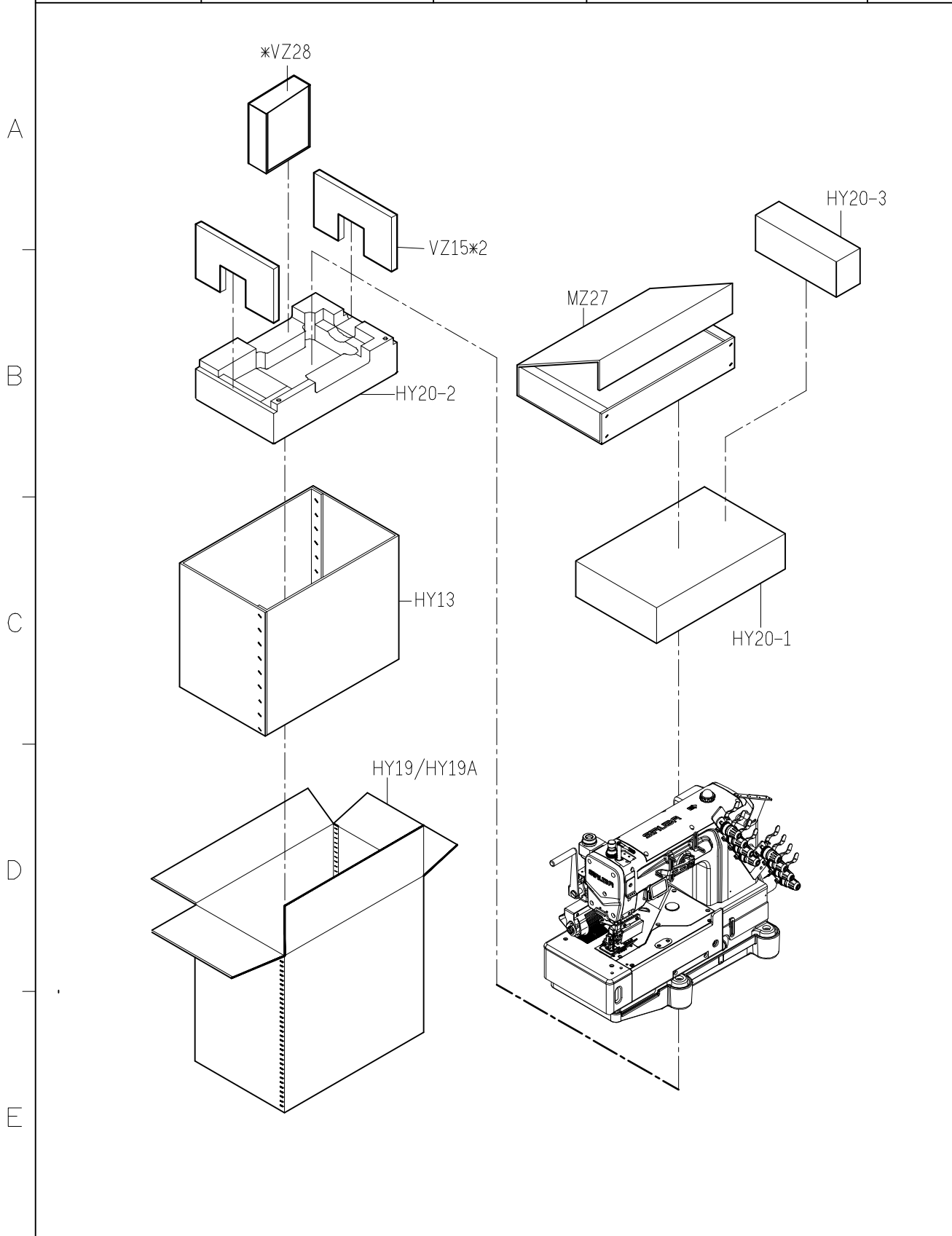


SIRUBA PARTS LIST	Series	Parts Group	Subclass / Remark	Page
	HF008A	HN	#賀欣便品	3/3
				Date
				2021/12/09

DVH603ADE-AA

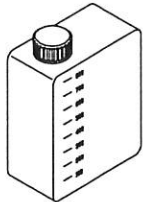


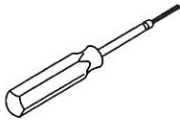






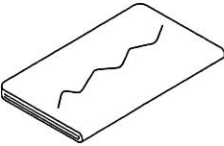


SIRUBA PARTS LIST	Series	Parts Group	Subclass / Remark	Page
	HF008A	HY	*直驅車	1/2
				Date
				2024/08/30



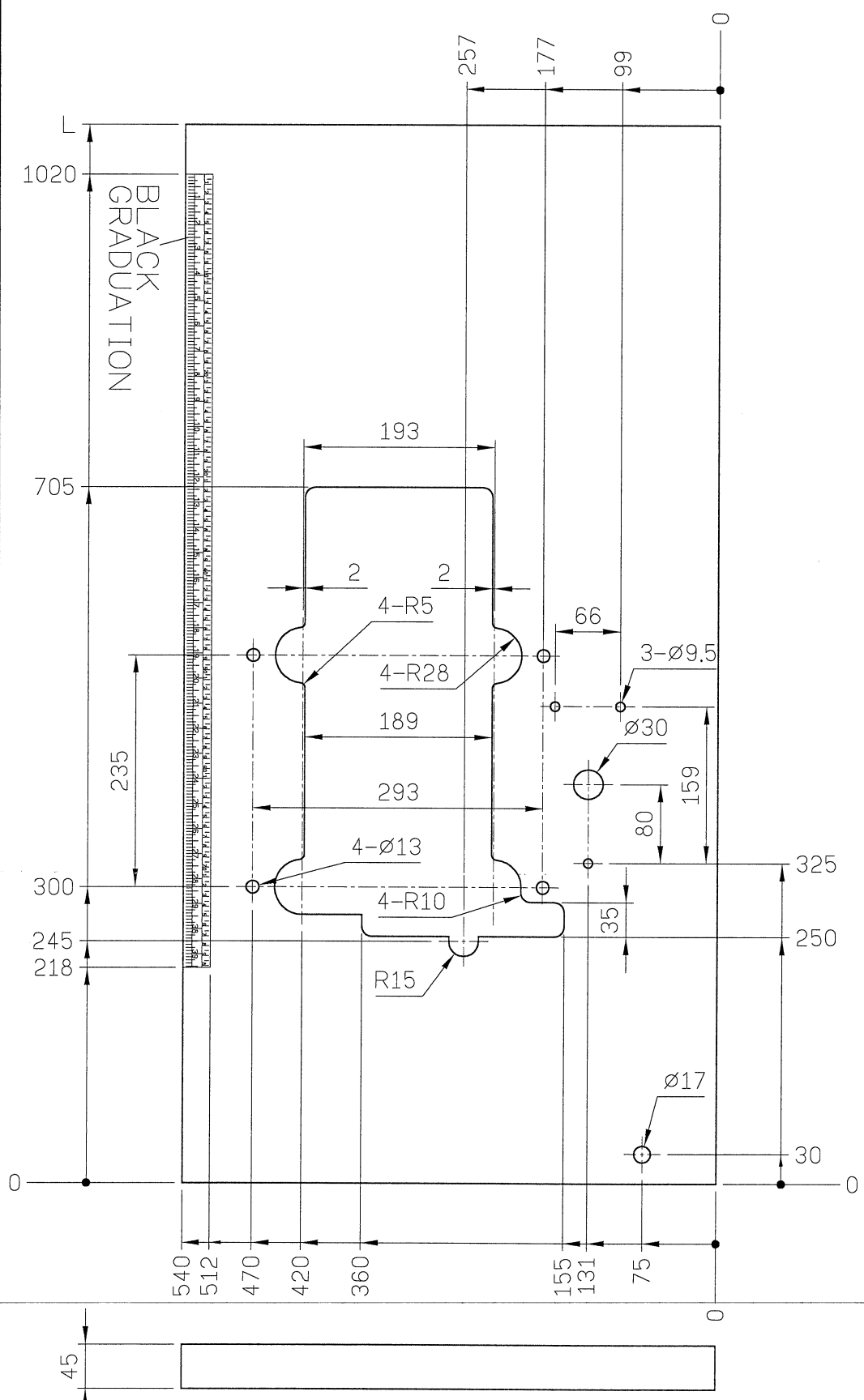
1 2 3 4 5

SIRUBA PARTS LIST	Series	Parts Group	Subclass / Remark	Page
	HF008A	HY		2/2
				Date
				2025/06/11

	KY02F-A 油罐 	KY03 油壺 	KY04 漏斗 	KY14 內六角螺絲起子 	KY18 鑷子 
A	KY201 工具袋 	KY21-E 鉤子 MY21-1 MY21 鍊條 	KT14-A 濾油器 	KZ03 乾燥劑 	LY33 一字起子 
B	MY01 防塵罩 				
C					
D					
E					
	1	2	3	4	5

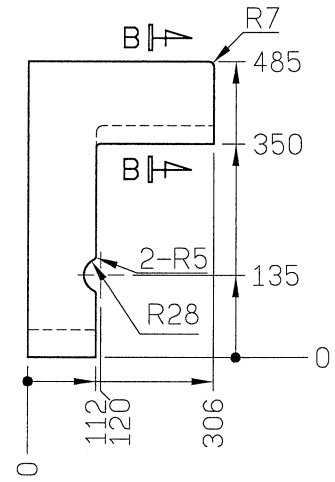
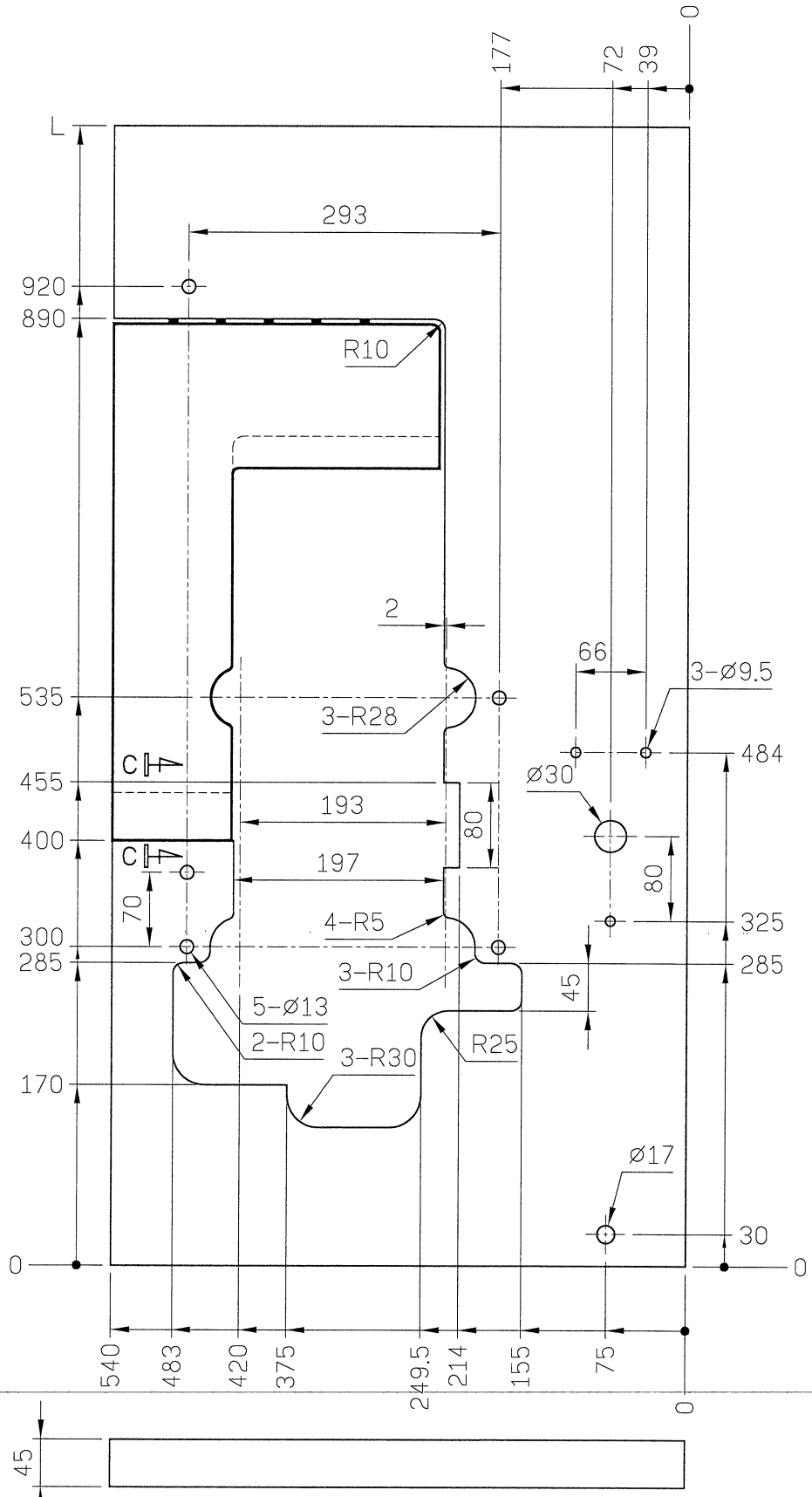
SIRUBA TABLE CUT - OUT	Series	Item Code	Subclass Remark	Mounting
	HF008 HF008A	HF008-T1		Semi-submerged
				Date
				2019/05/22

單位 / UNIT : mm
 所有尺寸公差 / TOLERANCE : ±2
 長度 (L) : 1070 / 重量 (W) : 11.5kg ± 5%
 長度 (L) : 1200 / 重量 (W) : 12.5kg ± 5%

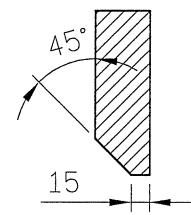


SIRUBA TABLE CUT - OUT	Series	Item Code	Subclass Remark	Mounting
	HF008	HF008-T3		Fully-submerged
	HF008A			Date
				2019/05/22

單位 / UNIT : mm
 所有尺寸公差 / TOLERANCE : ±2
 長度 (L) : 1070 / 重量 (W) : 11.5kg ±5%
 長度 (L) : 1200 / 重量 (W) : 12.5kg ±5%



比例 (1/12)



B-B剖面 (1/3)

C-C剖面 (1/3)

SIRUBA

TABLE
CUT - OUT

Series

HF008
HF008A

Item Code

HF008-T4

Subclass Remark

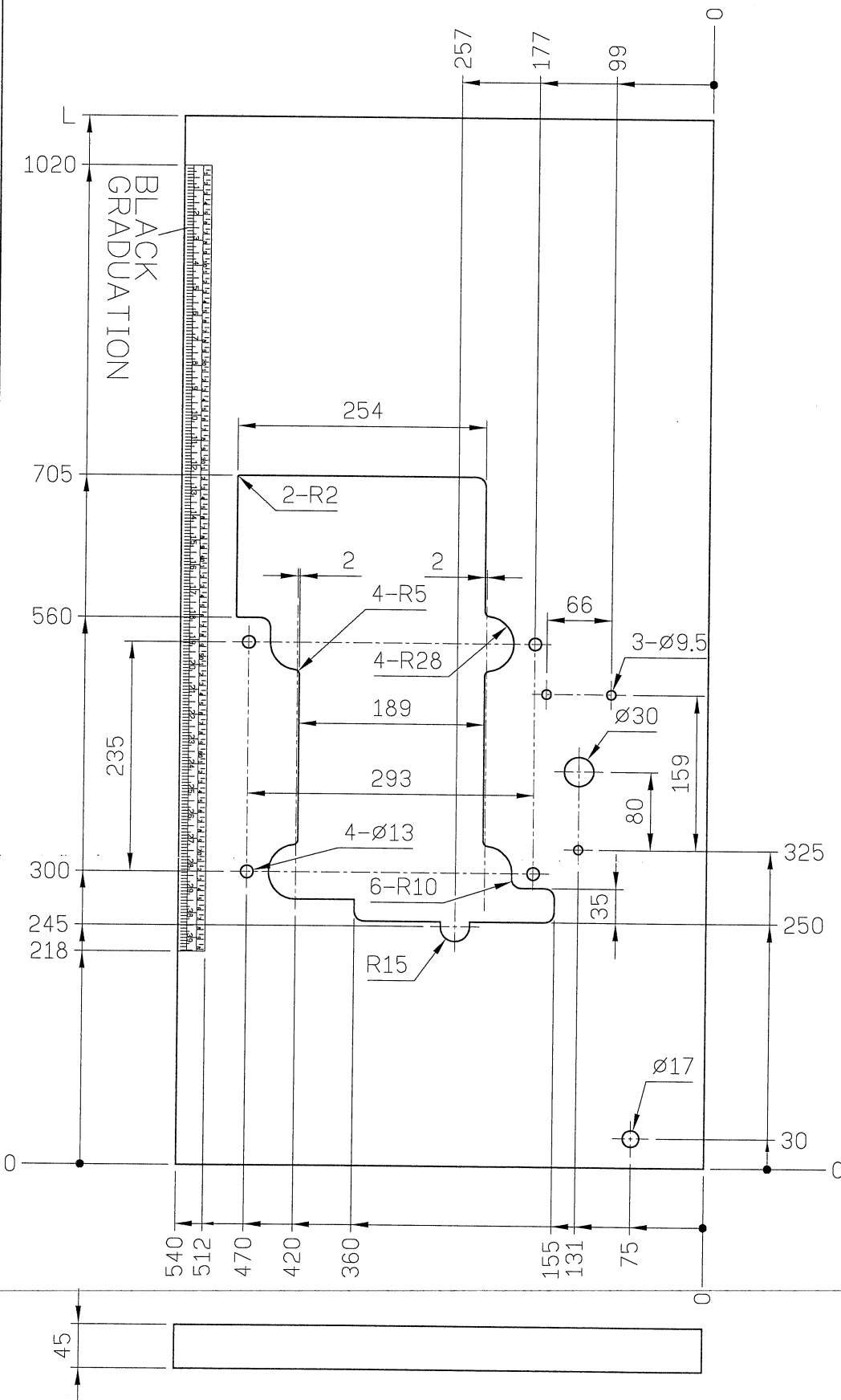
For FBQ

Mounting

Semi-submerged

Date

2019/05/22



單位 / UNIT : mm
所有尺寸公差 / TOLERANCE : ± 2
長度 (L) : 1070 / 重量 (W) : 11.5kg $\pm 5\%$
長度 (L) : 1200 / 重量 (W) : 12.5kg $\pm 5\%$