

# SIRUBA

零件圖

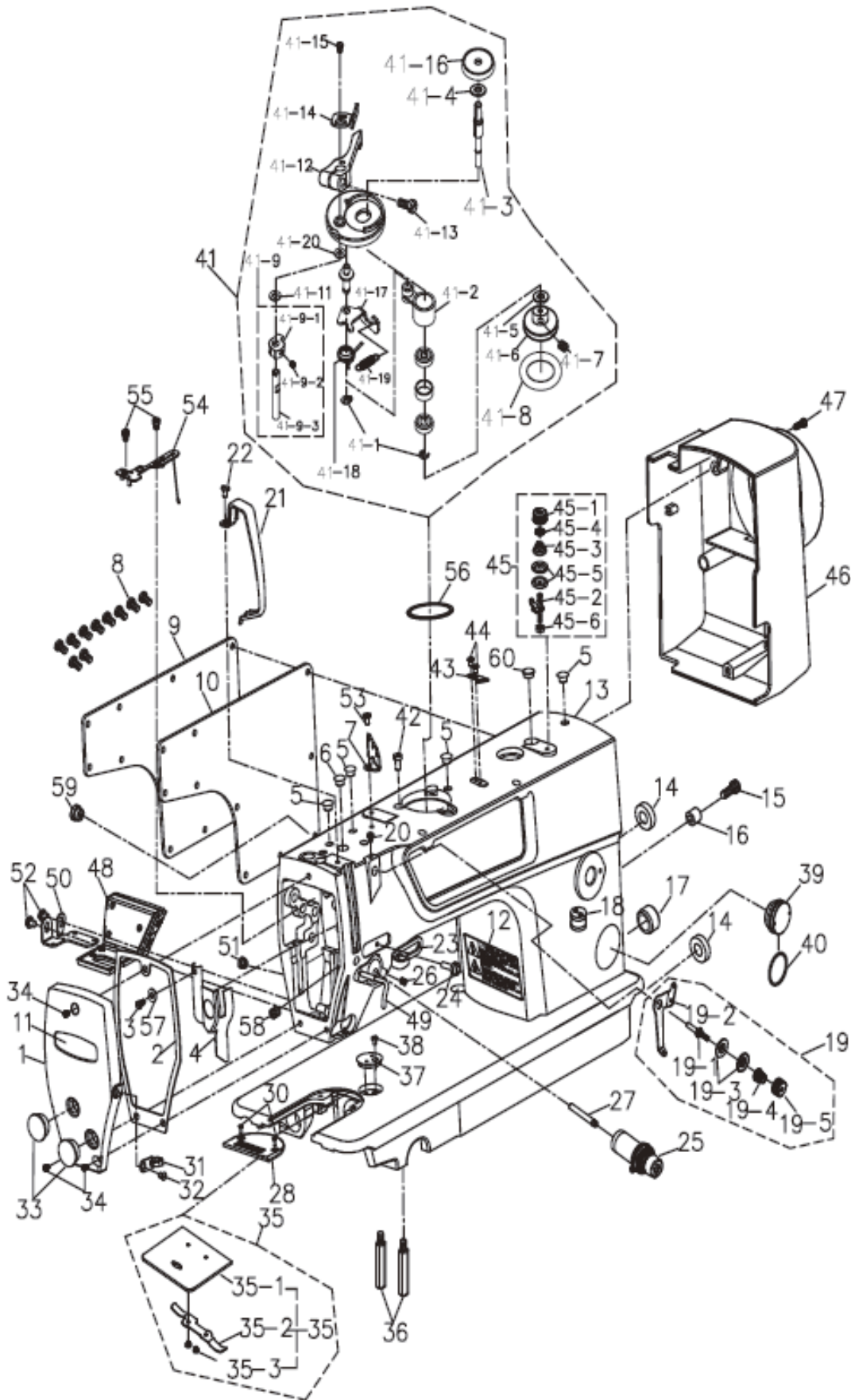
PARTS LIST

DL7600-BM1-16Q



# 1. 机壳部件

## MACHINE FRAME & MISCELLANEOUS COVER COMPONENTS

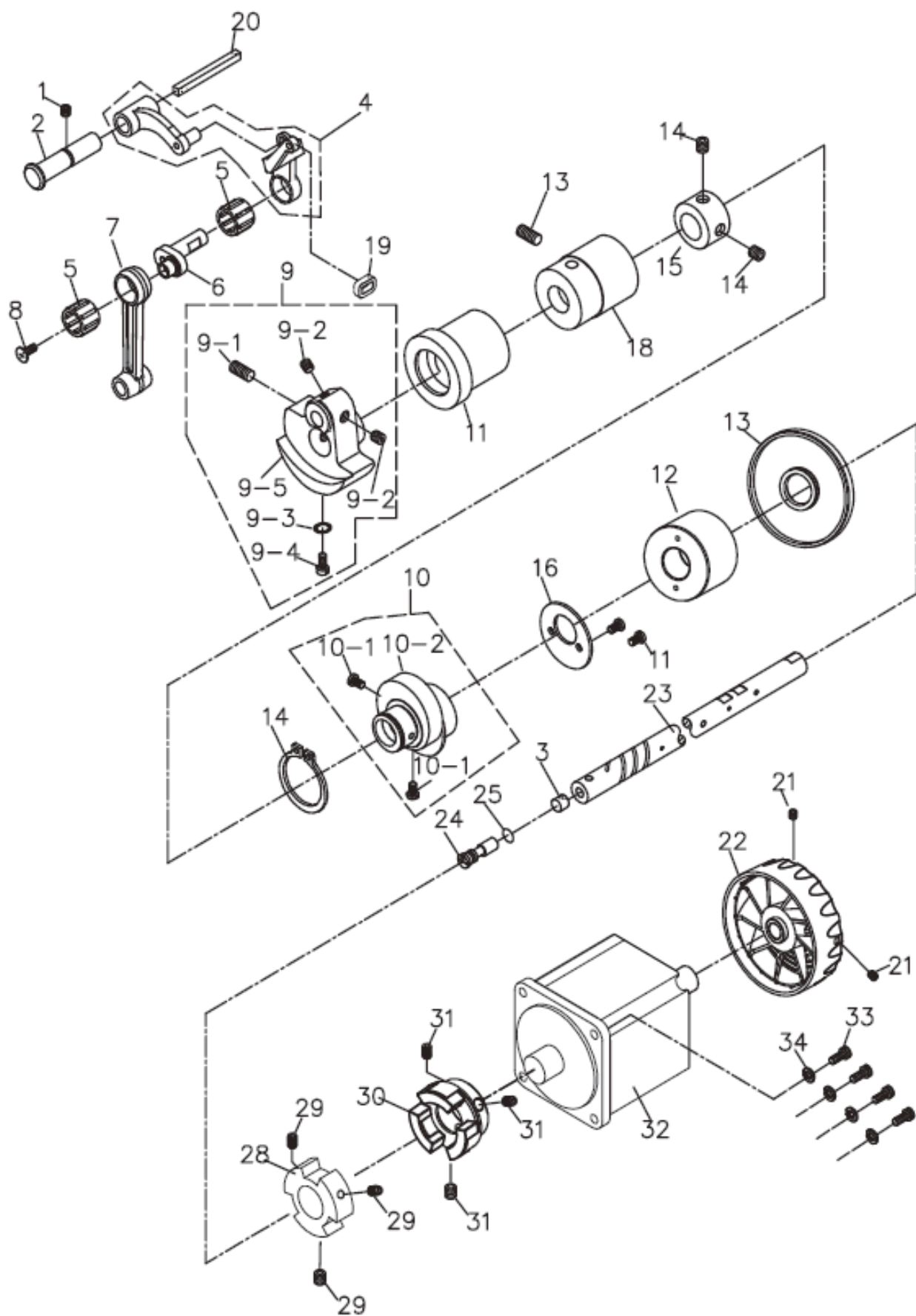


序号 Ref.No.	新编号 new part No.	名称 Part name	Name of parts	数量 Qty
1	280001001	面板	Face plate	1
2	280001002	面板垫	Face plate gasket	1
3	S073184404	防油板螺钉	Screw 1/8 × 44 L=4	1
4	280001004	面部防油板	Arm oil shield	1
5	991001005	挑线连杆销孔塞	Rubber plug	4
6	991001006	针杆曲柄螺孔塞	Rubber plug	1
7	991001007	三眼过线板	Thread guide rod	1
8	S094762809	后窗板螺钉	Screw 3/16 × 28 L=9	11
9	280001009	后窗板	Side plate	1
10	280001010	后窗板垫	Gasket	1
11	280001011	面板商标牌	Face plate	1
12	991001012	安全指示牌	Safety label	1
13	281007210	机壳组件	Machine cover	1
14	991001014	送料调节器孔塞	Rubber plug	2
15	S184782818	倒缝限位套紧固螺钉	Screw 3/16 × 28 L=18	1
16	991001016	倒缝限位套	Reverse feed lever stopper	1
17	991001017	下轴盲孔塞	Rubber plug	1
18	991001018	导线过线套	Magnet cord rubber	1
19	991001018-1	导线过线套	Magnet cord rubber	1
19-1	991001019	小夹线器组件	Thread tension asm	1
19-1	991001019-1	小夹线螺钉	Small clip line screw	1
19-2	991001019-2	小夹线过线板	Thread tension guide	1
19-3	991001019-3	小夹线板	Thread tension disk	2
19-4	991001019-4	小夹线簧	Thread tension spring	1
19-5	991001019-5	小夹线螺母	Thread tension nut	1
20	S114374006	小夹线组件支架螺钉	Screw	1
21	991001021	挑线防护罩	Thread take-up lever cover	1
22	S094762806	挑线防护罩螺钉	Screw 3/16 × 28 L=6	1
23	991001023	右线钩	Arm thread guide right	1
24	S074374006	右线钩螺钉	Screw 11/64 × 40 L=6	1
25	280001025	夹线器组件	Thread tension asm	1
26	S115952807	夹线器支紧螺钉	Screw 15/64 × 28 L=7	1
27	280001027	松线钉	Tension releasing	1
	991001028	针板 (薄料/4排牙)	Throat plate	1
28	991001028D	针板 (大针距/3排牙)	Throat plate	1
	0303D	针板 B2.6(大旋梭/3排牙)	Throat plate	1
30	S044374006	针板螺钉	Screw 11/64 × 40 L=6	2
31	991001031	左线钩	Arm thread guide left	1
32	S074374006	左线钩螺钉	Screw 11/64 × 40 L=6	1
33	991001033	面板调节孔塞	Rubber plug	1
34	S094762808	面板螺钉	Screw 3/16 × 28 L=8	3
35	991001035	推板组件	Slide plate asm	1
35-1	991001035-1	推板	Slide plate	1
35-2	991001035-2	推板簧	Bed slide spring	1
35-3	S082385602	推板簧螺钉	Screw 3/32 × 56 L=2.2	2
36	280001036	底板支柱	Bed slide spring	4
37	991001037	卷边器	Ruler stopper	1
38	S074374006	卷边器螺钉	Screw 11/64 × 40 L=6	1
39	280001039	油窗	Oil sight window	1
40	280001040	油封	O ring	1

41	991001041	绕线器组件	Winder assembly	1
41-1	991001041-1	挡圈E4	Ring E4	2
41-2	991001041-2	绕线轴基座	Bobbin base	1
41-3	991001041-3	绕线轴	Spool	1
41-4	991001041-4	O型圈P9	O ring	1
41-5	991001041-5	平垫圈S6	Flat washer	1
41-6	991001041-6	绕线轮	Winding wheel	1
41-7	991001041-7	螺钉M5X5	Screw M5x5	2
41-8	991001041-8	橡皮垫圈29	Rubber washer	1
41-9	991001041-9	梭芯夹凸轮组件	Shuttle cam asm.	1
41-9-1	991001041-9-1	梭芯夹凸轮	Shuttle cam	1
41-9-2	991001041-9-2	螺钉M5X5	Screw M5x5	1
41-9-3	991001041-9-3	梭芯夹轴	Shuttle clamp shaft	1
41-11	991001041-11	平垫圈S6	Flat washer	2
41-12	991001041-12	梭芯压臂柄	Shuttle arm handle	1
41-13	991001041-13	螺钉M4X12	Screw	1
41-14	991001041-14	梭芯夹	Bobbin clip	1
41-15	991001041-15	螺钉SM4.76	Screw	2
41-16	991001041-16	梭芯座	Bobbin base	1
41-17	991001041-17	绕线杠杆	Winding lever	1
41-18	991001041-18	弹簧	Spring	1
41-19	991001041-19	弹簧	Spring	1
41-20	991001041-20	O型密封圈S5	O type sealing ring	1
42	M080500810	绕线器螺钉	Bobbin screw	3
43	991001043	剖线刀	Knife	1
44	S093574005	剖线刀螺钉	Knife screw	2
45	991001045	绕线夹线器组件	Thread tension asm.	1
45-1	991001045-1	夹线螺母	Tension nut	1
45-2	991001045-2	夹线螺钉	Tension post	1
45-3	991001045-3	夹线弹簧	Tension spring	1
45-4	991001045-4	夹线板	Thread tension disk presser	2
45-5	991001045-5	过线板	Thread tension guide	1
45-6	991001045-6	夹线螺母(下)	Tension nut	1
46	208238001	电控	Motor cover	1
47	M180500835	电机罩壳紧固螺钉	Screw	4
48	3801202102	倒缝灯开关组件	Reverse seam lamp switch assembly	1
49	28001049	大线勾	Presser bar thread guide	1
50	991001050	倒缝灯开关支架	Switch support for reverse seam lamp	1
51	280001065	电子松线器过线橡胶塞	Rubber plug	1
52	S094762806	倒缝灯开关固定螺钉	Screw	1
53	S074374007	三眼线勾螺钉	Screw	1
54	991001054	油线板组件	Oil plate assembly	1
55	S093574016	油线板固定螺钉	Screw	2
56	991001056	绕线器垫片	Bobbin Washer	1
57	991001057	防油板垫片	Grease plate gasket	1
58	S15357406	大线勾紧定螺钉	Screw	1
59	280001063	操作面板出线橡胶塞	Rubber plug	1
60	991001058	橡胶塞	Rubber plug	1
61	280001065	电子松线器过线橡胶塞	Rubber plug	1

## 2. 上轴/挑线部件

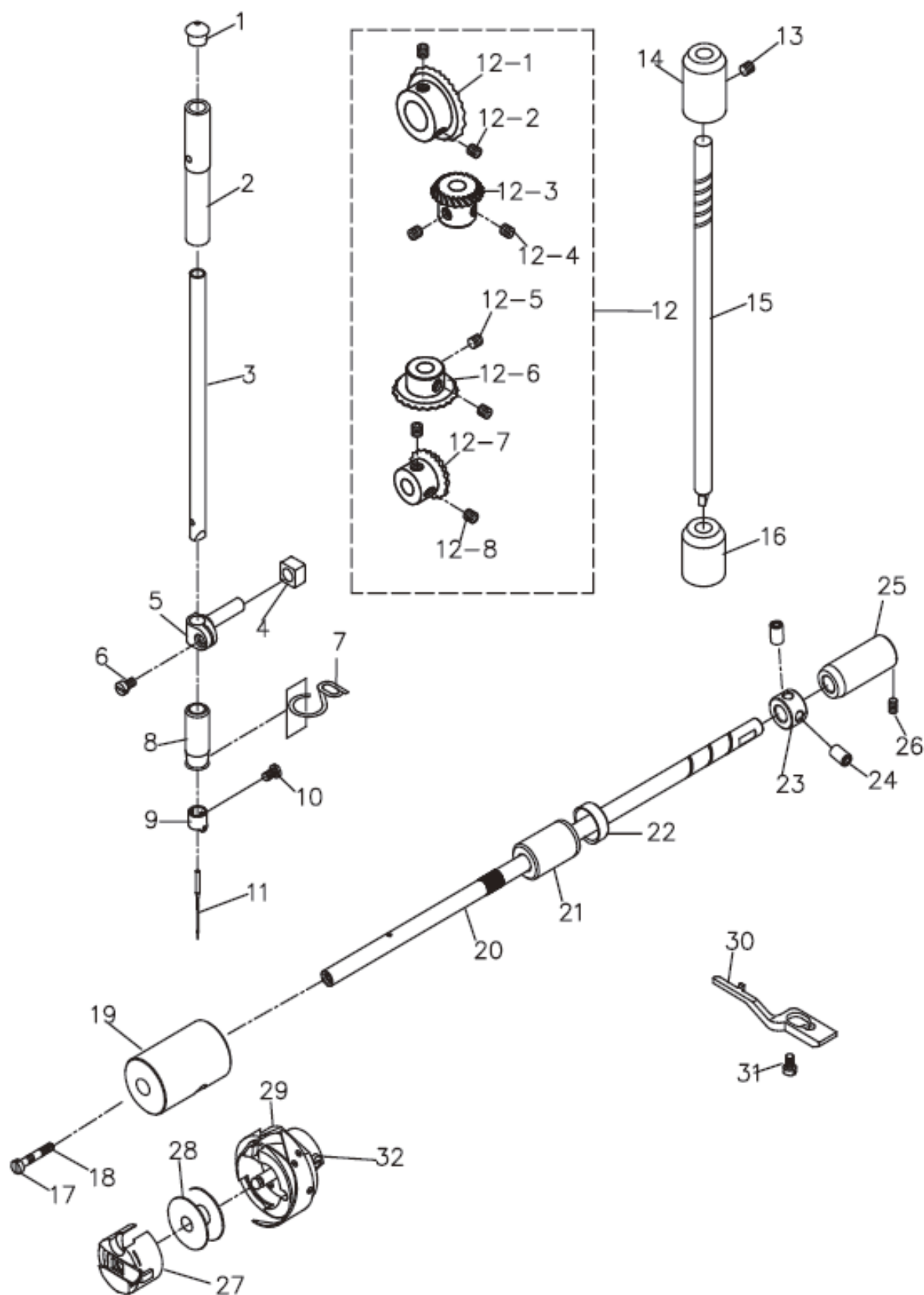
### MAIN SHAFT & THREAD-UP LEVER COMPONENTS



序号 Ref.No.	新编号 new part No.	名称 Part name	Name of parts	数量 Qty	备注 Note
1	991002001	挑线连杆销螺钉	Screw 15/64 × 28 L=10.5	1	
2	991002002	挑线连杆销	thread take-up crank shaft	1	
3	991002003	曲柄油量限制毡	Roller felt	1	
	991002004	挑线连杆组件	thread take-up lever asm	1	
4	991002004H	挑线连杆组件(厚料)	thread take-up lever asm (heavy duty)	1	
	991002004D	挑线连杆组件(铝制厚料)	thread take-up lever asm	1	
5	991002005	挑线杆滚针轴承	Needle bearing	2	
6	991002006	挑线曲柄	Needle bar crank	1	
	991002007H	挑线曲柄(厚料)	Needle bar crank (heavy duty)	1	
7	991002007	针杆连杆	Needle bar crank rod	1	
8	991002008	挑线曲柄左旋螺钉	Left screw 9/64 × 40 L=4.8	1	
	991002009	针杆曲柄组件	Needle bar crank asm	1	
9	991102009H	针杆曲柄组件(厚料)	Needle bar crank asm (heavy duty)	1	
9-1	S127142816	针杆曲柄紧固螺钉	Screw 9/32 × 28 L=16	1	
9-2	S116354006	挑线曲柄定位螺钉	Screw 1/4 × 40 L=6	2	
9-3	991002009-3	定位螺丝O型圈	Rubber O ring	1	
9-4	S077142815	针杆曲柄定位螺钉	Screw 9/32 × 28 L=15.5	1	
9-5	991002009-5	针杆曲柄	Needle bar crank	1	
10	991002010	送料偏心轮组件	Feed drive eccentric cam asm.	1	
10-1	S076354011	送料偏心轮螺钉	Screw 1/4 × 40 L=11	2	
10-2	991002010-2	送料偏心轮	Feed drive eccentric cam	1	
11	S093574006	送料偏心轮盖板螺钉	Screw 9/64 × 40 L=6	2	
12	991002012	上轴后套	Mainshaft back bush	1	
13	991002013	上轴后套油封	Oil seal of mainshaft back bush	1	
14	991002014	拾牙连杆轴挡圈	Snap ring	1	
15	991002015	上轴挡圈	Thrust collar asm	1	
16	S116354006	上轴挡圈螺钉	Screw 1/4x40 L=6	2	
17	991002017	上轴前轴套	Main shaft front bushing asm.	1	
18	991002018	上轴中轴套	Bushing intermediate	1	
19	991002019	挑线杆橡皮套	Rubber	1	
20	991002020	挑线连杆销供油线	Thread take-up crank shaft felt	1	
21	M140500806	手轮螺钉	Screw	2	
22	280002022	手轮	Hand wheel	1	
23	991002023	上轴	Main shaft, upper	1	
24	991002024	上轴油量调节销	Oil amount adjusting pin	1	
25	991002025	上轴油量调节销O型圈	Rubber ring	1	
26	991002026	送料偏心轮盖板	Thrust collar	1	
27	S145952808	上轴中轴套螺钉	Screw	1	
28	991002028	联轴器(A)	Connect block A	1	
29	M140601008	联轴器螺钉	Screw M6 × 6	3	
30	991002030	联轴器(B)	Connect block B	1	
31	M140601006	联轴器(B)固定螺钉	Screw	3	
32	208238002	直驱电机	Motor asm.	1	
33	M180500822	电机安装螺钉M5X22	Screw	4	
34	991002034	电机安装螺钉垫片	Washer	4	

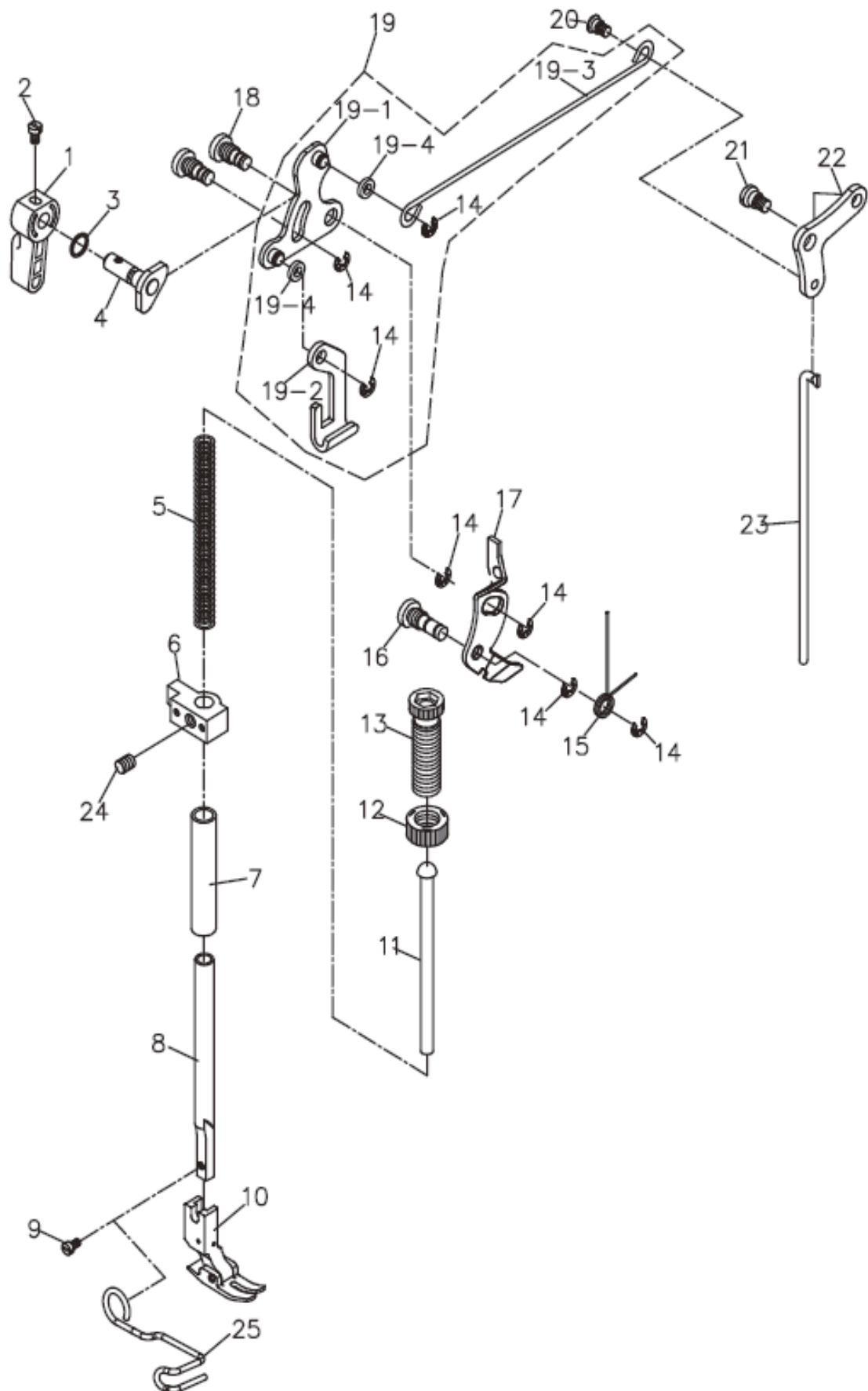
### 3. 针杆/竖轴/下轴部件

### NEEDLE BAR, UPRIGHT SHAFT & HOOK DRIVING SHAFT COMPONENTS



序号 Ref.No.	新编号 new part No.	名称 Part name	Name of parts	数量 Qty	备注 Note
1	991003001	针杆上孔塞	Upper Cap	1	
2	991003002	针杆上套	Needle bar bushing upper	1	
3	991003003	针杆	Needle bar	1	
	991003003H	针杆(厚料)	Needle bar (heavy duty)	1	
4	280002004	针杆连接柱滑块	Slide block	1	
5	991003004	针杆连接柱	Needle rod holder asm.	1	
6	S073574007	针杆连接柱螺钉	Screw 9/64 × 40 L=7.5	1	
7	991003007	针杆下套线钩	Needle bar thread guide	1	
8	991003008	针杆下套	Needle bar bushing lower	1	
9	991003010	针杆过线环	Needle bar thread guide	1	
10	S083184405	机针螺钉	Screw 1/8 × 44 L=4.8	1	
11	991003011	机针	Needle DBx1 #14	1	
	991003011H	机针 DPx5 #21	Needle DPx5 #21	1	
12	991003012	伞齿轮组件	Gear pinion asm.	1	
12-1	991003014	上轴伞齿轮	Gear asm.	1	
12-2	S116354008	伞齿轮螺钉	Screw 1/4 × 40 L=8	2	
12-3	991003016	竖轴上伞齿轮	Pinion asm.	1	
12-4	S116354008	伞齿轮螺钉	Screw 1/4 × 40 L=8	2	
12-5	S116354008	伞齿轮螺钉	Screw 1/4 × 40 L=8	2	
12-6	991003019	竖轴下齿轮	Gear asm.	1	
12-7	991003021	下轴伞齿轮	Pinion asm.	1	
12-8	S116352808	伞齿轮螺钉	Screw	2	
13	S145952808	竖轴上套紧固螺钉	Screw	1	
14	991003017	竖轴上轴套	Upright shaft bushing,lower	1	
15	991003014	竖轴	Upright shaft	1	
16	991003017	竖轴下轴套	Upright shaft bushing,lower	1	
17	991003028	下轴限油螺钉	Oil seal screw	1	
18	991003027	下轴限油芯	Oil wick	1	
19	991003026	下轴前轴套	Lower shaft front metal	1	
20	991003022	下轴	Lower shaft	1	
21	991006047	下轴中套	Lower axle sleeve	1	
22	280002022	下轴中套油封	Oil Seal	1	
23	991003020	下轴挡圈	Thrust collar asm.	1	
24	S074374005	下轴挡圈螺钉	Screw 11/64 × 40 L=5	2	
25	991003018	下轴后轴套	Bushing rear	1	
26	S145952808	下轴后轴套螺钉	Screw	1	
27	991003030	梭壳	Bobbin case	1	
28	991003029	梭芯	Bobbin	1	
29	991003015	旋梭	Hook asm.	1	
30	991003023	旋梭定位勾	Bobbin case holder	1	
31	S084374011	旋梭定位勾螺钉	Screw SM11/64 × 40 L=11	1	
32	991003032	旋梭螺钉	Screw	3	

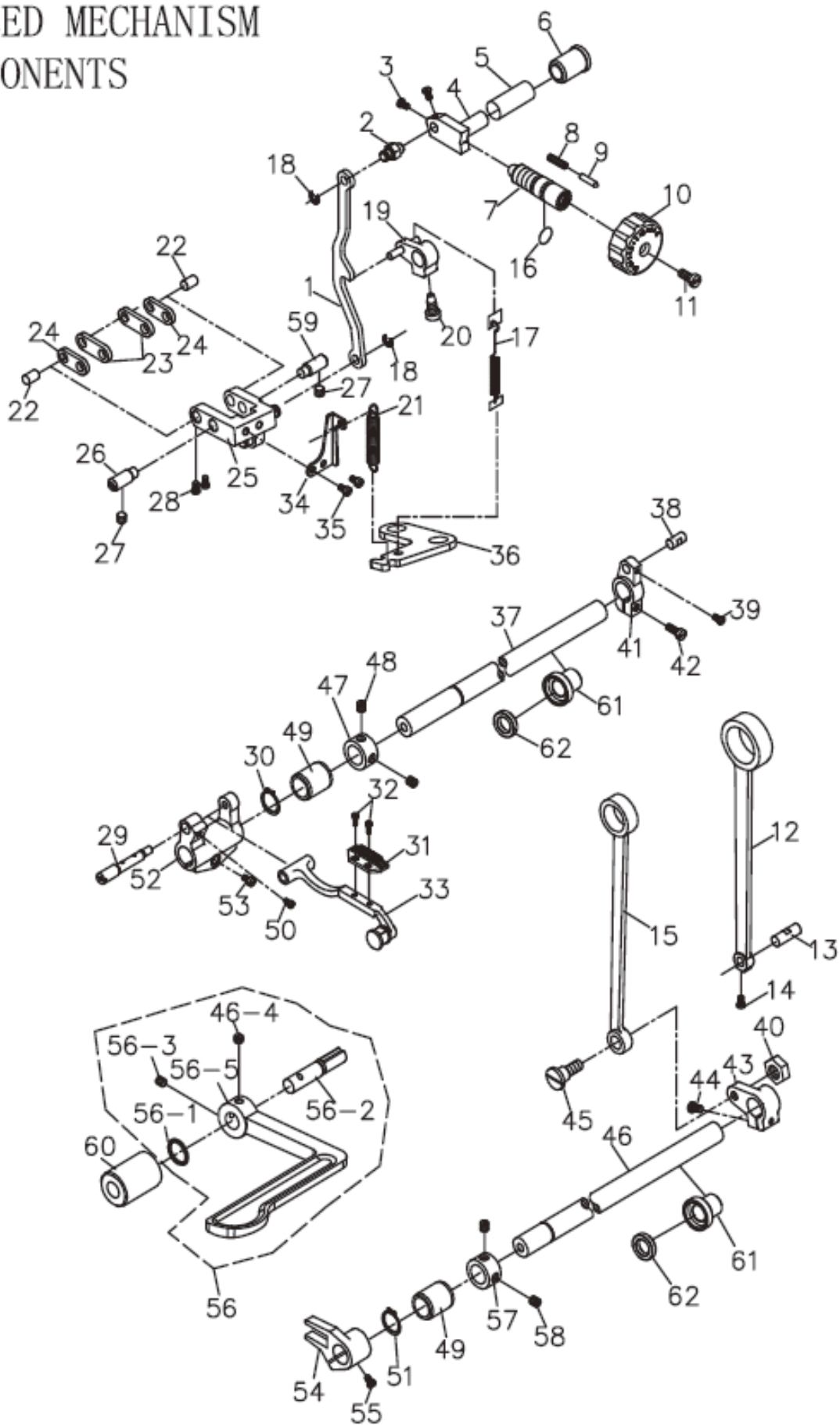
# 4. 压杆部件 HAND LIFTER COMPONENTS



序号 Ref.No.	新编号 new part No.	名称 Part name	Name of parts	数量 Qty	备注 Note
1	991004001	压脚扳手	Presser foot hand lifter	1	
2	991004002	压脚扳手螺钉	Screw 9/64 × 40 L=10	1	
3	991004003	压脚扳手轴O型圈	Rubber ring	1	
4	991004004	压脚扳手凸轮部件	hand lifter cam asm	1	
5	991004029	调压簧	Presser adjurting spring	1	
	991004029H	调压簧(厚料)	Presser adjurting spring H	1	
6	280004006	压杆导架	Presser bar guide bracket	1	
7	991004005	压杆轴套	Presser bar bushing lower	1	
8	991004031	压杆	Presser bar	1	
9	S073574011	压脚螺钉	Screw 9/64 × 40 L=11	1	
	991004009	压脚部件	Presser foot asm	1	
10	991004009H	压脚部件(厚料)	Presser foot asm H	1	
	991004009D	压脚部件(大旋梭)	Presser foot asm (Big hook)	1	
11	991004033	调压导杆	Presser guide bar	1	
12	991004027	调压螺母	Presser adjurting screw nut	1	
	991004027H	调压螺母(厚料)	Presser adjurting screw nut H	1	
13	991004028	调压螺钉	Presser spring regulator	1	
	991004028H	调压螺钉	Presser spring regulator H	1	
14	991004008	挡圈	E-ring 5	7	
15	991004022	松线顶板复位簧	Tension release return spring	1	
16	991004026	松线顶板螺纹销	Tension release shaft pin	1	
17	280004017	松线顶板	Thread tension relese wire	1	
18	991004007	前杠杆螺纹销	Link shaft	2	
19	280004019	前杠杆组件	Knee lifting cross rod asm	1	
19-1	280004019-1	抬压脚前杠杆	Hand lifter link	1	
19-2	991004032-2	压脚升降板	Lifting lever	1	
19-3	991004032-3	抬压脚拉杆	Knee lifting cross rod	1	
19-4	280004019-4	垫圈	Washer	2	
20	991004010	抬压脚拉杆螺钉	Hinge screw	1	
21	991004011	后杠杆轴拉螺钉	Hinge screw	1	
22	991004013	抬压脚后杠杆	Lifting lever link	1	
	991004013-H	抬压脚后杠杆(厚料)	Lifting lever link(Thick material)	1	
23	280004023	抬压脚顶杆	Knee lifter connecting rod	1	
24	S126354006	导架螺钉	Screw	1	
25	991004036	压脚保护架	Presser foot protector	1	

# 5. 送料部件

## FEED MECHANISM COMPONENTS

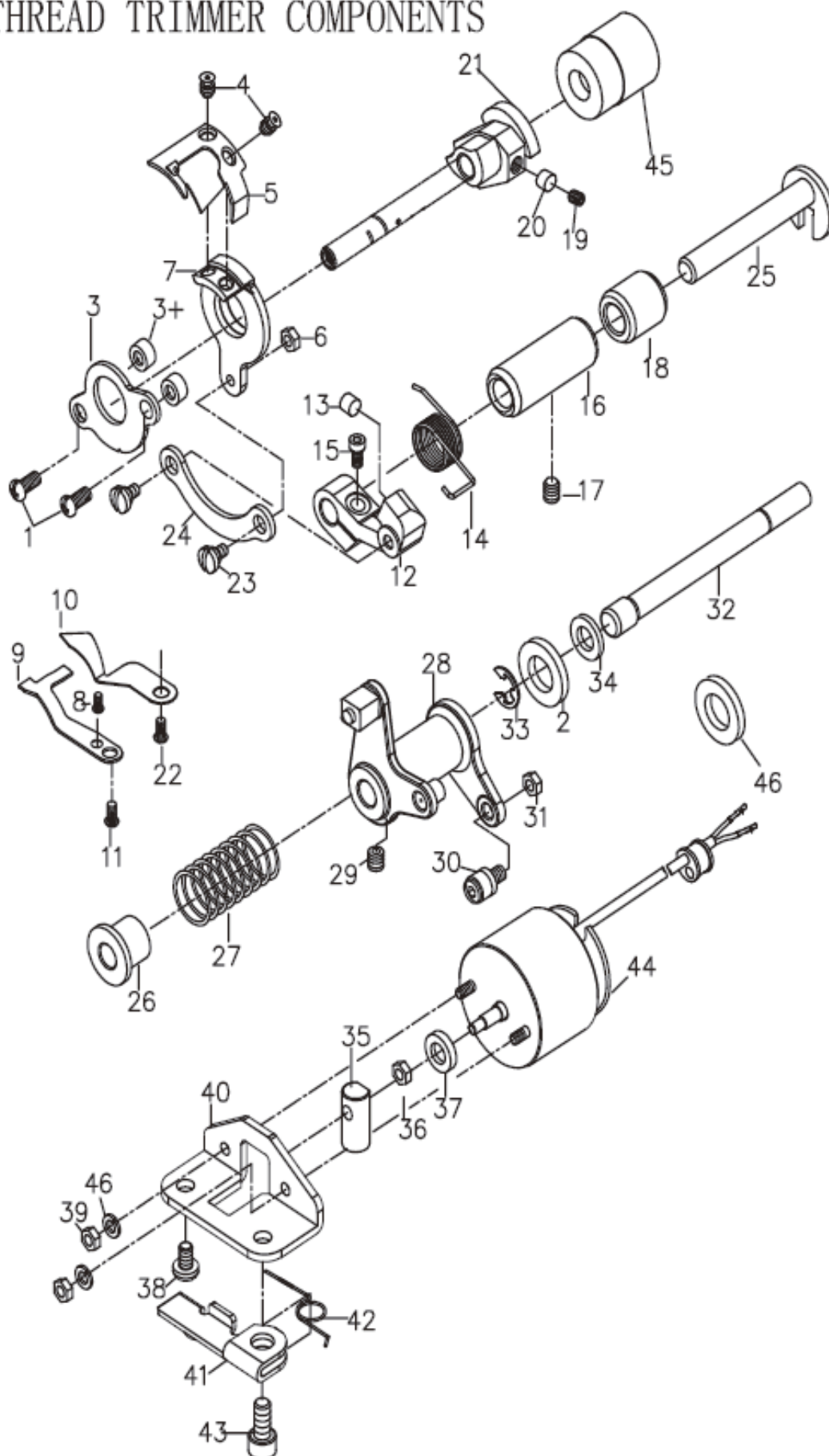


序号 Ref.No.	新编号 new part No.	名称 Part name	Name of parts	数量 Qty	备注 Note
1	991005001	倒送料连杆	Reverse feed adjust rod	1	
	991005001D	倒送料连杆(大旋梭)	Reverse feed adjust rod(big hook)	1	
2	991005002	倒送料连杆销	Reverse feed regulator pin	1	
3	S043574006	倒送料连杆销螺钉	screw	2	
3+	M090500806	送料调节器紧固螺钉	screw	2	
	991005004	送料调节器	Feed regulator	1	
4	991005004D	送料调节器(大针距)	Feed regulator (Big needle distance)	1	
5	991005005	送料调节器轴套	Feed regulator bushing	1	
6	991005006	送料调节器轴	Feed regulator shaft	1	
7	991005007	针距调节螺杆	Feed regulator screw	1	
8	991005008	止动销弹簧	Spring	1	
9	991005009	止动销	Feed adjustpin	1	
10	280005010	针距旋钮 (0-5)	Needle distance knob(0-5)	1	
11	S074762818	针距旋钮螺钉	Screw 3/16 × 28 L=18	1	
12	991005012	送料连杆	Rocker shaft connecting rod	1	
13	991005013	送料连杆销	Walking foot long pin	1	
14	S083574004	送料连杆销螺钉	Screw 9/64 × 40 L=4	1	
15	991005015	抬牙连杆	Connecting rod	1	
16	991005016	针距调节螺杆O型圈	Rubber ring	1	
17	991005017	摆动板座复位簧	Feed reverse spring	1	
18	991005018	挡圈E5	E-ring 5	2	
	991005019	倒送料曲柄组件	Feed reverse arm asm.	1	
19	991005019D	倒送料曲柄组件(大针距)	Feed reverse arm asm(Big needle	1	
20	S074762815	倒送料曲柄螺钉 Screw	Feed reverse arm screw	1	
21	991005021	倒送料拉簧	Spring	1	
22	991005022	短摆动板连接销	Walking foot short pin	2	
23	991005023	长摆动板	Connecting link long pin	2	
24	991005024	短摆动板	Connecting link short pin	2	
25	991005025	摆动座	Feed adjust link asm	1	
26	991005026	摆动板座右销	Adjusting link fulcrum shaft	1	
27	991002001	左右销螺钉	Screw 15/64 × 28 L=7	2	
28	S123574005	连杆销螺钉	Screw 9/64 × 40 L=5	2	
29	991005029	牙架偏心销	Feed bar shaft	1	
30	991005030	送布轴轴用挡圈	Retaining ring	1	
	991005031	送布牙	Feed dog	1	
	991005031H	送布牙(厚料/3排牙)	Feed dog (H. 3 row)	1	
31	991005031D	送布牙(大针距/3排牙)	Feed dog (big distance/3 row)	1	
	0303D	送布牙(大旋梭/3排牙)	Feed dog (big hook, 3 row)	1	

32	S073184406	送布牙螺钉	Screw 1/8 × 44 L=6	2
	991005033	牙架部件	Feed bar asm	1
33	991005033D	牙架部件(大旋梭)	Feed bar asm (big hook)	1
34	991005034	摆动板座复位板	Adjusting link spring guide	1
35	S074374007	复位板紧固螺钉	Screw 11/64 × 40 L=7	2
36	991005036	拉簧固定板	Feed spring hood	1
37	991005037	送布轴	Feed rocker shaft	1
38	991005038	送布曲柄销	Walking foot middle pin	1
39	S073574008	曲柄销螺钉	Screw 9/64 × 40 L=8	1
40	N217142805	拾牙连杆轴位螺母	Nut 9/32 × 28	1
41	991005041	送布曲柄	Feed rocker shaft crank	1
41	991005041D	送布曲柄 (大针距15mm)	Feed rocker shaft crank	1
42	S074762815	送布曲柄螺钉	Screw 3/16 × 28 L=15	1
43	991005043	拾牙后曲柄	Lifting rocker asm.	1
44	S074762815	拾牙后曲柄螺钉	Screw 3/16 × 28 L=15	1
45	991005045	拾牙连杆轴位螺钉	Hinge screw	1
46	991005046	拾牙轴	Feed driving shaft	1
47	991005047	送布轴挡圈	Thrust collar asm.	1
48	S126354004	送布轴挡圈螺钉	Screw 1/4 × 40 L=4	2
49	991005049	送布轴前轴套	Feed rocker shaft bushing	2
50	S084374007	牙架销螺钉	Screw 11/64 × 40 L=7	2
51	991005051	拾牙轴轴用挡圈	Retaining ring	1
52	991005052	牙架座 (牙架曲柄)	Feed bar crank asm.	1
53	S074762812	牙架座螺钉	Screw 3/16 × 28 L=12	1
54	991005054	拾牙叉	Driving shaft crank asm.	1
55	S084374012	拾牙叉螺钉	Screw 11/64 × 40 L=12	1
56	280005056	倒送料扳手组件	Reverse feed control lever asm.	1
56-1	991005056-1	倒送料轴O型圈	Rubber ring	1
56-2	991005056-2	倒送料轴	Feed reverse shaft	1
56-3	S145952808	倒送料扳手螺钉	Screw	1
56-4	S14592810	倒送料扳手定位螺钉	Screw	1
56-5	280005056-5	倒送料扳手	Reverse frnd control lever	1
57	991005057	拾牙轴挡圈	Thrust collar	1
58	S126354004	拾牙轴挡圈螺钉	Screw 1/4x40 L=6	2
59	991005059	摆动轴板座右销	Adjusting link fulcrum shaft	1
60	991005060	倒送料轴轴套	Axle Sleeve	1
61	280005061	送布、拾牙中套	Axle Sleeve	2
62	280005062	送布、拾牙中套油封	Oil Seal	2

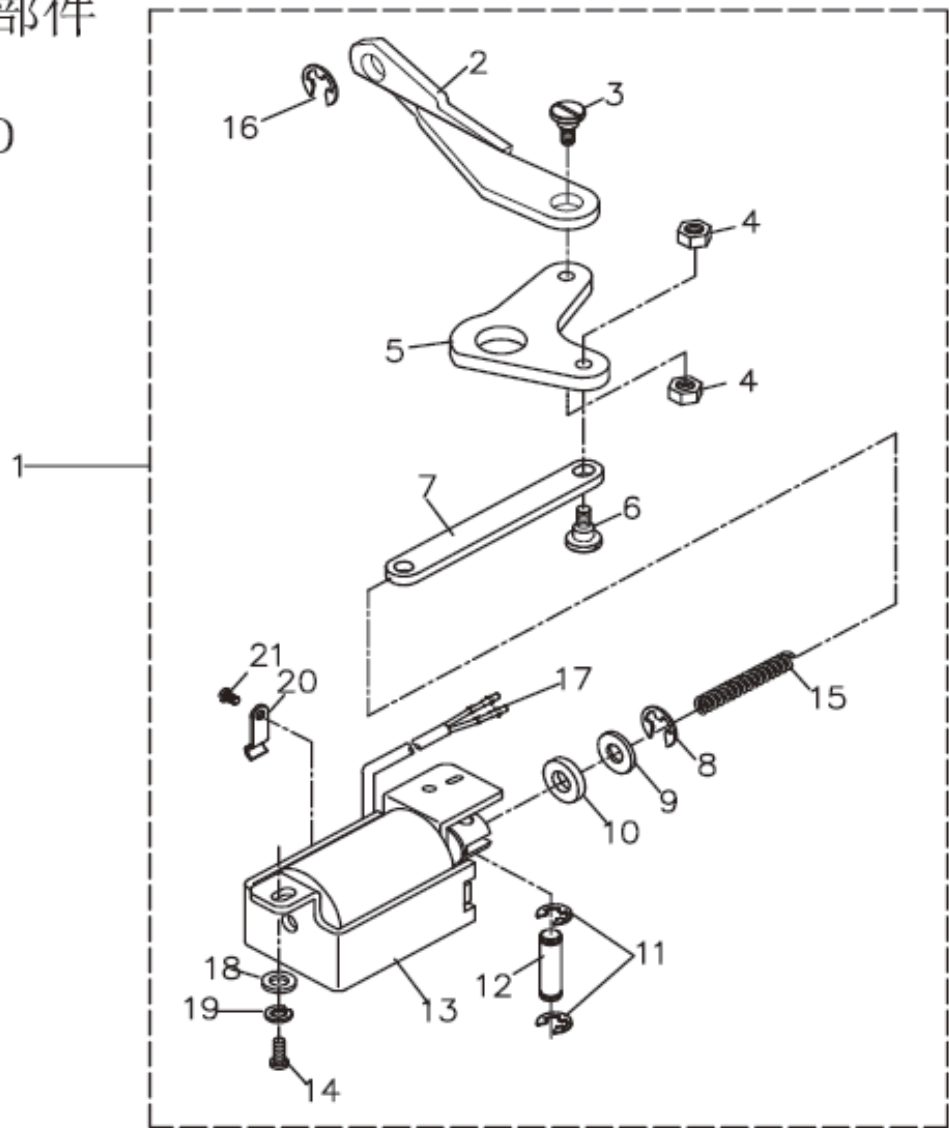
## 6. 自动切线部件

### THREAD TRIMMER COMPONENTS

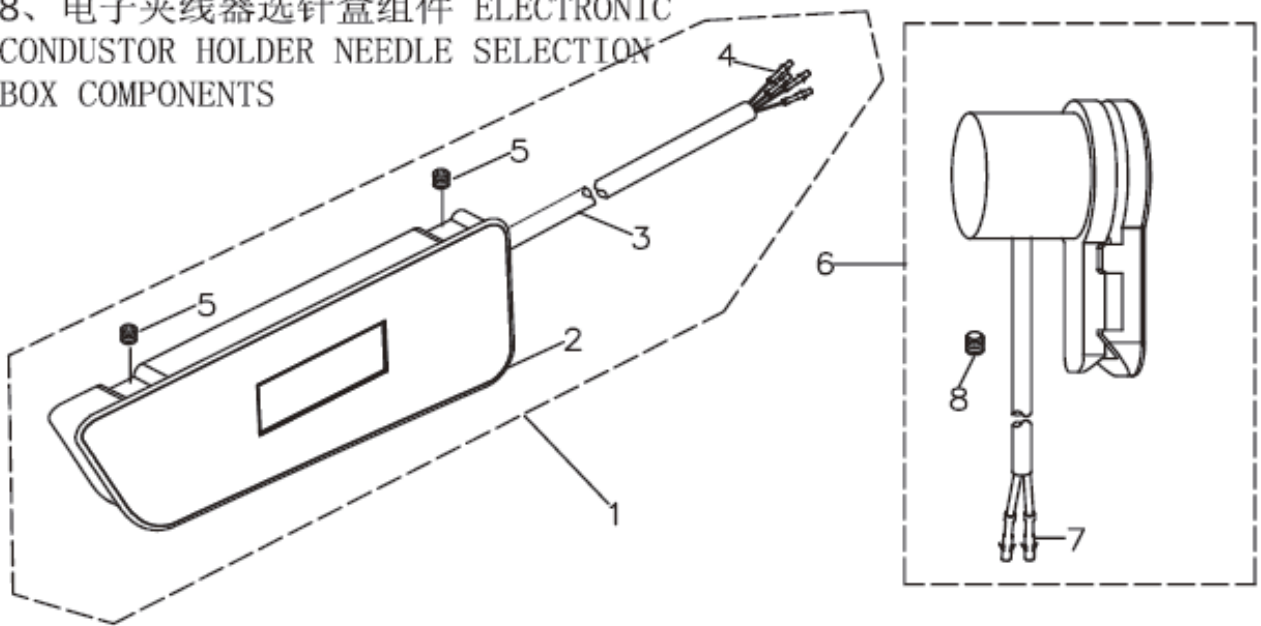


序号 Ref.No.	新编号 new part No.	名称 Part name	Name of parts	数量 Qty	备注 Note
1	S094374012	螺钉M64" x40 L=12	Screw SM11/64x40 L=12	2	
2	991006049	电磁铁垫片	Washer	1	
3	991006003	刀架压板	Partiality shank	1	
3+	991006003+	刀架压板垫圈	Partiality shank washer	2	
4	991006004	动刀固定螺钉	Screw	2	
	991006005	动刀	Motorial knife	1	
5	991006005H	动刀(厚料)	Motorial knife (heavy duty)	1	
	991006005D	动刀(大旋梭)	Motorial knife (big hook)	1	
6	991006006	螺母SM11/64" x40	Nut SM11/64x40	1	
	991006007	动刀架	Knife bracket	1	
7	991110008	动刀架(9911机型)	Knife bracket	1	
8	S043574006	定刀调节螺钉	Screw	1	
	991006009	割线刀	Secant knife	1	
9	991006009D	割线刀(大旋梭)	Secant knife(big hook)	1	
10	991006010	分线片	Protect needle patch	1	
11	S083574004	螺钉SM9/64" x40 L=4	Screw SM9/64x40 L=4	1	
12	991006012	切刀驱动曲柄	Thread shear rock arm	1	
13	991006013	驱动曲柄止动块	Positioning block	1	
14	991006014	弹簧	Spring	1	
15	S094763214	螺钉SM3/16" x32 L=14	Screw SM3/16x32 L=14	1	
16	991006016	切线轴套	Axle sleeve	1	
17	S125952806	螺钉	Screw SM15/64x28 L=6	1	
18	991006018	驱动曲柄轴衬套	Short bush	1	
19	S156354010	螺钉SM1/4" x40 L=10	Screw SM1/4x40 L=10	2	
20	991006020	切线凸轮垫	Pole	2	
21	991006021	凸轮	Thread shear cam	1	
22	S073574006	螺钉SM9/64" x40 L=5	Screw SM9/64x40 L=6	1	
23	991006023	连杆螺钉	Screw	2	
24	991006024	连杆	Knife shaft connecting rod	1	
25	991006025	切刀驱动曲柄轴	Cutter crank shaft	1	
26	991006026	扭簧端盖	Spring cover	1	
27	991006027	切线凸轮复位弹簧	Spring	1	
28	991006028	切线凸轮曲柄组件	Thread shear rock arm shaft	1	
29	S116354006	螺钉SM11/64" x40	Screw	1	
30	991006030	滚柱	Roll shaft assy	1	
31	991006031	螺母	Nut	1	
32	991006032	切刀驱动轴	Thread shear shaft	1	
33	991006033	挡圈E6	Retaining ring	1	
34	991006034	电磁铁缓冲垫	Magnetic plug cushion mat	1	
35	991006035	切线电磁铁顶销	Magnetic plug pin	1	
36	991006036	螺母SM1/4" x40	Nut SM1/4x40	1	
37	991006037	垫圈	Washer	1	
38	S075952810	螺钉	Screw	1	
39	991006039	螺母M4	Nut M4	2	
40	991006040	切线电磁铁支架	Magnetic plug cushion mat	1	
41	991006041	松线座	Thread loose seat	1	
42	991006042	弹簧	Spring	1	
43	991006043	螺钉	Screw	1	
44	991006044	剪线电磁铁组件	Magnetic solenoid asm	1	
45	991006047	下轴中套	Bushing,lower shaft	1	
46	991006048	垫圈4.5x8x0.5	Washer 4.5x8x0.5	2	

7、自动倒缝部件  
 AUTOMATIC  
 REVERSE FEED  
 COMPONENTS



8、电子夹线器选针盒组件 ELECTRONIC  
 CONDUTOR HOLDER NEEDLE SELECTION  
 BOX COMPONENTS



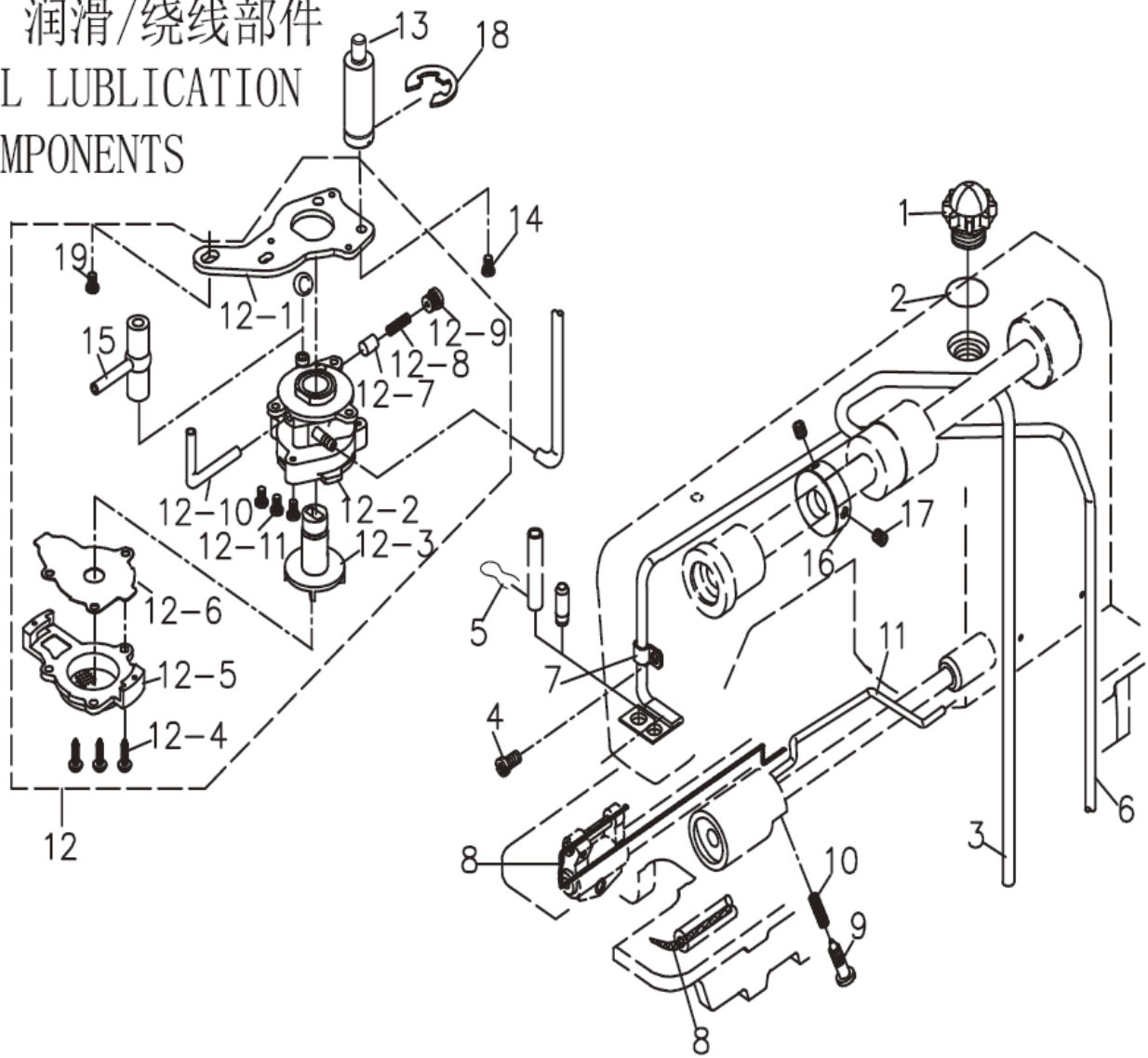
### 7.自动倒缝部件/AUTOMATIC REVERSE FEED COMPONENTS

序号 Ref.No.	新编号 new part No.	名称 Part name	Name of parts	数量 Qty	备注 Note
1	991007001	自动倒缝部件	Reverse feed switch asm.	1	
2	991007002	自动倒缝拉杆	Reverse feed connecting shaft	1	
	991007002H	自动倒缝拉杆	Reverse feed connecting shaft	1	
3	991007003	自动倒缝拉杆螺钉	Reverse feed connecting shaft screw	1	
4	991007004	螺母	Nut	2	
5	991007005	倒缝曲柄	Connecting arm	1	
6	991007006	倒缝曲柄螺钉	Connecting arm screw	1	
7	991007007	倒缝铁芯连杆 (57mm)	Reverse feed connecting link	1	
	991007007D	倒缝铁芯连杆(大旋梭, 大针)	Reverse feed connecting link	1	
8	991007008	倒缝铁芯挡圈	E-ring 20	1	
9	991007009	垫片	Washer 16x24x2.6	1	
10	991007010	橡胶垫片	Rubber plunger	1	
11	991007011	连接销卡簧	E-ring 4	2	
12	991007012	倒缝铁芯连接销	Plunger arm pin	1	
13	991007013	倒缝电磁铁	Reverse feed magnet asm.	1	
14	S075952812	电磁铁紧固螺钉	Screw 15/64x28 L=12	2	
15	991007015	连杆定位簧	Plunger spring	1	
16	991007017	卡簧	Jump ring	1	
17	991007018	导线插针	Pin contact	2	
18	991007019	平垫片	Washer	2	
19	991007020	弹簧垫片	Spring washer	2	
20	991007021	油管压板	Tubing clamp	1	
21	S094762806	油管压板螺钉	Screw	1	

### 8.电子夹线器, 选针盒部件/ELECTRONIC CONDUCTOR HOLDER NEEDLE SELECTION BOX COMPONENTS

序号 Ref.No.	新编号 new part No.	名称 Part name	Name of parts	数量 Qty	备注 Note
1	208238003Z	选针盒组件	Needle selection box asm.	1	
2	208238003	选针盒	Needle selection box	1	
3	991008003	电线	2-core cable cord	1	
4	991008004	插针	Contact pin	1	
5	S144374006	螺钉	Screw SM11/64"x40 L=6	2	
6	991008005	电子夹线器组件	Electroni conductor holder asm.	1	
7	991008006	插针	Contact pin	1	
8	S124762805	电子夹线器固定螺钉	Screw 3M3/16X28 L=5	1	

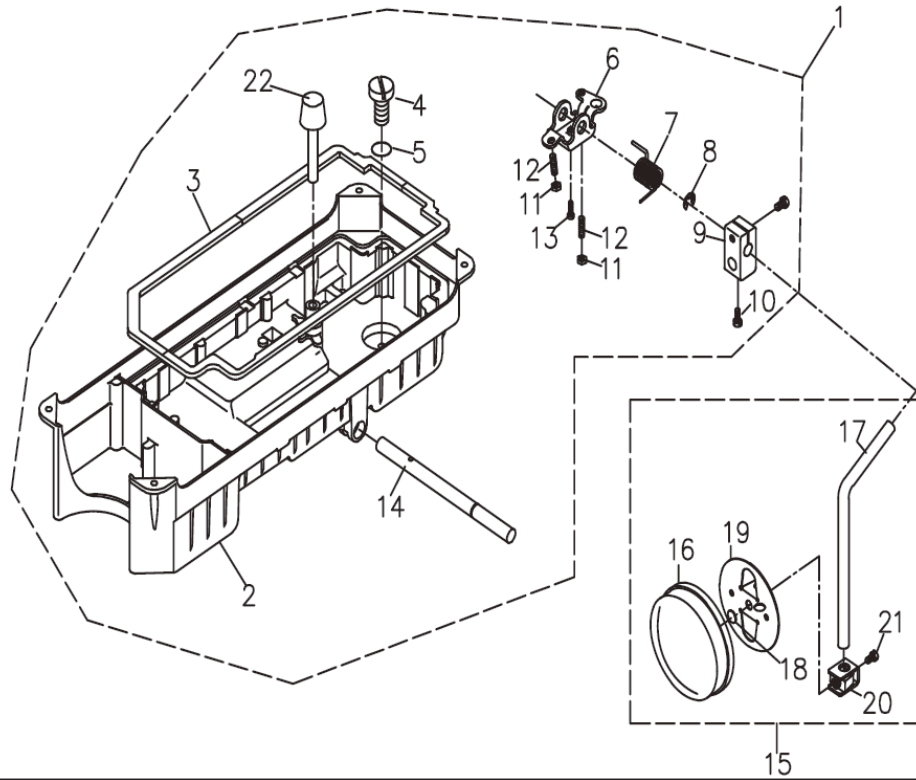
9、润滑/绕线部件  
OIL LUBRICATION  
COMPONENTS



序号 Ref.No.	新编号 new part No.	名称 Part name	Name of parts	数量 Qty	备注 Note
1	991009001	油窗	Oil sight window	1	
2	991009002	油窗O型圈	Rubber ring	1	
3	991009003	上轴供油管	Main shaft oil tube	1	
	991009003B	上轴供油管B	Main shaft oil tube B	1	
4	S094762806	回油管夹螺钉	Screw 3/16x28 L=6	1	
5	991009005	回油毡夹	Oil felt presser	1	
6	991009006	回油管	Oil return tube asm	1	
7	991009007	回油管夹	Holder	1	
8	991009008	送料轴油线	Oil wick	1	
9	991009009	旋梭油量调节螺钉	Oil adjusting screw	1	
10	991009010	旋梭油量调节簧	Spring	1	
11	991009011	旋梭供油管	Oil tube	1	
12	991009012	油泵部件	Lubricating oil pump asm	1	
12-1	991009012-1	油泵安装板	Oil pump installing base	1	
12-2	991009012-2	油泵体	Oil pump	1	
12-3	991009012-3	油泵叶轮	Oil pump impeller	1	
12-4	991009012-4	油泵盖螺钉	Screw D=3 l=10	3	
12-5	991009012-5	油泵盖	Lubricating oil pump cover	1	
12-6	991009012-6	油泵叶轮托板	Oil pump impeller cover	1	
12-7	991009012-7	回油柱塞	Plunger	1	
12-8	991009012-8	柱塞簧	Plunger spring	1	
12-9	991009012-9	柱塞螺钉	Plunger screw	1	
12-10	991009012-10	下轴供油管	Hook driving shaft oil tube	1	
	991009012-10+	下轴供油管(四自动)	Hook driving shaft oil tube	1	
12-11	M070300508	油泵安装螺钉	Screw M3 L=8	3	
13	991009013	油泵连接螺柱	Oil pump support,large	1	
14	S074374010	油泵螺钉	Screw	1	
15	991009015	供油管接头	Rubber joint	1	
16	991009016	绕线器驱动轮	Bobbin pulley	1	
17	S144374006	绕线器驱动轮螺钉	Screw	2	
18	991009017	卡簧	Jump ring	1	
19	S075952510	油泵螺钉	Screw 15/64x28 L=10	1	

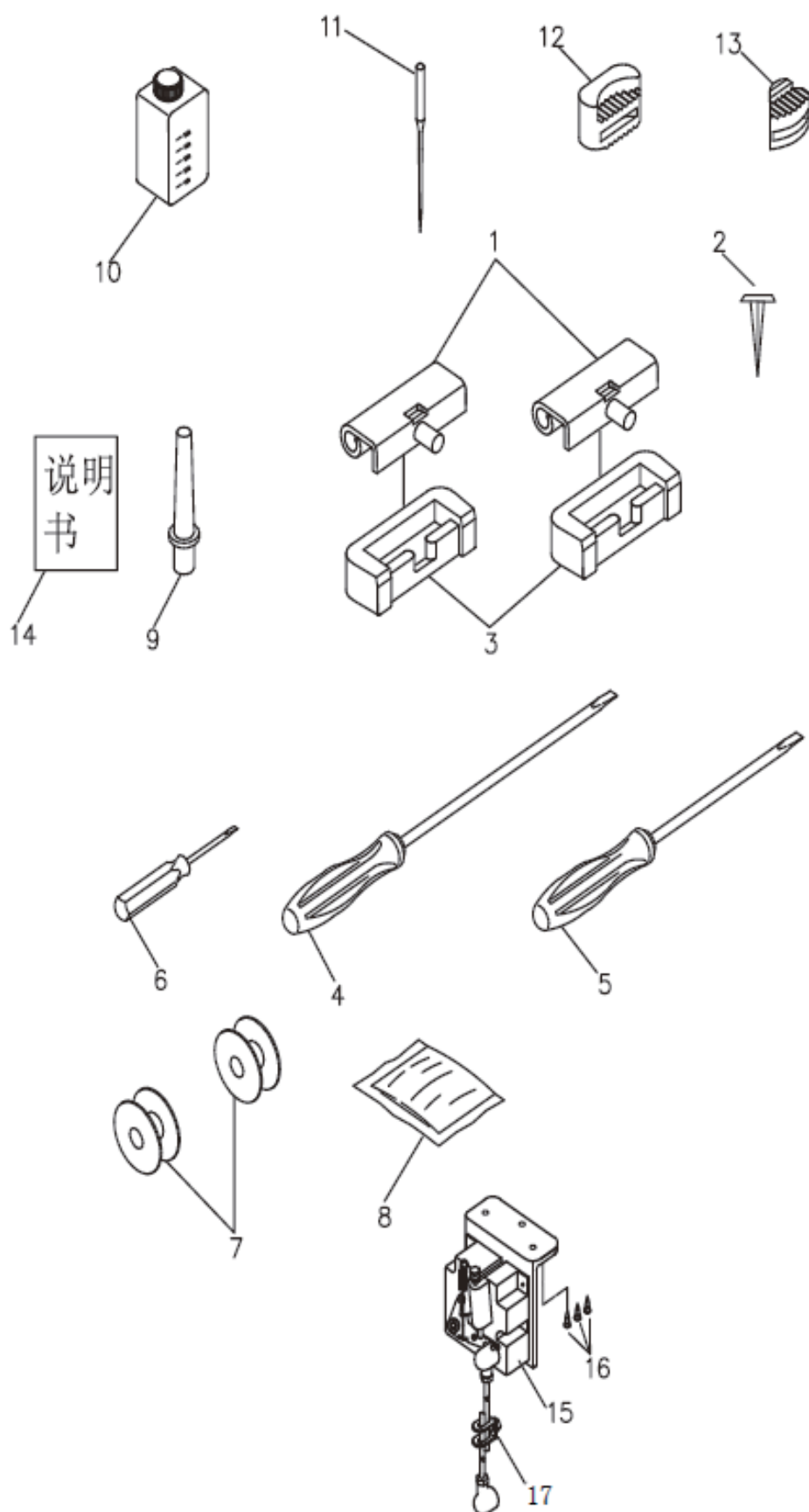
# 10. 油盘部件

## OIL RESERVOIR COMPONENTS



序号 Ref.No.	新编号 new part No.	名称 Part name	Name of parts	数量 Qty	备注 Note
1	991010001	油盘部件	Oil reservoir asm	1	
2	991010002	油盘	Oil reservoir	1	
3	991010003	油盘垫	Oil reservoir gasket	1	
4	S077942407	排油孔螺钉	Screw 5/16x24 L=7	1	
5	991010005	排油孔螺钉O型圈	Rubber ring	1	
6	991010006	抬压脚双向曲柄	Knee lifting rotating arm	1	
7	991010007	双向曲柄扭簧	Spring	1	
8	991010008	抬压脚轴开口挡圈	E-ring 10	1	
9	991010009	抬压脚操纵杆接头	Vertical shaft fitting arm	1	
10	991010010	操纵杆接头螺钉	Screw	2	
11	N210601006	双向曲柄限位调节螺母	Nut M6	2	
12	M120601030	双向曲柄限位调节螺钉	Screw M6 L=30	2	
13	M190601018	双向曲柄螺钉	Screw M6 L=17.5	1	
14	991010014	抬压脚轴	Knee press cross shaft	1	
15	991010015	操纵杆部件	Knee pan plate asm	1	
16	991010016	操纵杆软垫	Knee pan plate cover	1	
17	991010017	操纵杆	Knee pan upright shaft	1	
18	991010018	操纵杆垫	Knee pan plate rubber	1	
19	991010019	操纵板	Knee pan plate	1	
20	991010020	操纵杆接头	Knee pan plate support	1	
21	M190601012	接头螺钉	Screw M6 L=12	1	
22	991010022	抬压脚顶杆	Knee lifter push rod	1	

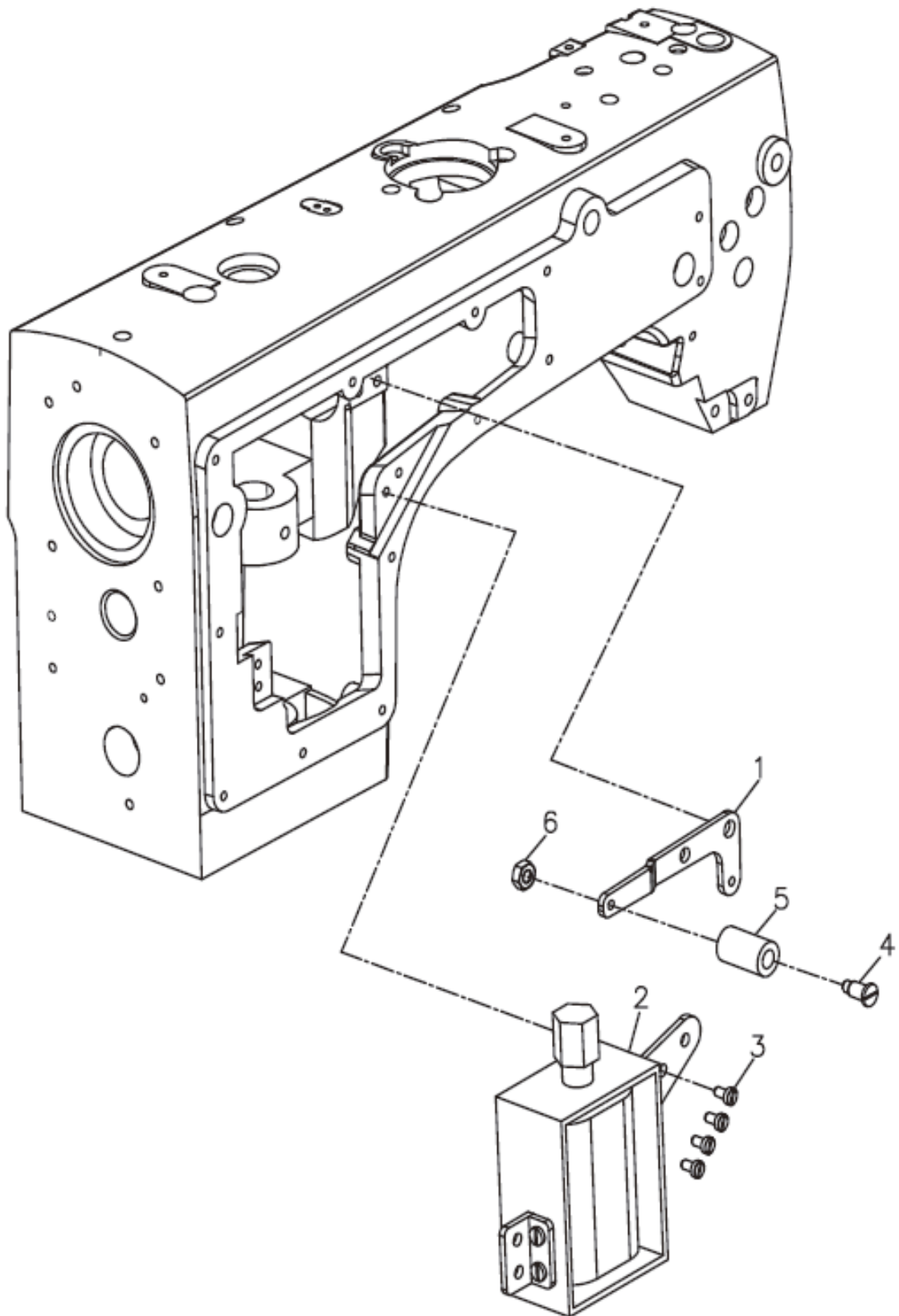
# 11附件 ACCESSORIES



序号 Ref.No.	新编号 new part No.	名称 Part name	Name of parts	数量 Qty	备注 Note
1	991014001	机头连接钩组件	Machine hinge plate asm.	2	
2	991014002	机头连接钩座钉	Nail	4	
3	991014003	机头连接钩座	Machine hinge plate	2	
4	991014004	螺丝刀(大)	Screw driver,large	1	
5	991014005	螺丝刀(中)	Screw driver.medium	1	
6	991014006	螺丝刀(小)	Screw driver.small	1	
7	991014007	梭心	Bobbin	2	
8	991014008	机头罩	Machine head cover	1	
9	991014009	机头支柱	Machine head holder	1	
10	991014010	油箱部件	Oil reservoir asm.	1	
11	991014011	机针 DBxl #14	Needle DBxl #14	4	
	991014011H	机针 DPx5 #21	Needle DPx5 #21	4	
12	991014012	防震垫(A)	quakeproof washer A	2	
13	991014013	防震垫(B)	quakeproof washer B	2	
14	280014014	说明书	Instruction book	1	
15	991014017	控速器	speed controller	1	
16	991014018	控速器安装螺钉	speed controller screw	3	
17	991014019	控速器拉杆	speed controller pull rod	1	

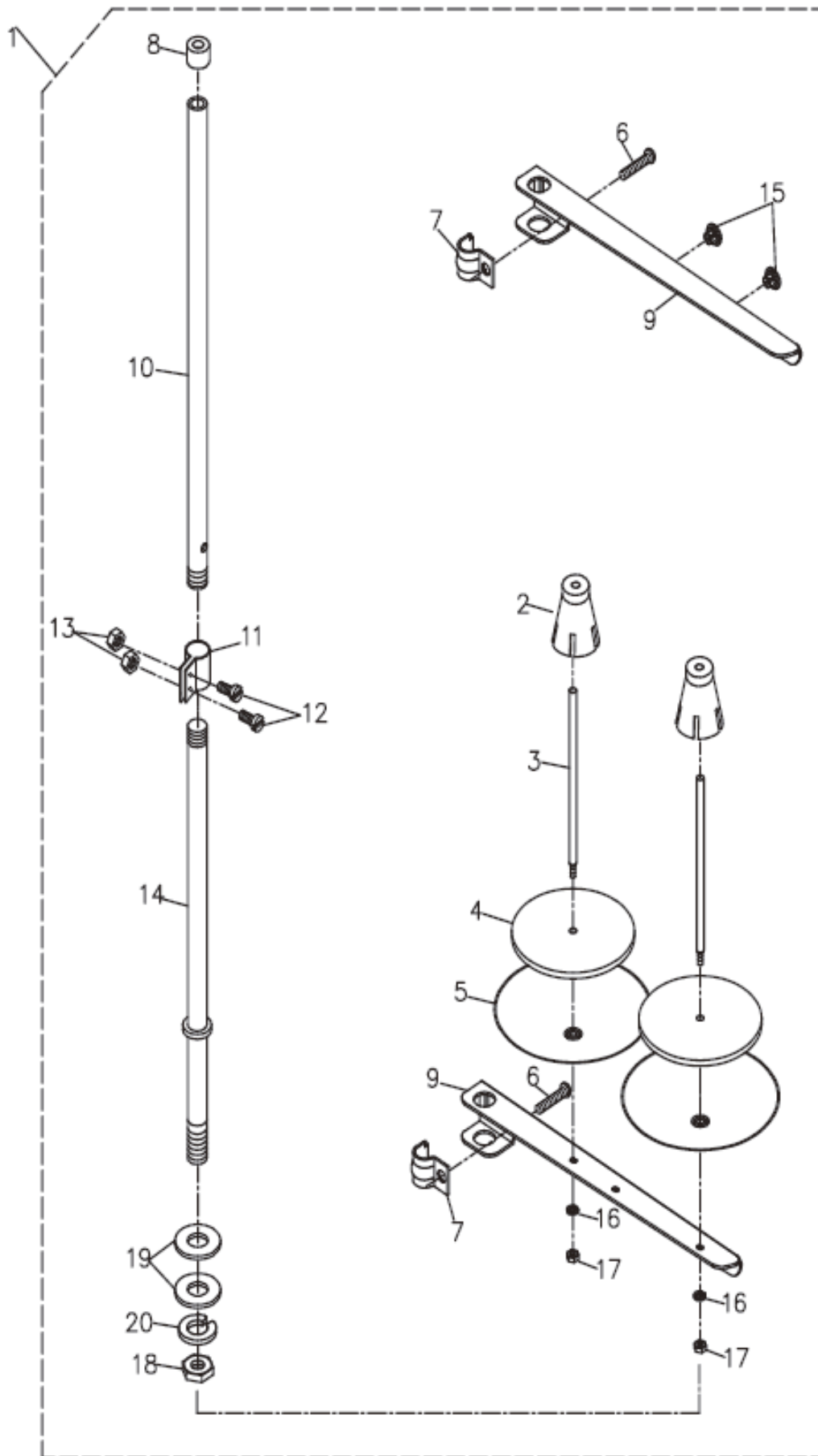
## 12. 自动抬压脚组件(内置式)

AUTO LIFTER COMPONENTS (Built-in type)



序号 Ref.No.	10 new part No.	名称 Part name	Name of parts	数量 Qty	备注 Note
1	920015001	抬压脚后杠杆	Lever for lifting presser foot	1	
2	920015002	抬压脚电磁铁	foot lifter electromagnet	1	
3	S094762810	螺钉 SM3/16X28 L=6	Screw	4	
4	920015004	螺钉	Screw	1	
5	920015005	抬压脚后杠杆套	Lever sleeve for lifting presser foot	1	
6	920015006	螺母	Nut	1	

### 13. 过线架部件 THREAD STAND COMPONENTS



序号 Ref.No.	新编号 new part No.	名称 Part name	Name of parts	数量 Qty	备注 Note
1	991013001	过线架部件	Thread stand asm	1	
2	991013002	线团防松垫	Spool retainer	2	
3	991013003	线盘钉	Spool pin	2	
4	991013004	线盘轮垫	Spool rest cushion	2	
5	991013005	线盘	Spool rest	2	
6	M090601016	线架过线夹螺钉	Screw M6 × 16	2	
7	991013007	线架过线夹	Thread guide arm joint	2	
8	991013008	线架杆顶防护橡皮	Spool rest rod rubber cap	1	
9	991013009	线架过线杆	Spool rest arm	2	
10	991013010	线架杆上节	Spool rest rod upper	1	
11	991013011	接架杆接头	Spool rest rod joint	1	
12	M090500814	接架杆接头螺钉	Screw M5 × 14	2	
13	N210500805	接架杆接头螺母	Nut M5	2	
14	991013014	线架杆下节	Spool rest rod lower	1	
15	991013015	过线圈	Thread guide	2	
16	991013016	线盘钉弹簧垫	Spring washer	2	
17	991013017	线盘钉螺母	Nut M5	2	
18	991013018	线架杆紧固螺母	Nut M6 × 1.5	1	
19	991013019	线架杆紧固螺母垫圈	Washer 16 × 30 × 2.6	2	
20	991013020	紧固螺母弹簧垫圈	Spring washer	1	



高林股份有限公司  
KAULIN MFG. CO., LTD.

由於對產品的改良及更新，本產品使用說明書中與零件圖之產品及外觀的修改恕不事先通知！  
The specification and/or appearances of the equipment described in this instruction book & parts list are subject to change because of modification which will without previous notice.  
DL7600-BM1-16Q.JUL.2025