

SIRUBA GAGE PARTS LIST		Series					Remark						Page	Date
		D007L											1/2	2025/07/25
機 型 Model	壓具組 Presser Foot, Set	壓腳 Presser Foot	壓腳彈簧片(左) Presser Foot Spring Plate(Left)	壓腳彈簧片(右) Presser Foot Spring Plate(Right)	上飾線過線勾 Top Cover Thread Hook	上飾線托線 Top Cover Thread Carrier	下刀片 Lower Knife	下切刀夾板 Lower Knife Clamp	小壓具 Yielding Section	上切刀片 Upper Knife	壓腳舌片 Presser Foot Tongue	導布器 Lap Former	針 釧 Needle Clamp	
D007L-452-01	P10001-A	P10001-1	P10101	P10102	P10201	P10301	P10401	P10502	P10601	P10701	—	—	M10001	
D007L-460-01	P10002-A	P10002-1	P10101	P10102	P10201	P10302	P10401	P10502	P10601	P10701	—	—	M10002	
D007L-452-02	P10003-A	P10003-1	P10103	P10104	P10201	P10301	P10401	P10502	P10602	P10701	P10801	A10001	M10001	
D007L-460-02	P10004-A	P10004-1	P10103	P10104	P10201	P10302	P10401	P10502	P10602	P10701	P10801	A10001	M10002	
D007L-452-02H	P10005-A	P10005-1	P10105	P10106	P10201	P10301	P10402	P10502	P10602	P10702	P10802	A10002	M10001	
D007L-460-02H	P10006-A	P10006-1	P10105	P10106	P10201	P10302	P10402	P10502	P10602	P10702	P10802	A10002	M10002	
D007L-452-02H1	P10019-A	P10019-1	P10105	P10106	P10201	P10301	P10402	P10502	P10602	P10702	P10803	A10003	M10001	
機 型 Model	針板組 Stitch Plate, Set	針板 Stitch Plate	針板舌片 Stitch Plate Tongue	主 齒 Main Feed Dog	針擋(後) Needle Guard (Rear)	差動齒 Differential Feed Dog	下勾針 Looper	針擋(前) Needle Guard (Front)						
D007L-452-01	E10001-A	E10001	E10101	D10001	D10101	H10001	DE224	DE023						
D007L-460-01	E10002-A	E10002	E10102	D10001	D10101	H10001	DE224	DE023						
D007L-452-02	E10003-A	E10003	E10101	D10002	D10101	H10001	DE224	DE023						
D007L-460-02	E10004-A	E10004	E10102	D10002	D10101	H10001	DE224	DE023						
D007L-452-02H	E10003-A	E10003	E10101	D10002	D10101	H10001	DE224	DE023						
D007L-460-02H	E10004-A	E10004	E10102	D10002	D10101	H10001	DE224	DE023						
D007L-452-02H1	E10003-A	E10003	E10101	D10002	D10101	H10001	DE224	DE023						

SIRUBA PARTS LIST	Series	Parts Group	Subclass / Remark	Page
	D007L	Exclusive Parts	452-01 其他單切機型(-01)參考規格件表	1/1
				Date
				2025/08/08

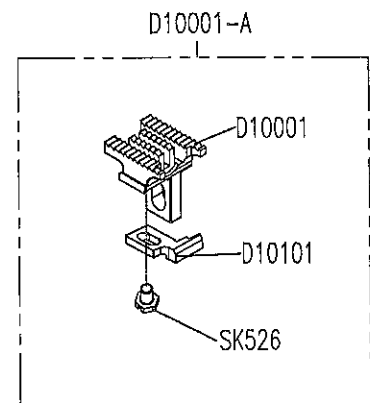
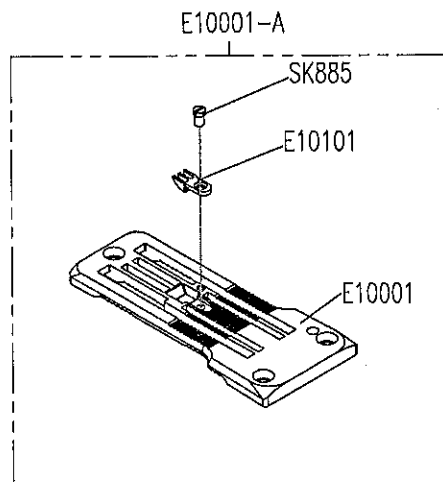
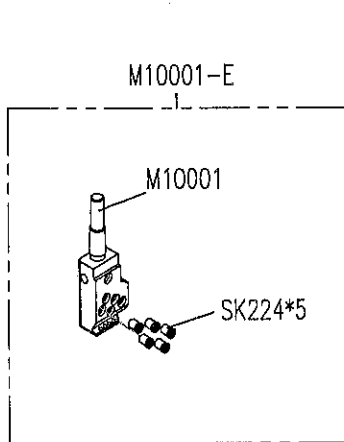
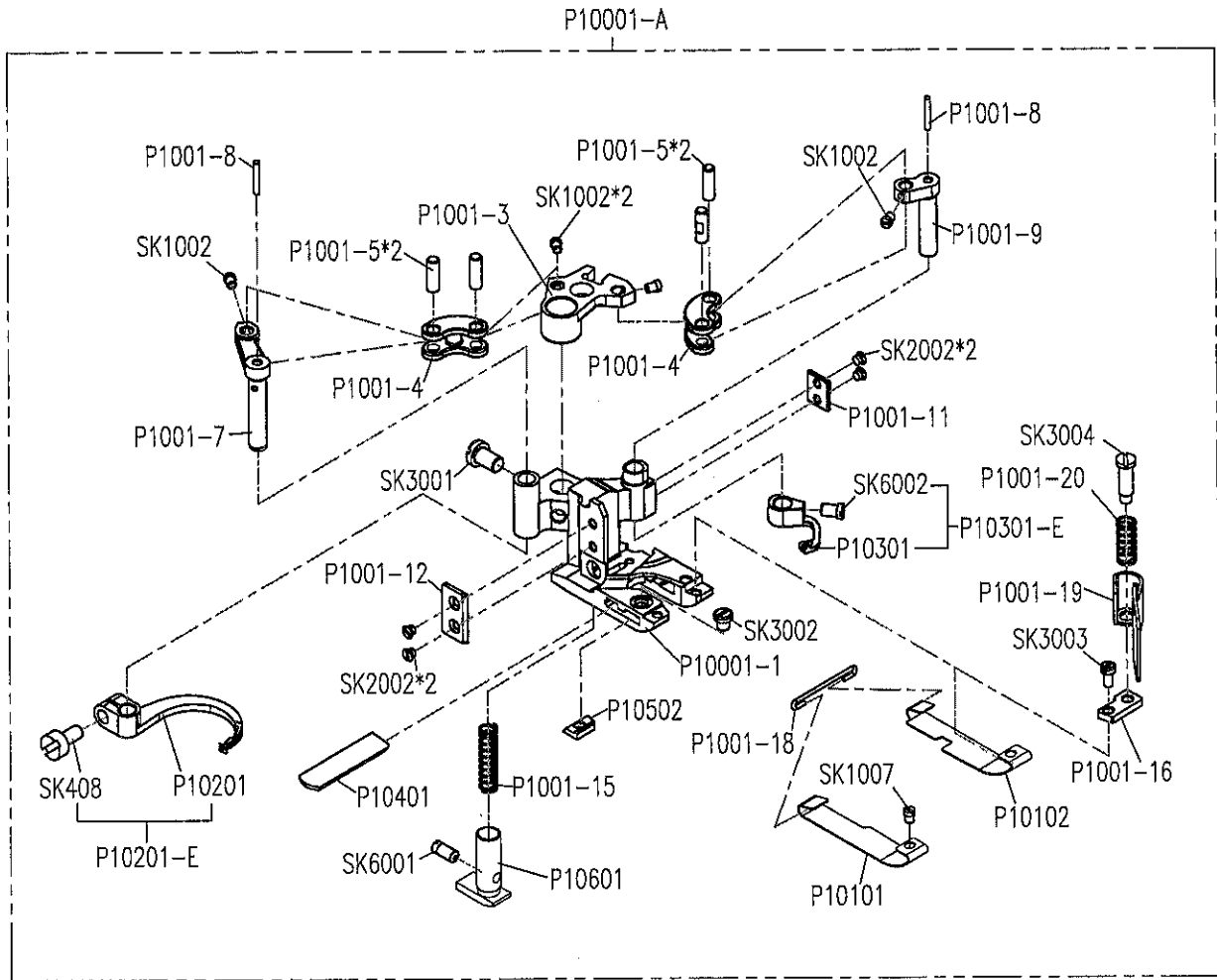
A

B

C

D

E



1

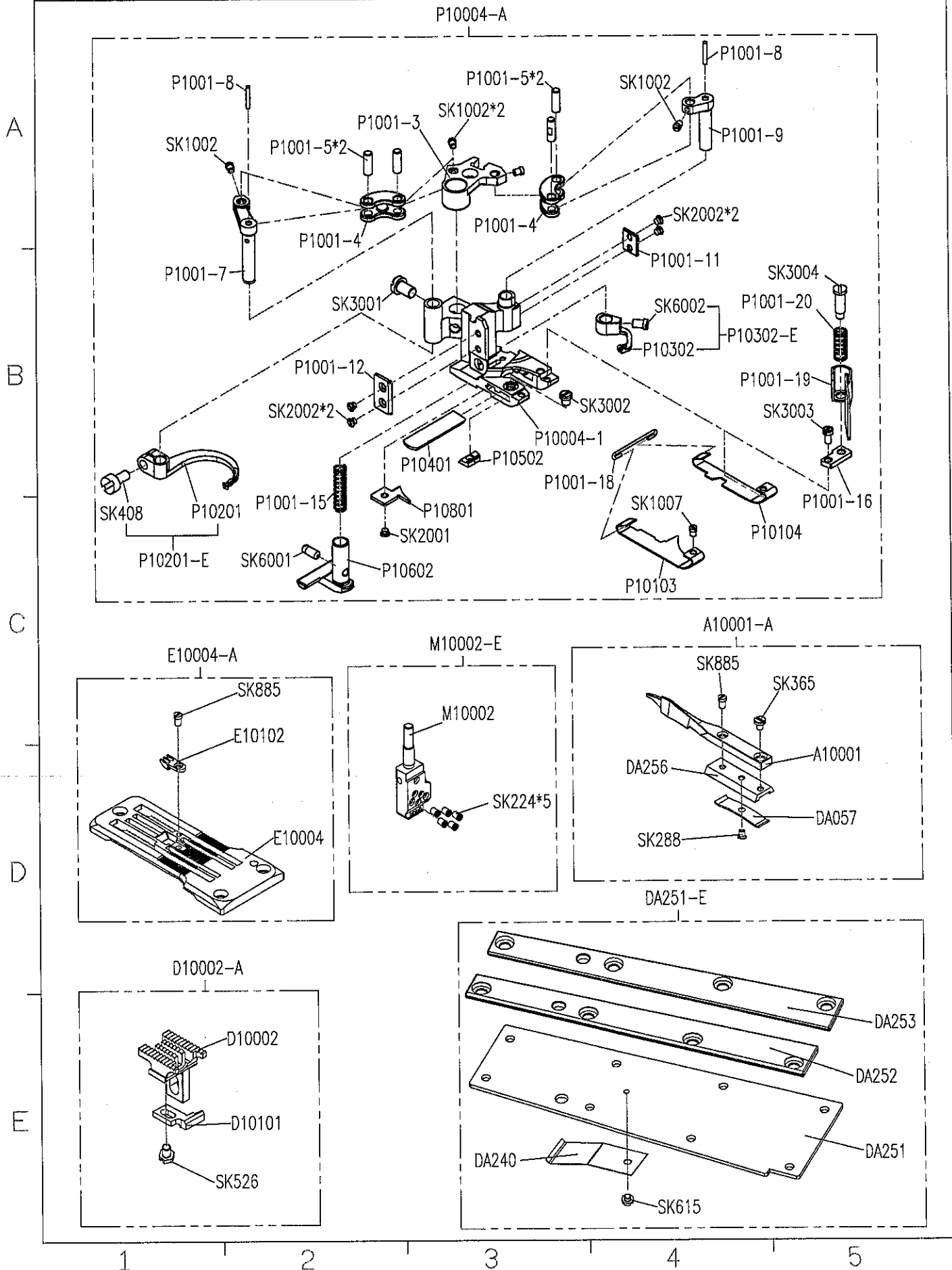
2

3

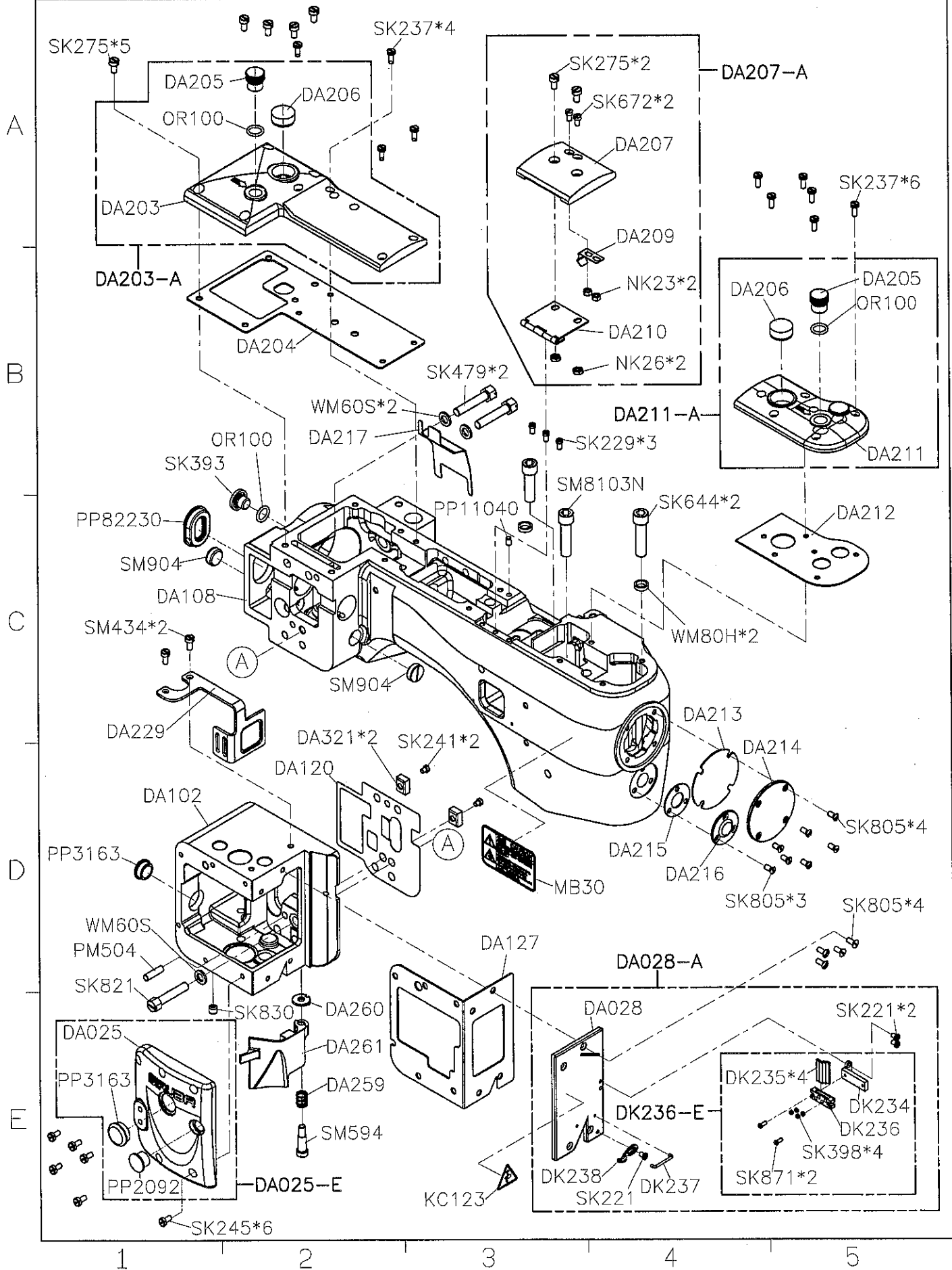
4

5

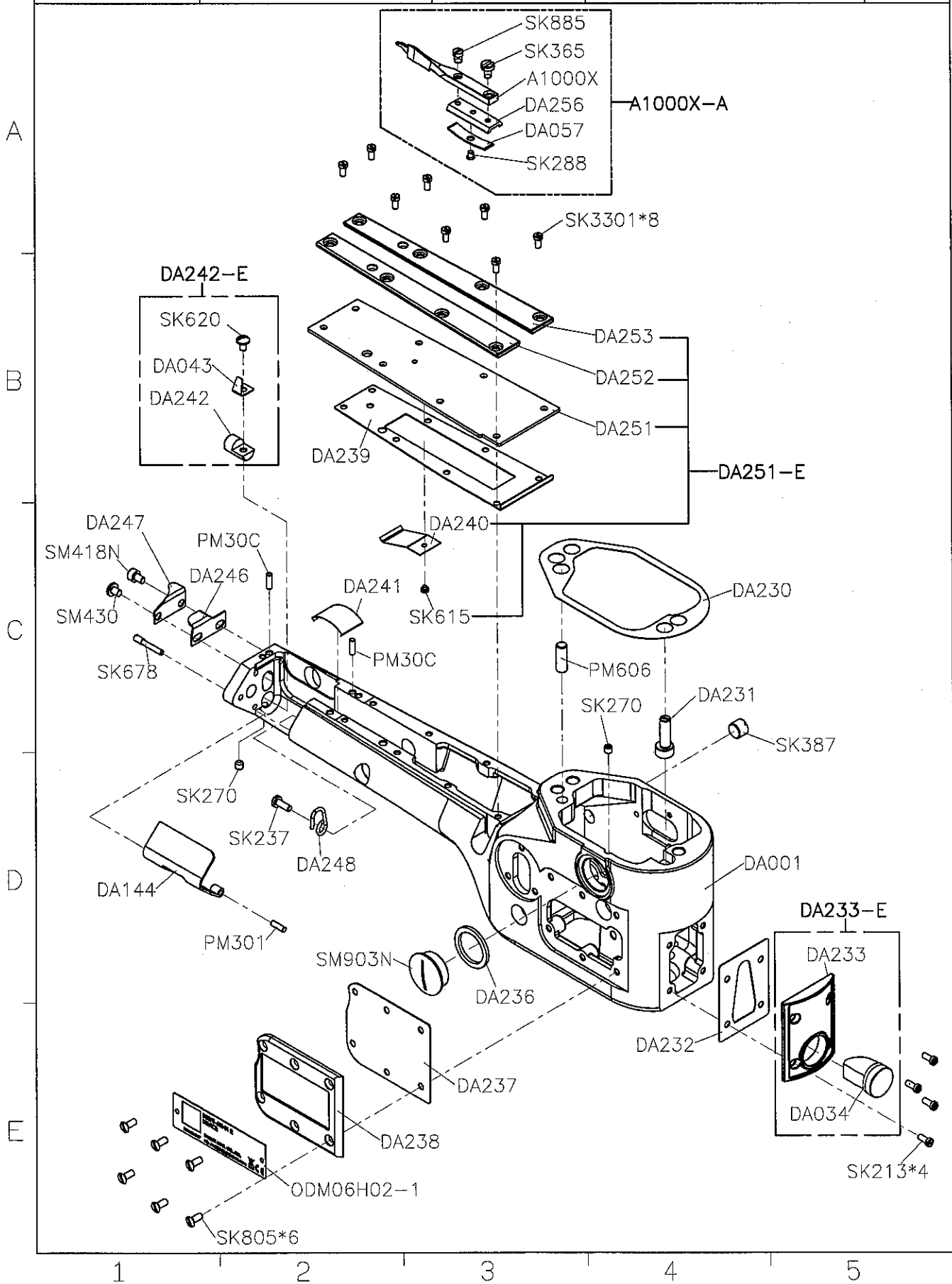
SIRUBA PARTS LIST	Series	Parts Group	Subclass / Remark	Page
	D007L	Exclusive Parts	460-02 其他雙切機型(-02)參考規格件表	1/1
				Date
				2025/08/08



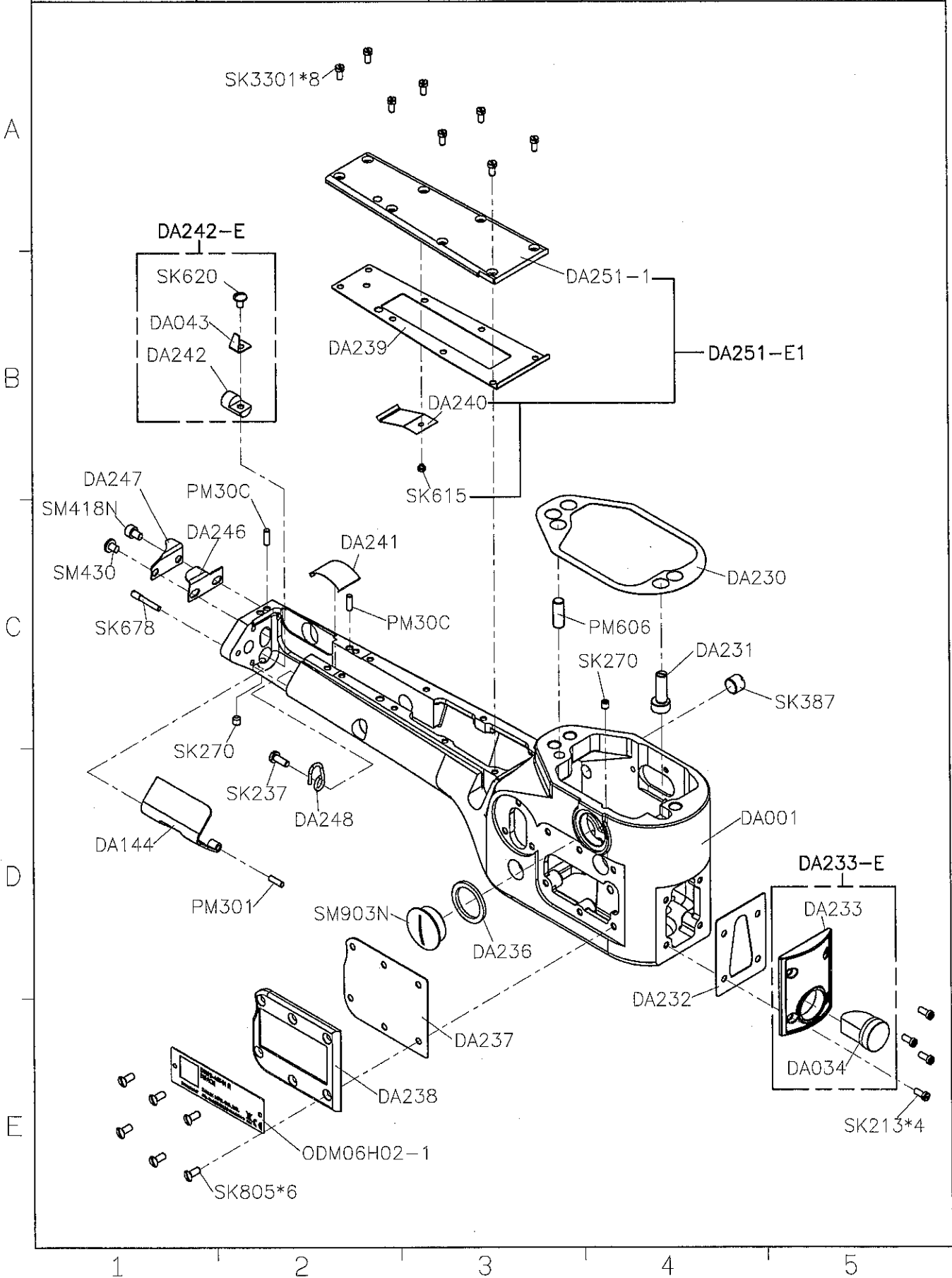
SIRUBA PARTS LIST	Series	Parts Group	Subclass / Remark	Page
	D007L	DA		1/3
				Date
				2025/08/20



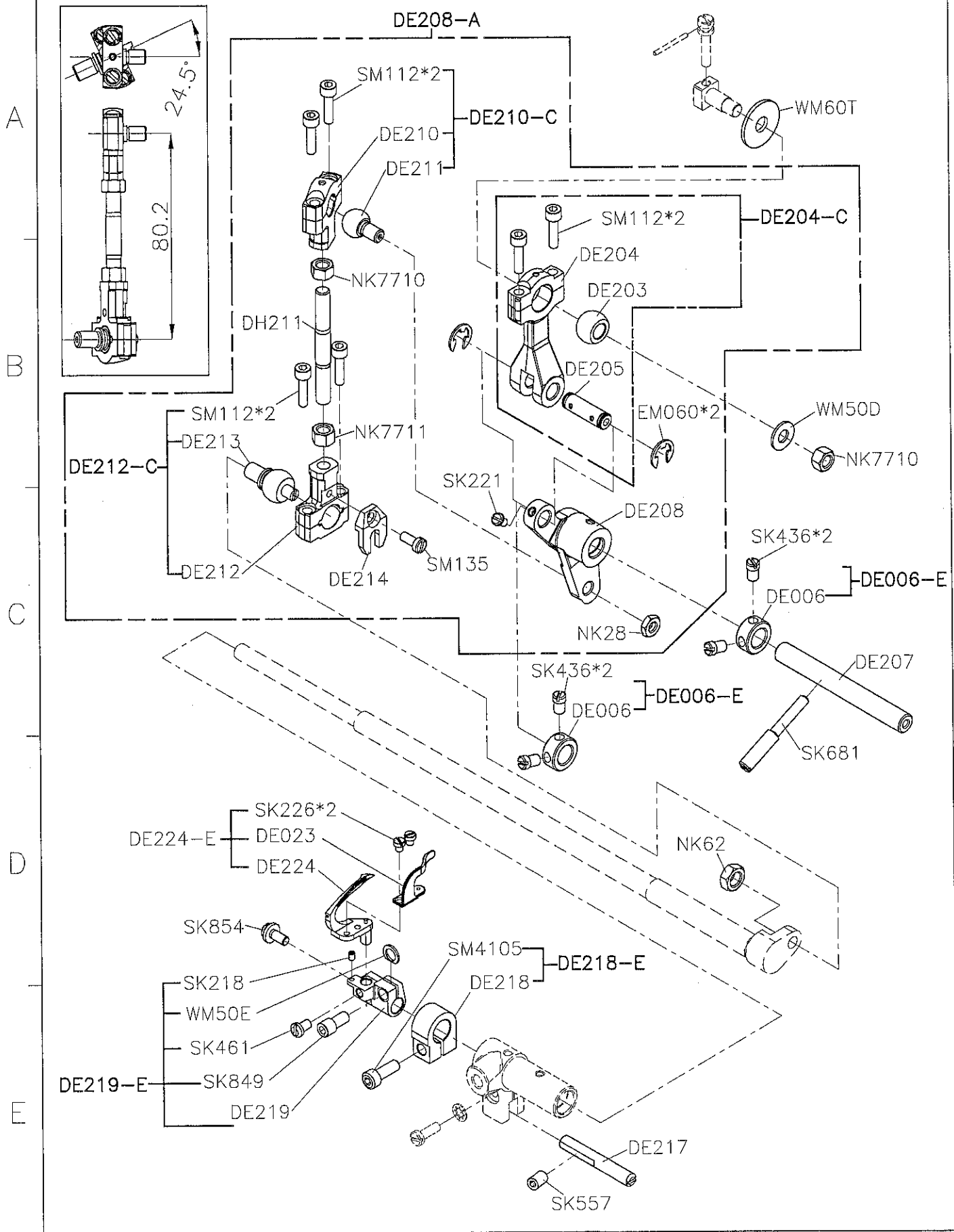
SIRUBA PARTS LIST	Series	Parts Group	Subclass / Remark	Page
	D007L	DA	460-02/452-02雙切	2/3
				Date
				2025/08/20



SIRUBA PARTS LIST	Series	Parts Group	Subclass / Remark	Page
	D007L	DA	460-01/452-01 單切	3/3
				Date
				2025/08/21

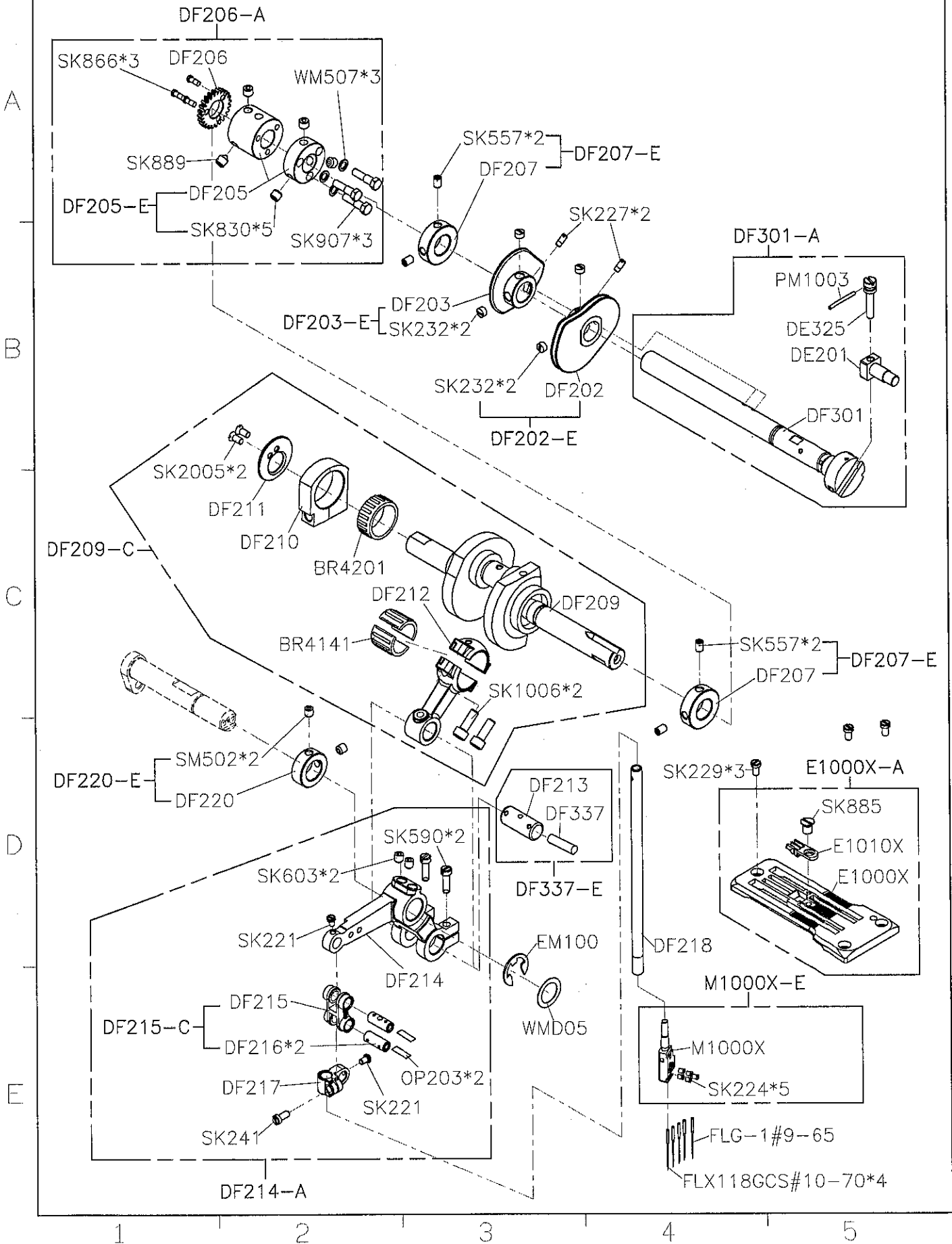


SIRUBA PARTS LIST	Series	Parts Group	Subclass / Remark	Page
	D007L	DE		1/1
				Date
				2025/03/12

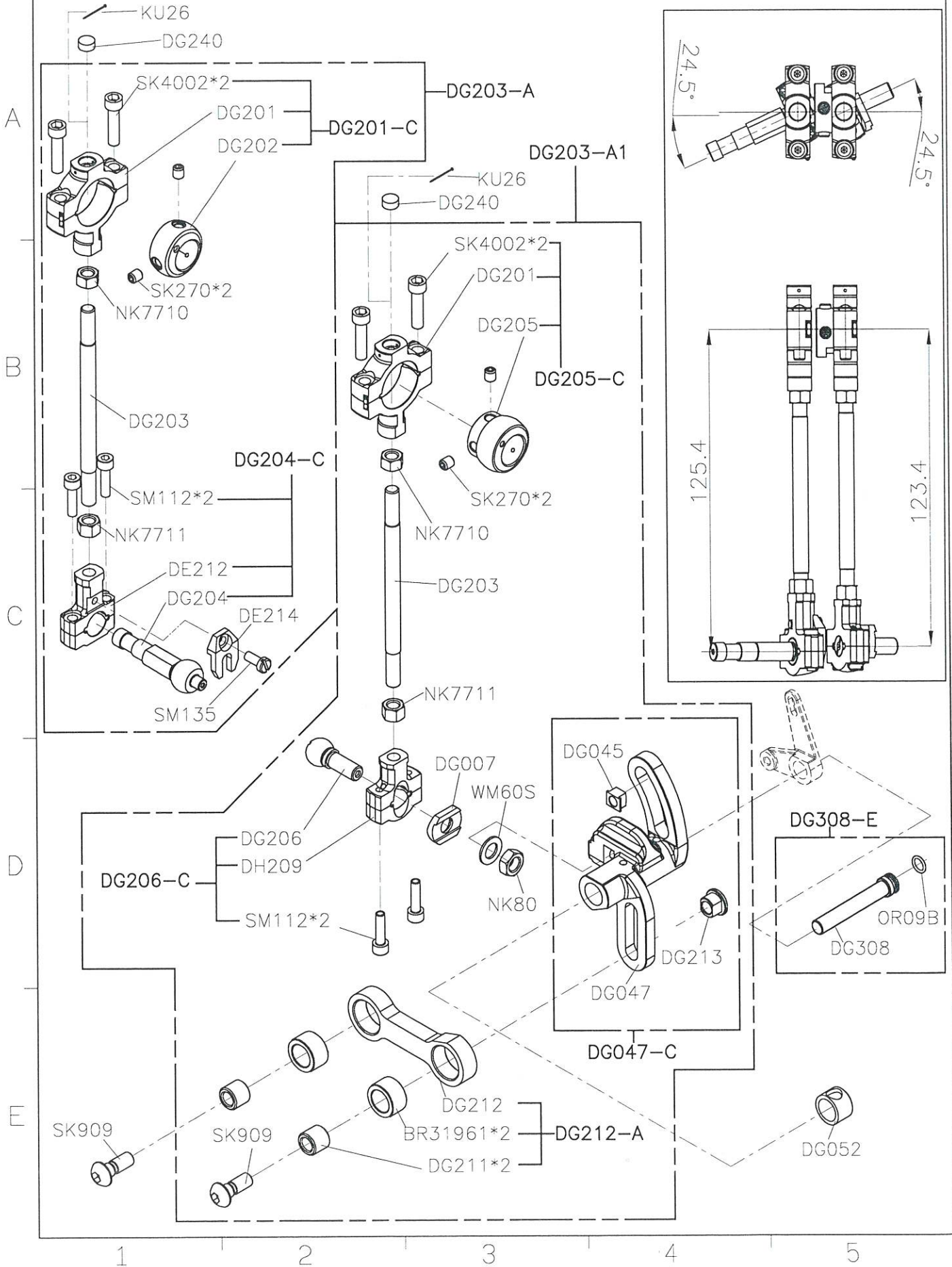


1 2 3 4 5

SIRUBA PARTS LIST	Series	Parts Group	Subclass / Remark	Page
	D007L	DF		2/2
				Date
				2025/08/18



SIRUBA PARTS LIST	Series	Parts Group	Subclass / Remark	Page
	D007L	DG		1/2
				Date
				2025/04/14



SIRUBA PARTS LIST	Series	Parts Group	Subclass / Remark	Page
	D007L	DH	Δ: Use for 452/460-02H	2/2
				Date
				2025/9/4

A

B

C

D

E

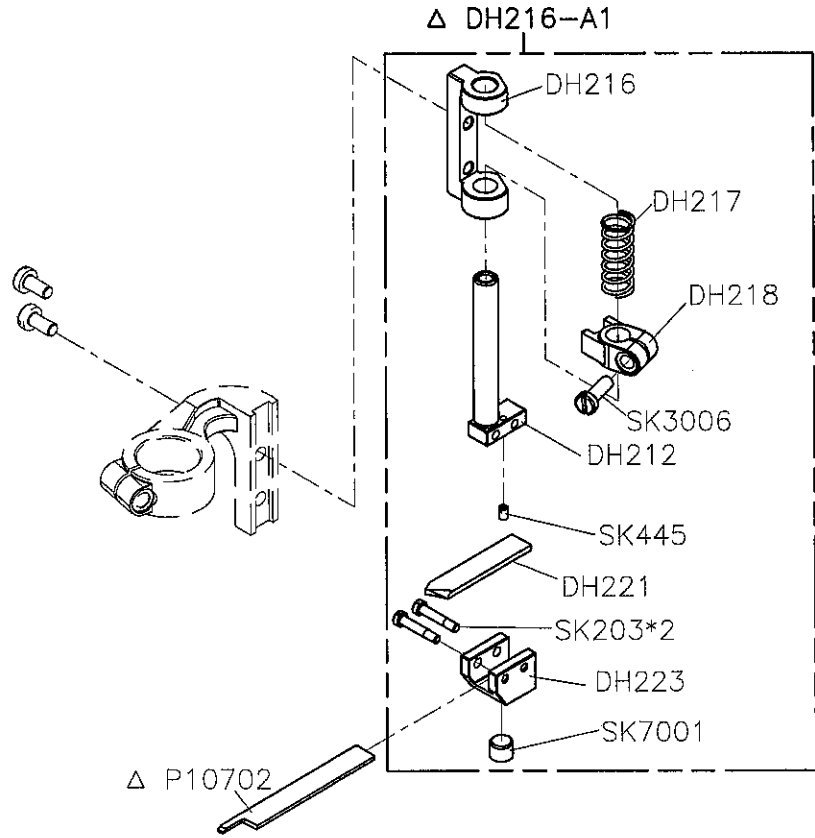
1

2

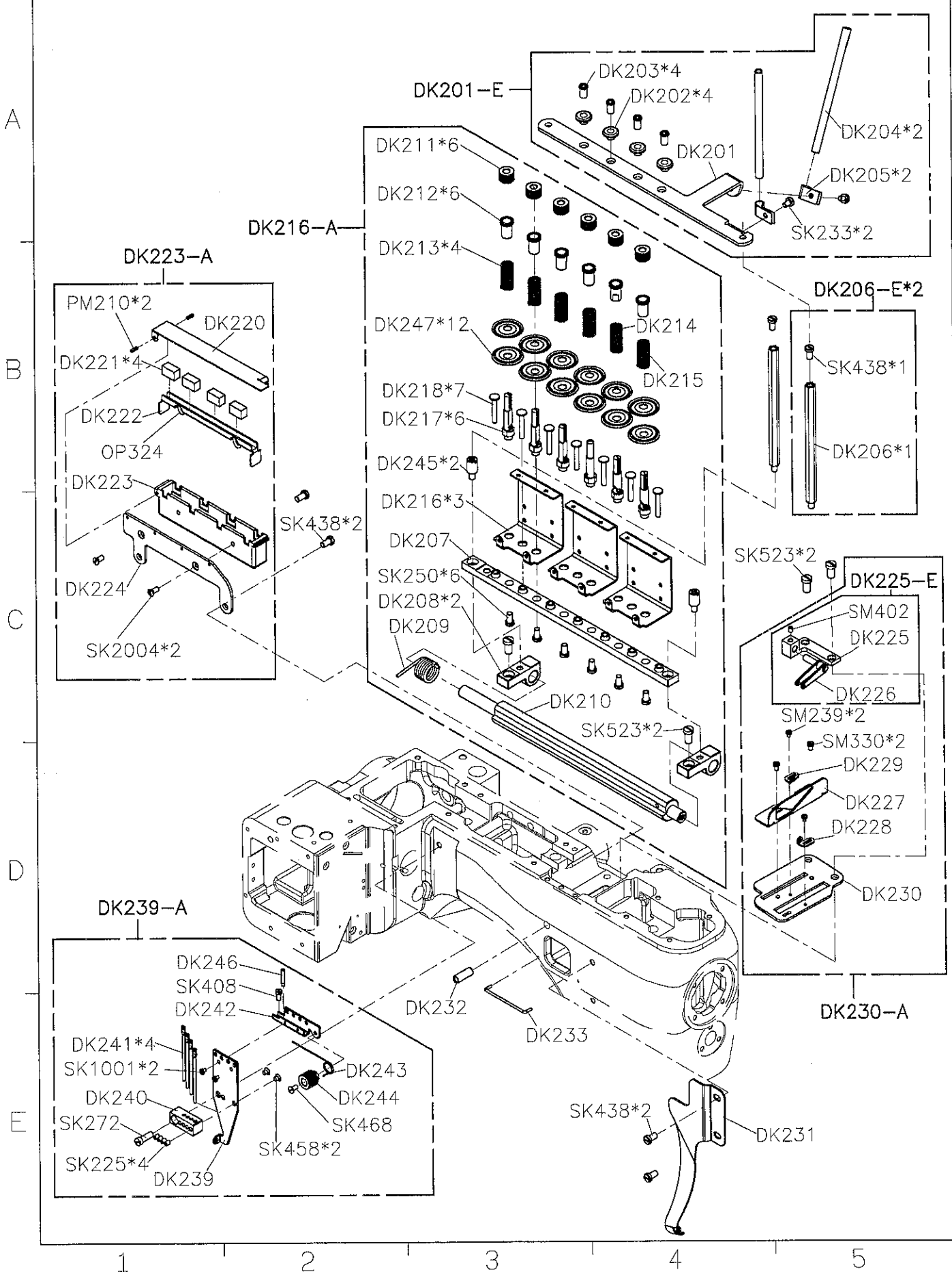
3

4

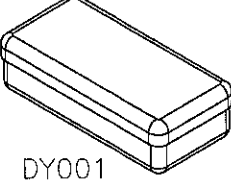
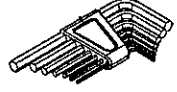


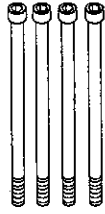




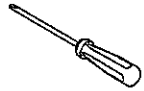


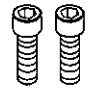











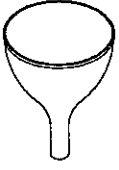


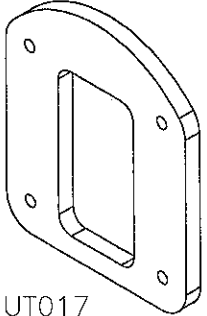
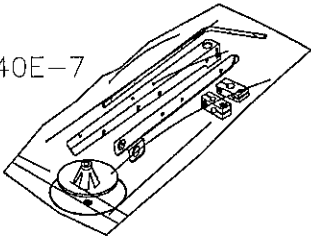
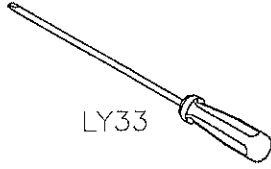
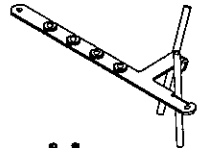

5



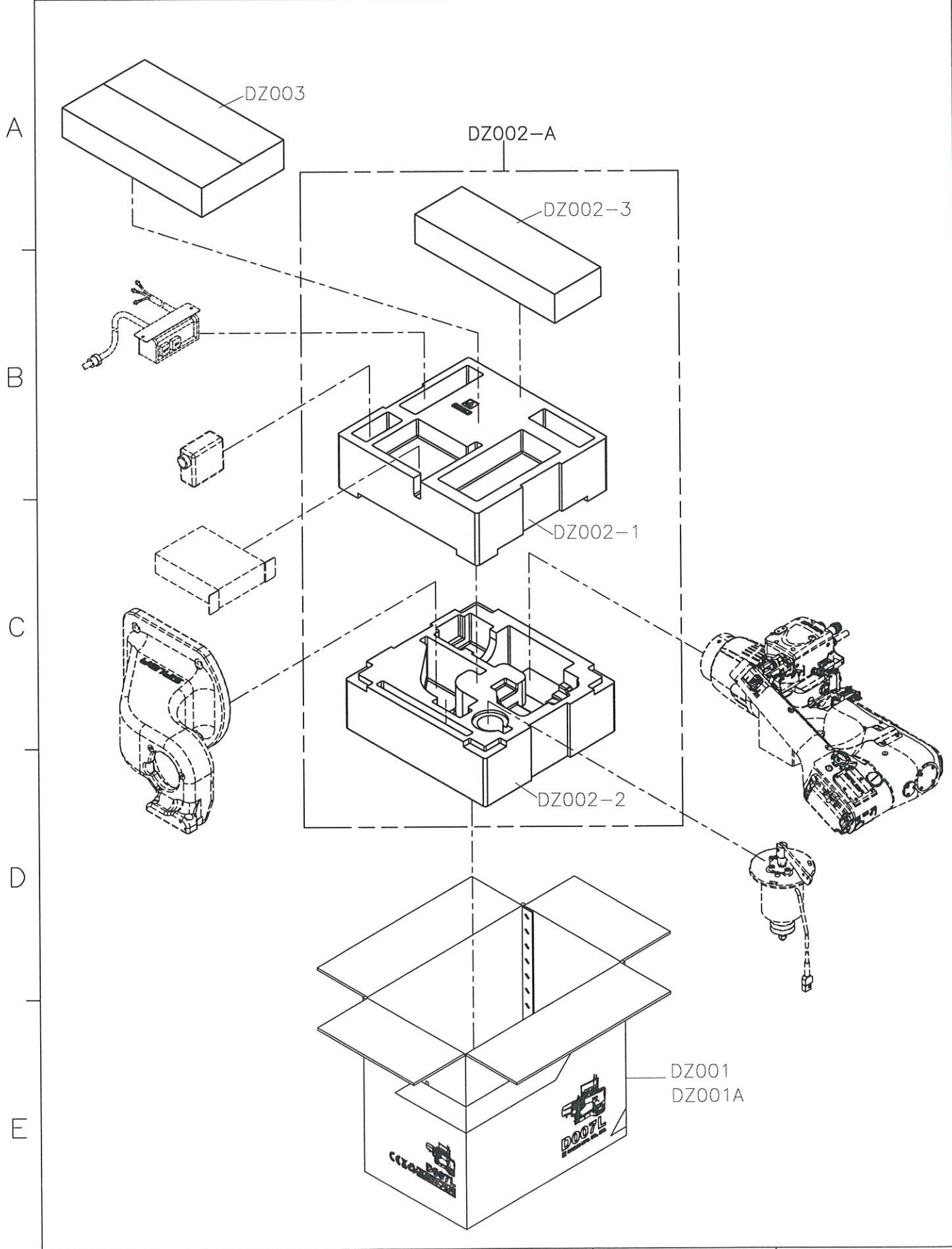
SIRUBA PARTS LIST	Series	Parts Group	Subclass / Remark	Page
	D007L	DK		1/1
				Date
				2025/04/14



SIRUBA PARTS LIST	Series	Parts Group	Subclass / Remark	Page
	D007L	DY		1/1
				Date
				2024/04/11

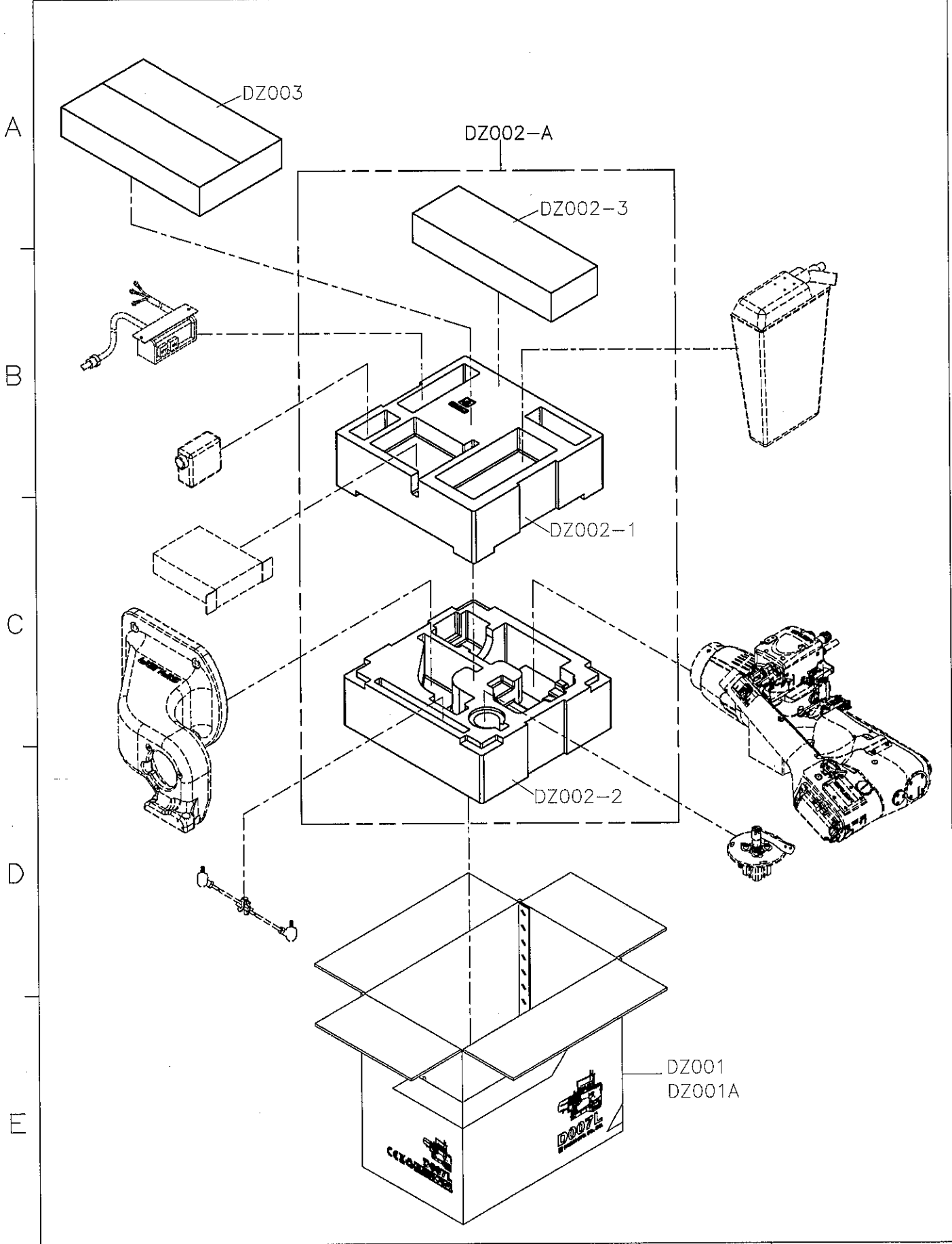
A	 DY001	 DY002	 DY003	 DY004	 SM8109*4	
	 DY007	 DY008	 DY009	 DY010*4	 KY017	
B	 KY18	 KY19	 SK588*2	 DK214*4	 DK213*4	 NM814*8
	 P10104	 P10103	 P10401	 P10701	 WM811*4	 WM809*4
C	 FLX118GCS #10-70*5	 FLG-1#9-65*2	 KY04	 KY03	 DY013*6	
	 DUT017	 KW40E-7	 LY33	 DK201-E	 DK206-E*2	
D						
E						

SIRUBA PARTS LIST	Series	Parts Group	Subclass / Remark	Page
	D007L	DZ	For ET/EW1	1/4
				Date
				2024/05/21



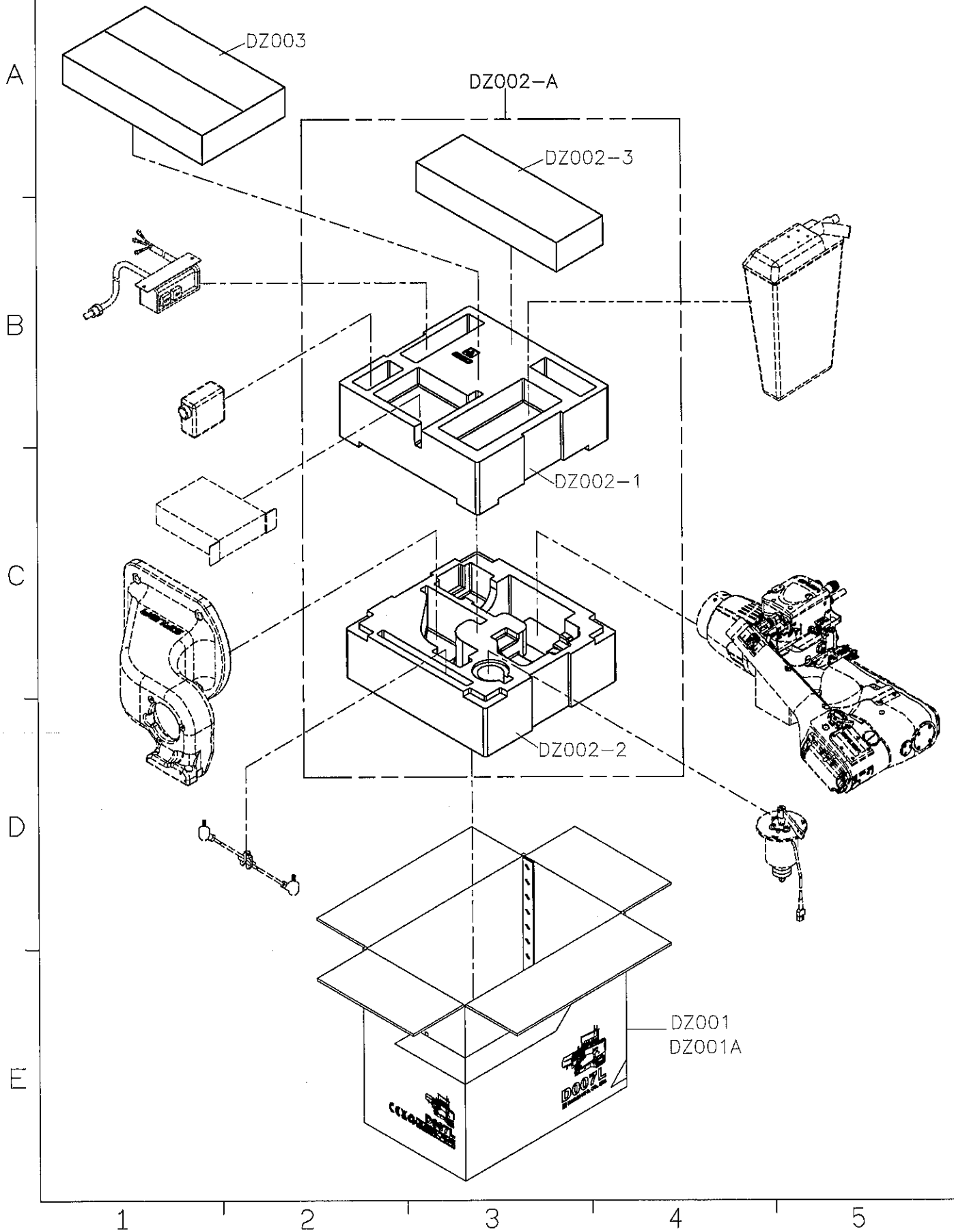
1 2 3 4 5

SIRUBA PARTS LIST	Series	Parts Group	Subclass / Remark	Page
	D007L	DZ	For AT/AW1	2/4
				Date
				2024/05/21

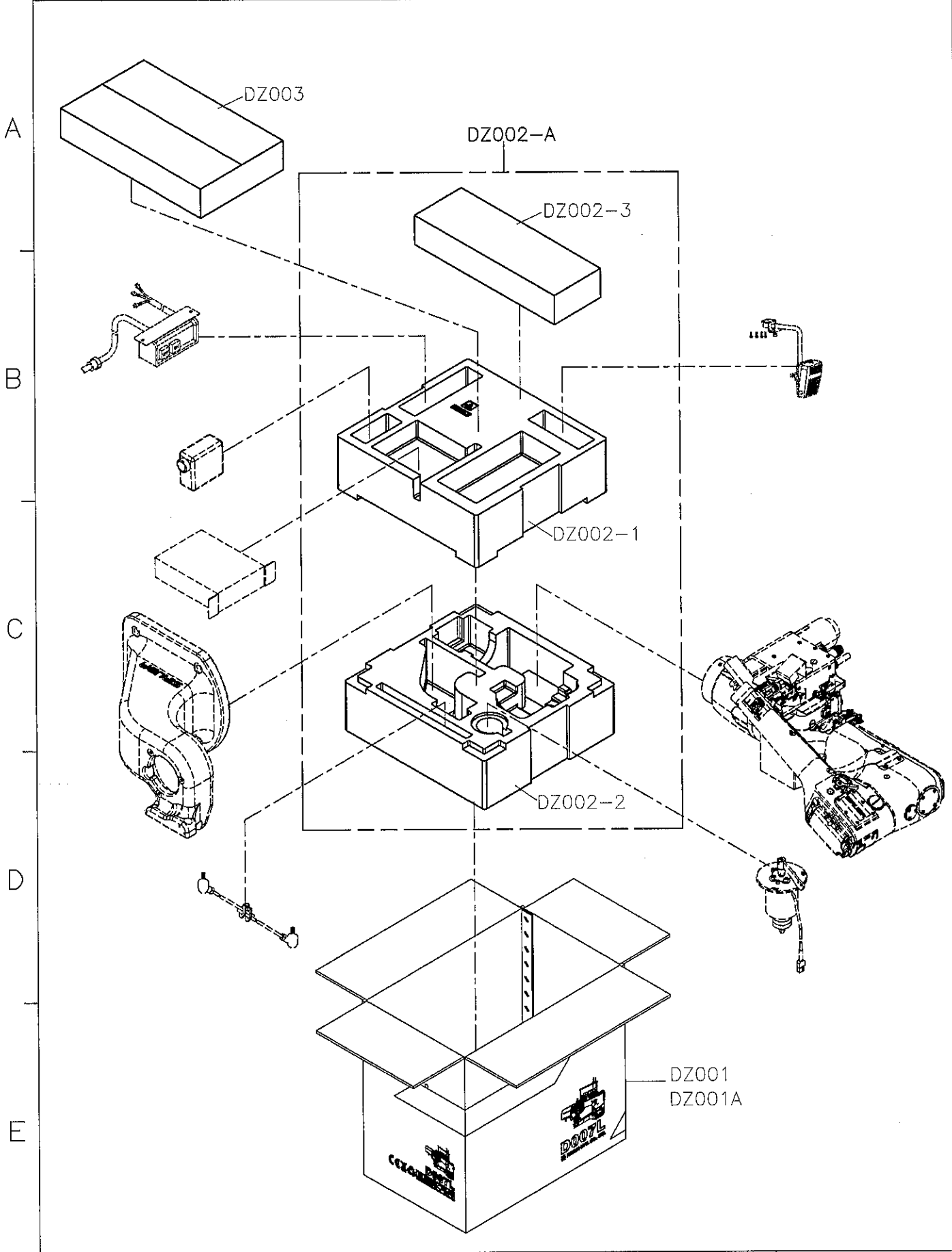


1 2 3 4 5

SIRUBA PARTS LIST	Series	Parts Group	Subclass / Remark	Page
	D007L	DZ	For ET/AW1	3/4
				Date
				2024/05/21



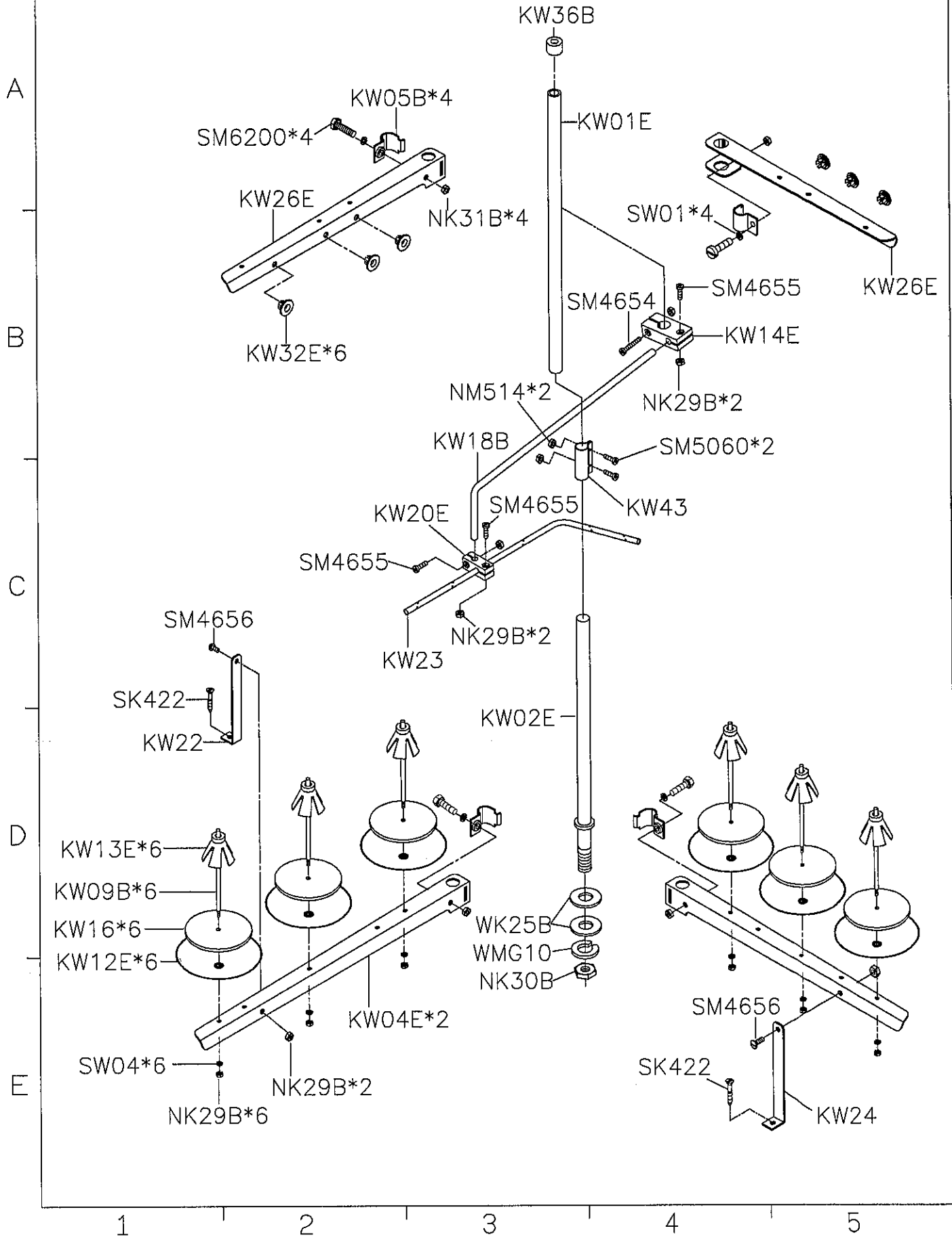
SIRUBA PARTS LIST	Series	Parts Group	Subclass / Remark	Page
	D007L	DZ	For ET/EK/EW7	4/4
				Date
				2024/05/21



1 2 3 4 5

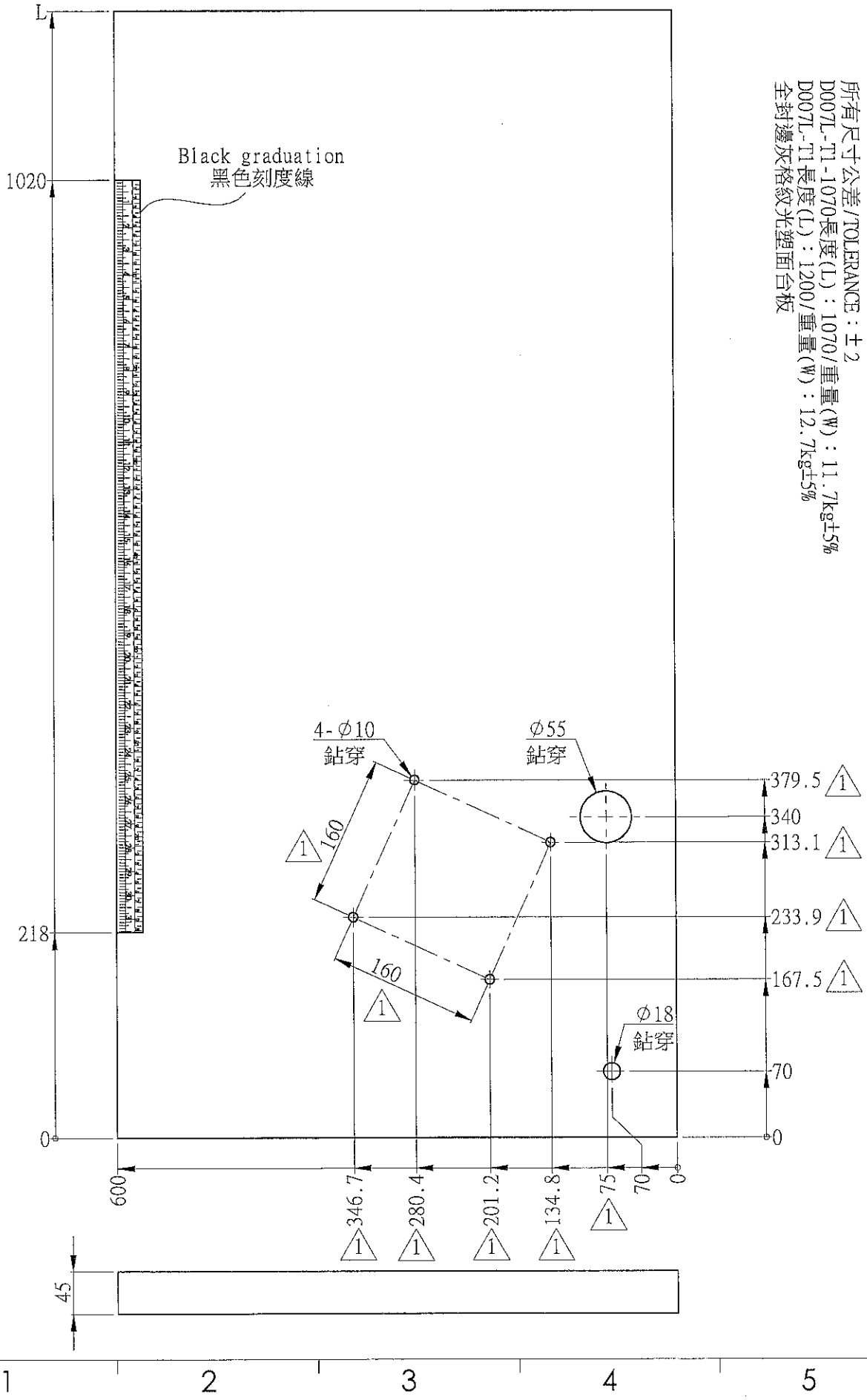
SIRUBA PARTS LIST	Series	Parts Group	Subclass / Remark	Page
	D007L	KW		1/1
				Date
				2023/11/16

KW40E-7



SIRUBA TABLE CUT-OUT	Series	Item Code	Subclass Remark	Mounting
	D007L	D007L-T1		Non-Submerged
				Date
				2023/09/07

A
B
C
D
E



單位/UNIT : mm
 所有尺寸公差/TOLERANCE : ± 2
 D007L-T1-1070長度(L) : 1070/重量(W) : 11.7kg $\pm 5\%$
 D007L-T1長度(L) : 1200/重量(W) : 12.7kg $\pm 5\%$
 全封邊灰格紋光塑面台板

SIRUBATABLE
CUT-OUT

Series

D007L

Item Code

D007L-T2

Subclass Remark

Mounting

Non-Submerged

Date

2023/09/07

A

B

C

D

E

