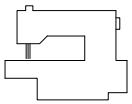
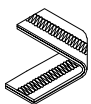
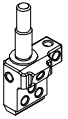
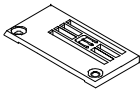
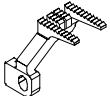
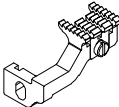
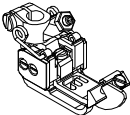



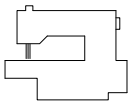
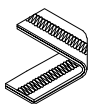
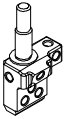
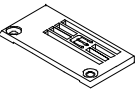
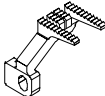
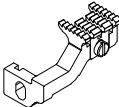
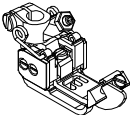



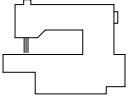
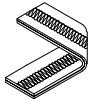
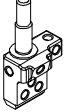
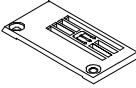
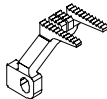
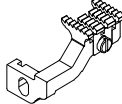
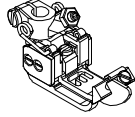





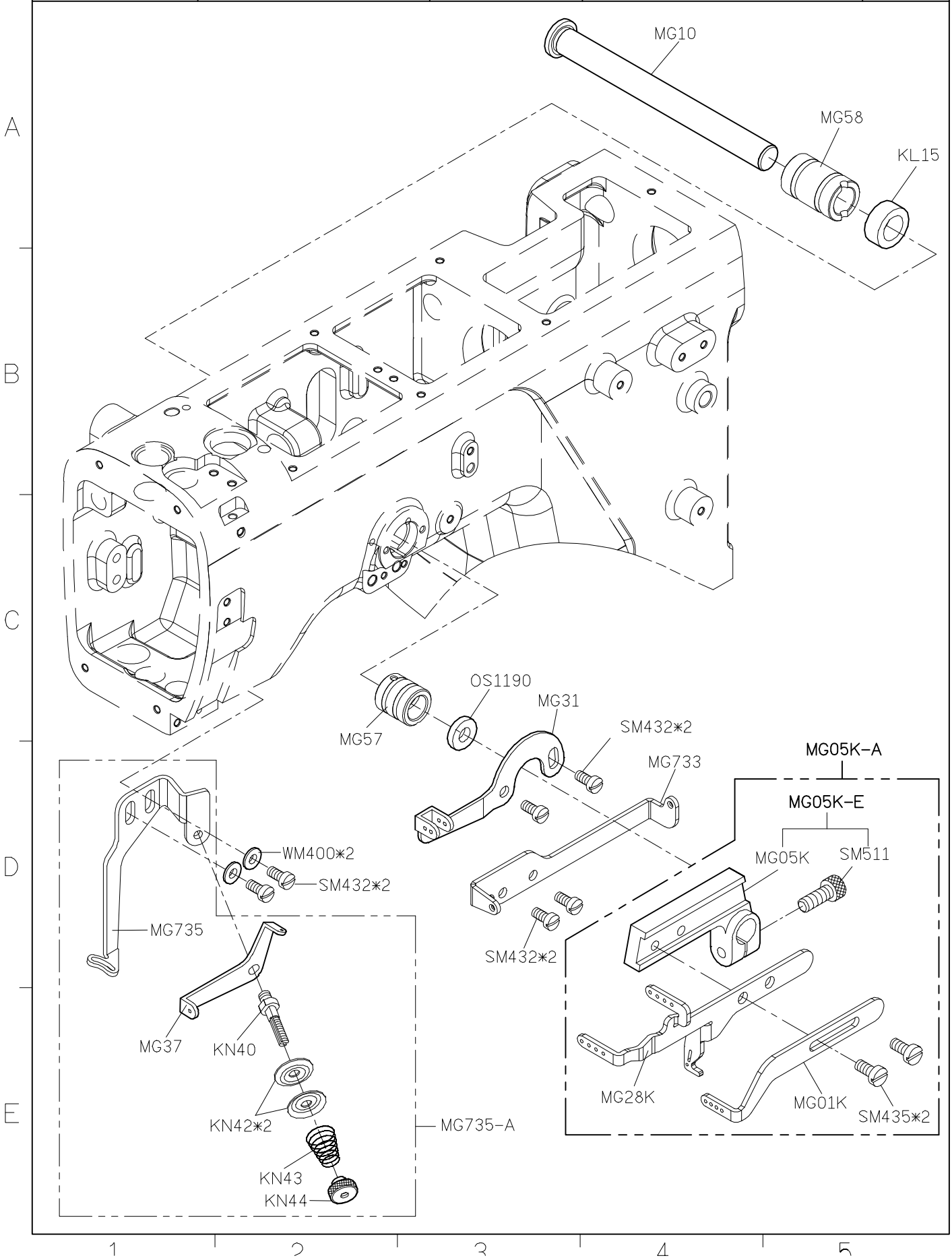
SIRUBA GAGE PARTS LIST	Series			Remark						Page	Date
	C007LQ/C007LQT									1 / 3	2023/09/08
											
MODEL	SUB-CLASS	NEEDLE CLAMP	NEEDLE ELATE	QLIN FEED DOG	DIFF. FEED DOG	PRESSER FOOT	SPRALDER	LOOPER	NEEDLE		
機 型	規 格	針 座	針 板	主 送 具	差 送 具	押 具	上 叉	勾 針	針 號		
W121/CH	232	M5232K	E5232KL	D5356EL	H5356EL	P5232A-A	MH741	MT01	UYX128GAS#10		
	240	M5240K	E5240EL			P2544-A					
	248	M5248K	E5248EL			P2545-A					
	348	M5348K	E5348KL			P5348A-A					
	356	M5356K	E5356EL			P2446-A					
	364	M5364K	E5364EL			P2447-A					
U121/CH	232	M5232K	E5232KL			P5232A-A	-				
	240	M5240K	E5240EL			P2544-A					
	248	M5248K	E5248EL			P2545-A					
	348	M5348K	E5348KL			P5348A-A					
	356	M5356K	E5356EL			P2446-A					
	364	M5364K	E5364EL			P2447-A					
W122/CH	232	M5232K	E5232KM			D5356EL	H5356EL			P5232A-A	MH741
	240	M5240K	E5240EM							P2544-A	
	248	M5248K	E5248EM							P2545-A	
	348	M5348K	E5348KM							P5348A-A	
	356	M5356K	E5356EM							P2446-A	
	364	M5364K	E5364EM							P2447-A	
U122/CH	232	M5232K	E5232KM	D5356EL	H5356EL	P5232A-A	-				
	240	M5240K	E5240EM			P2544-A					
	248	M5248K	E5248EM			P2545-A					
	348	M5348K	E5348KM			P5348A-A					
	356	M5356K	E5356EM			P2446-A					
	364	M5364K	E5364EM			P2447-A					

SIRUBA GAGE PARTS LIST	Series			Remark						Page	Date
	C007LQ/C007LQT									2 / 3	2023/09/08
											
MODEL	SUB-CLASS	NEEDLE CLAMP	NEEDLE ELATE	QLIN FEED DOG	DIFF. FEED DOG	PRESSER FOOT	SPRALDER	LOOPER	NEEDLE		
機 型	規 格	針 座	針 板	主送具	差送具	押 具	上 叉	勾 針	針 號		
W121/RH/RCH-3M	240	M5240K	E5240EL	D5356EL	H5356EL	P5240RH-A	MH741	MT01	UYX128GAS#10		
	248	M5248K	E5248EL			P5248RH-A					
	356	M5356K	E5356EL			P5356RH-A					
	364	M5364K	E5364EL			P5364RH-A					
U121/RH/RCH-3M	240	M5240K	E5240EL			P5240RH-A	-				
	248	M5248K	E5248EL			P5248RH-A					
	356	M5356K	E5356EL			P5356RH-A					
	364	M5364K	E5364EL			P5364RH-A					
W122/RH/RCH-3M	240	M5240K	E5240EM			P5240RH-A	MH741				
	248	M5248K	E5248EM			P5248RH-A					
	356	M5356K	E5356EM			P5356RH-A					
	364	M5364K	E5364EM			P5364RH-A					
U122/RH/RCH-3M	240	M5240K	E5240EM			P5240RH-A	-				
	248	M5248K	E5248EM			P5248RH-A					
	356	M5356K	E5356EM			P5356RH-A					
	364	M5364K	E5364EM			P5364RH-A					
W152/CZ/UTP/RLQ	356	M5356K	E5356GM	D5356G	H5356L	P2416-A	MH741	MT01	UYX128GAS#10		
	364	M5364K	E5364GM			P2417-A					
W162/CH	240	M5240K	E5240KHA	D5356EL	H5356EL	P2544-A	MH741	MT01A	TV*5#14~16		
	248	M5248K	E5248KHA			P2545-A					
	356	M5356K	E5356KHA			P2446-A					
	364	M5364K	E5364KHA			P2447-A					

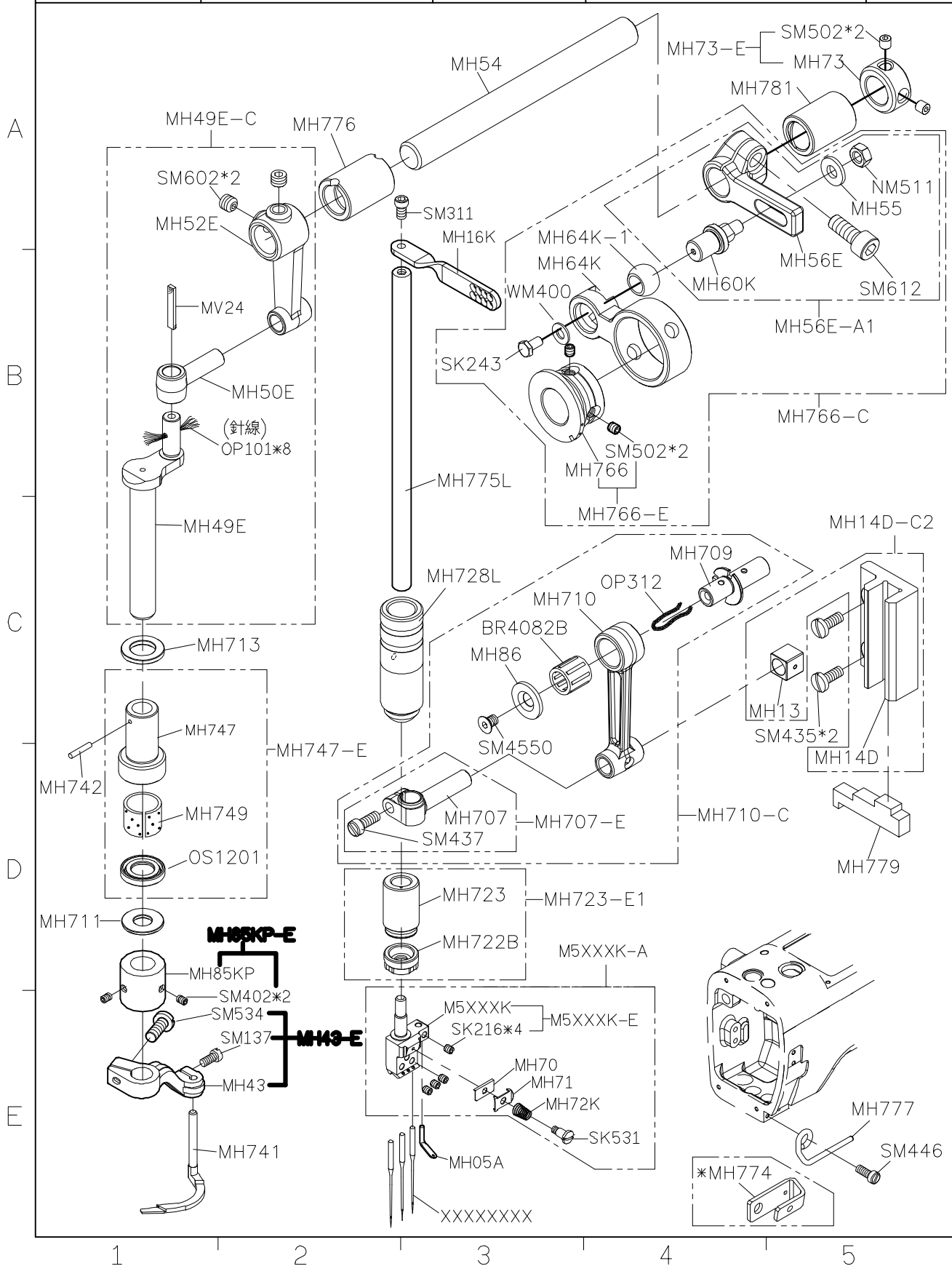
SIRUBA GAGE PARTS LIST	Series			Remark						Page	Date
	C007LQ/C007LQT									3 / 3	2023/09/08
											
MODEL	SUB-CLASS	NEEDLE CLAMP	NEEDLE ELATE	QLIN FEED DOG	DIFF. FEED DOG	PRESSER FOOT	SPRALDER	LOOPER	NEEDLE		
機 型	規 格	針 座	針 板	主 送 具	差 送 具	押 具	上 叉	勾 針	針 號		
W222/CQ	240	M5240K	E5240GM	D5356G	H5356GA	P1814K-A	MH741	MT01	UYX128GAS#10		
	248	M5248K	E5248GM			P1815K-A					
	356	M5356K	E5356GM			P2116K-A					
	364	M5364K	E5364GM			P2117K-A					
W322/CC	356	M5356K	E5356AML	D5356EL	H5356AL	P2456-A	MH741	MT01	UYX128GAS#10		
	364	M5364K	E5364AML			P2457-A					
U322/CC	356	M5356K	E5356AML	D5356EL	H5356AL	P2456-A	-	MT01	UYX128GAS#10		
	364	M5364K	E5364AML			P2457-A					
W322/CE	356	M5356K	E5356BML	D5356EL	H5356BL	P2456-A	MH741	MT01	UYX128GAS#10		
	364	M5364K	E5364BML			P2457-A					
U322/CE	356	M5356K	E5356BML	D5356EL	H5356BL	P2456-A	-	MT01	UYX128GAS#10		
	364	M5364K	E5364BML			P2457-A					
W922/CW	456	M5456K	E5456KM	D5456K	H5456KA-E	P5456K-A	MH741	MT01B	SM1014B#10		
	460	M5460K	E5460KM			P5460K-A					
	464	M5464K	E5464KM			P5464K-A					



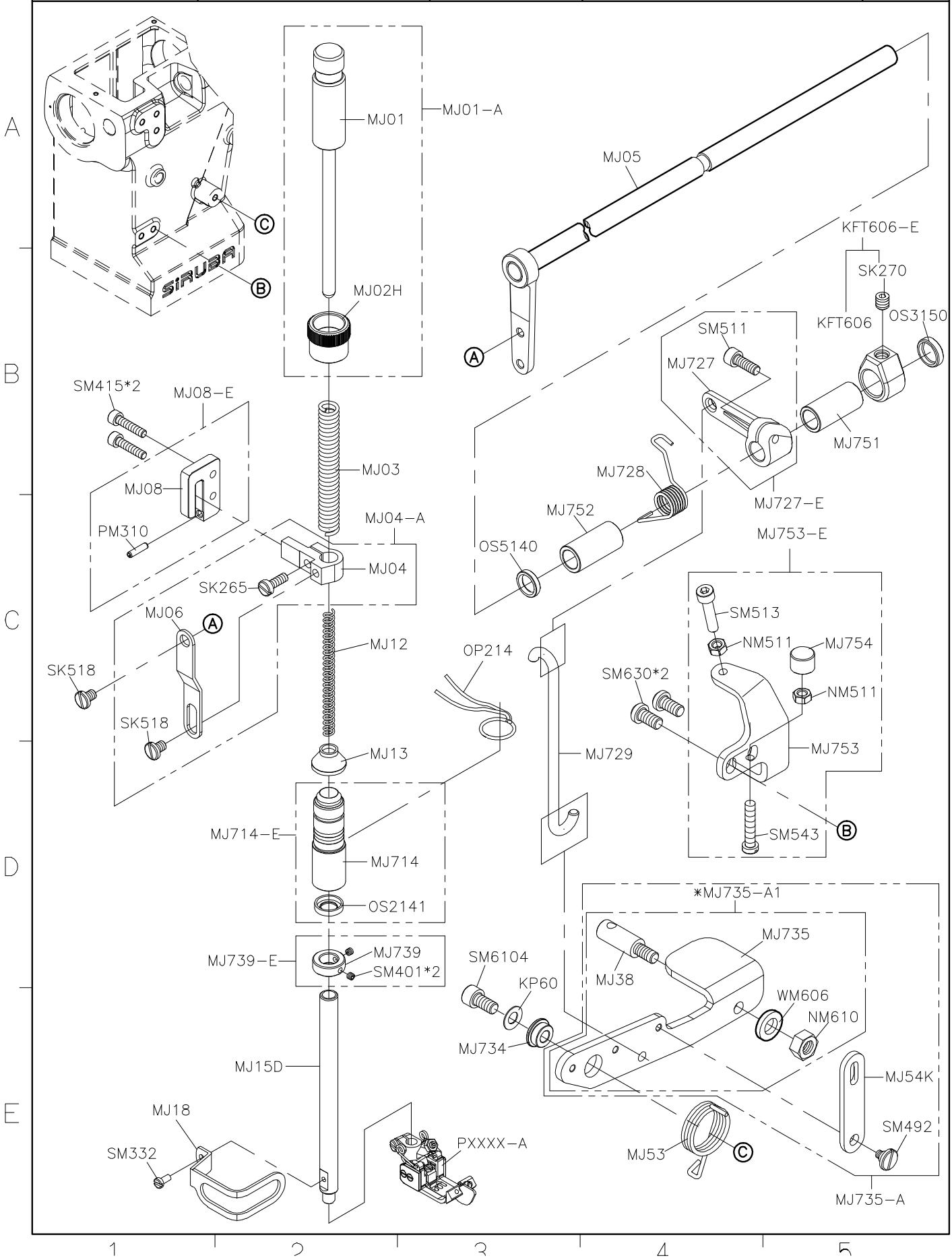
SIRUBA PARTS LIST	Series	Parts Group	Subclass / Remark	Page
	C007L/C007LX	MG-L		1/1
	C007LQ/C007LQT			Date
	2023/8/14			

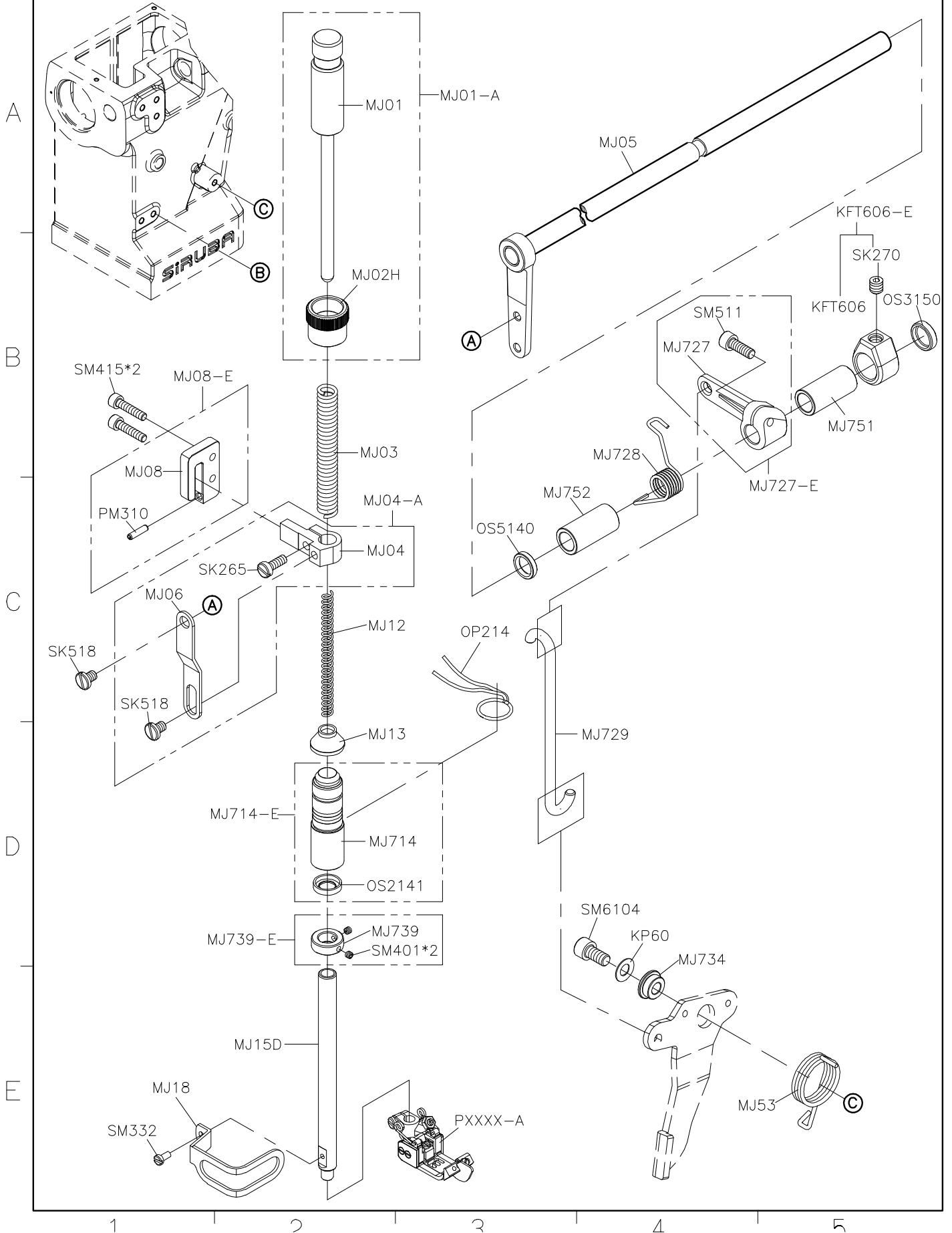


<b>SIRUBA</b> <b>PARTS LIST</b>	<b>Series</b>	<b>Parts Group</b>	<b>Subclass / Remark</b>	<b>Page</b>
	C007L	<b>MH-L</b>	*Use for allocation	1/1
	C007LQ/C007LQT			<b>Date</b>
				2023/8/14



SIRUBA PARTS LIST	Series	Parts Group	Subclass / Remark	Page
	C007L/C007LQ	MJ	*: With Direct-Drive Motor-UT	1/1
				Date
				2024/8/21





1

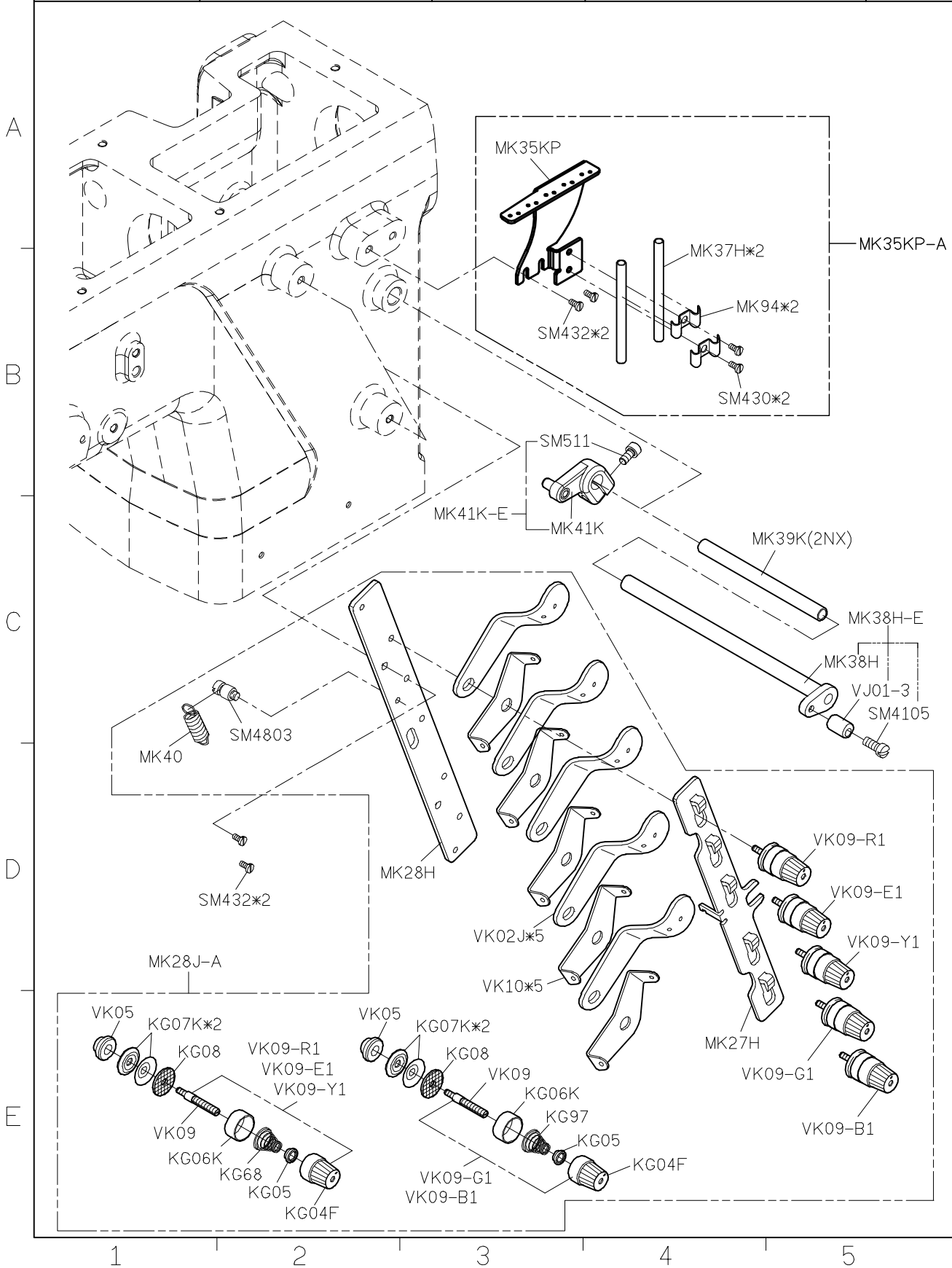
2

3

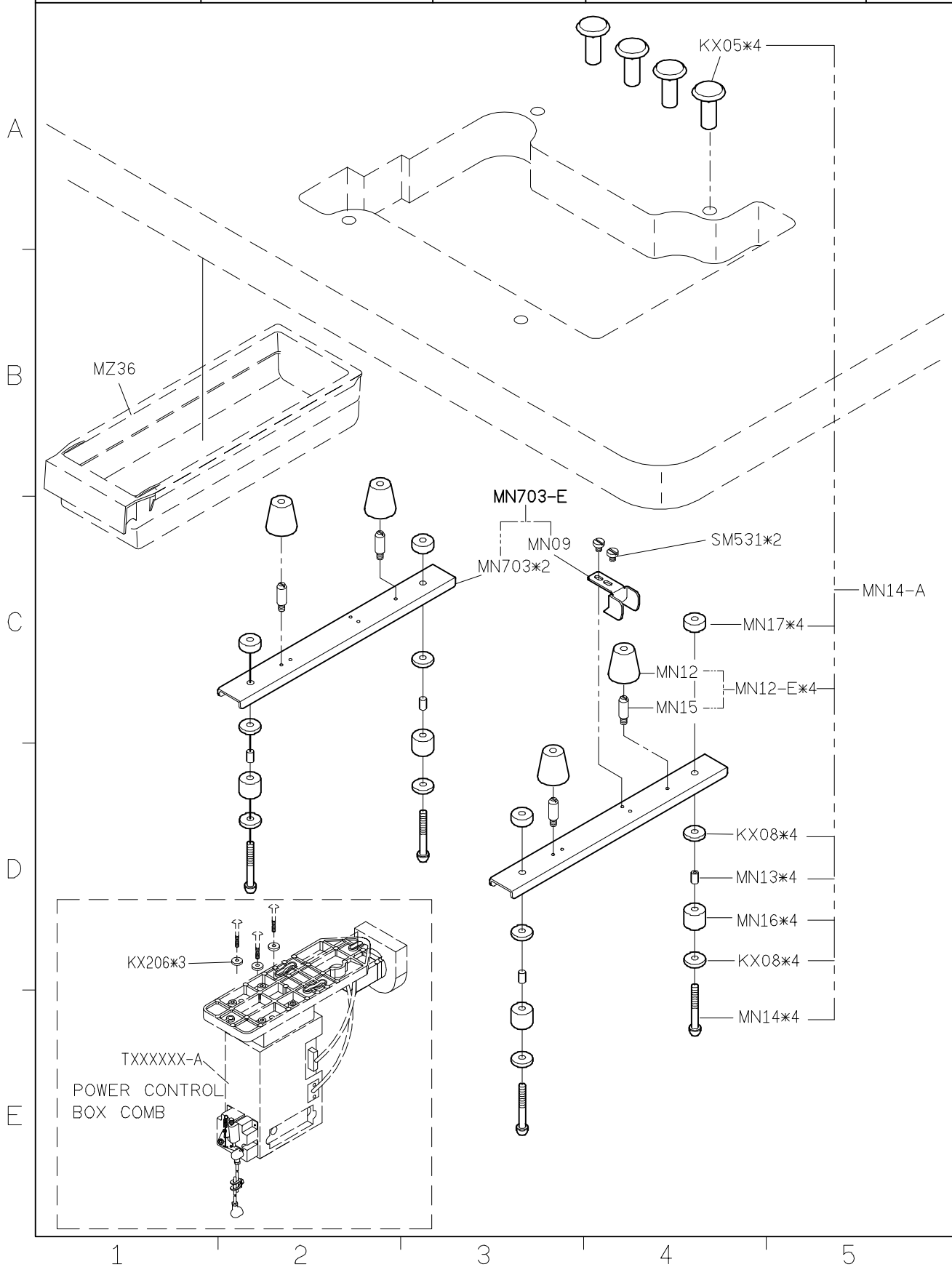
4

5

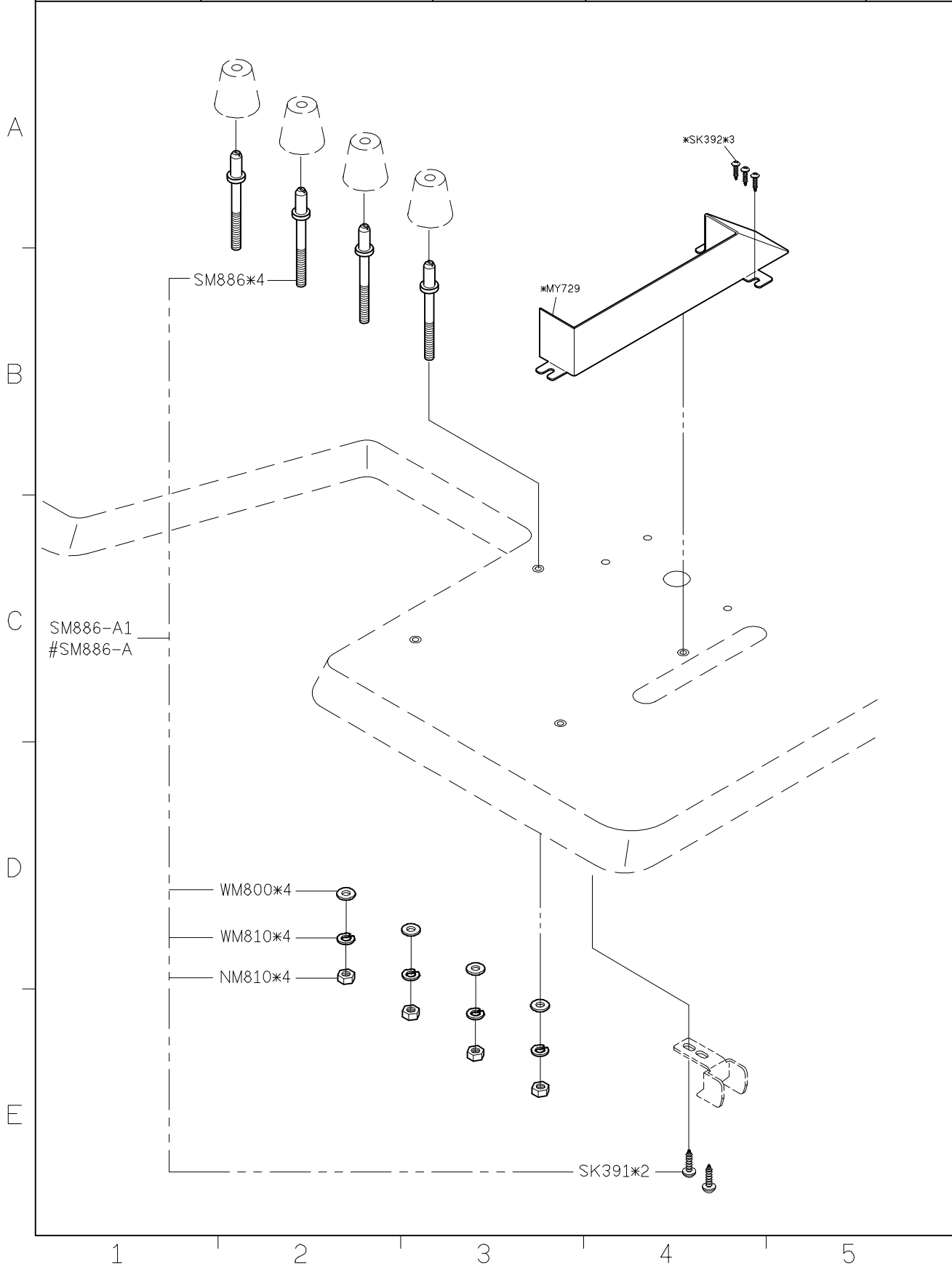
<b>SIRUBA</b> <b>PARTS LIST</b>	<b>Series</b>	<b>Parts Group</b>	<b>Subclass / Remark</b>	<b>Page</b>
	C007L/C007LX C007LQ/C007LQT	<b>MK-L</b>		1/1
				<b>Date</b>
				2023/8/14



<b>SIRUBA</b> PARTS LIST	<b>Series</b>	<b>Parts Group</b>	<b>Subclass / Remark</b>	<b>Page</b>
	C007L/C007LX	<b>MN-L</b>		1/2
	C007LQ/C007LQT			<b>Date</b>
				2023/8/14



SIRUBA PARTS LIST	Series	Parts Group	Subclass / Remark	Page
	C007L/C007LX	MN-L	*: Use for Without Direct-Drive Motor	2/2
				Date
				2023/8/14



**SIRUBA**

**PARTS LIST**

**Series**  
C007L  
C007LX  
C007LQ  
C007LQT

**Parts Group**

**MQ-L**

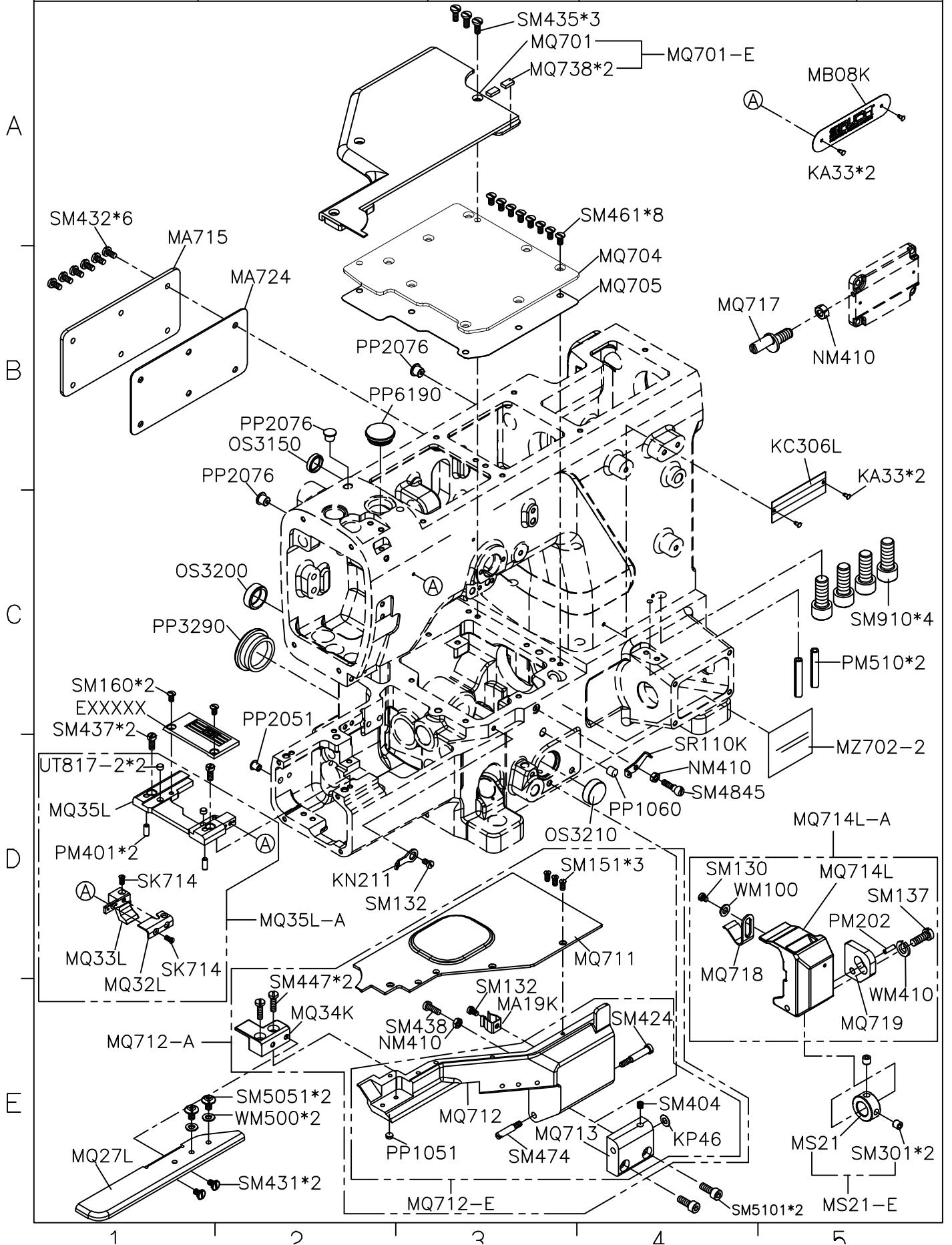
**Subclass / Remark**

**Page**

1/6

Date

2025/6/11





**SIRUBA****PARTS LIST****Series****C007LQ/C007LQT****Parts Group****MS-L****Subclass / Remark**

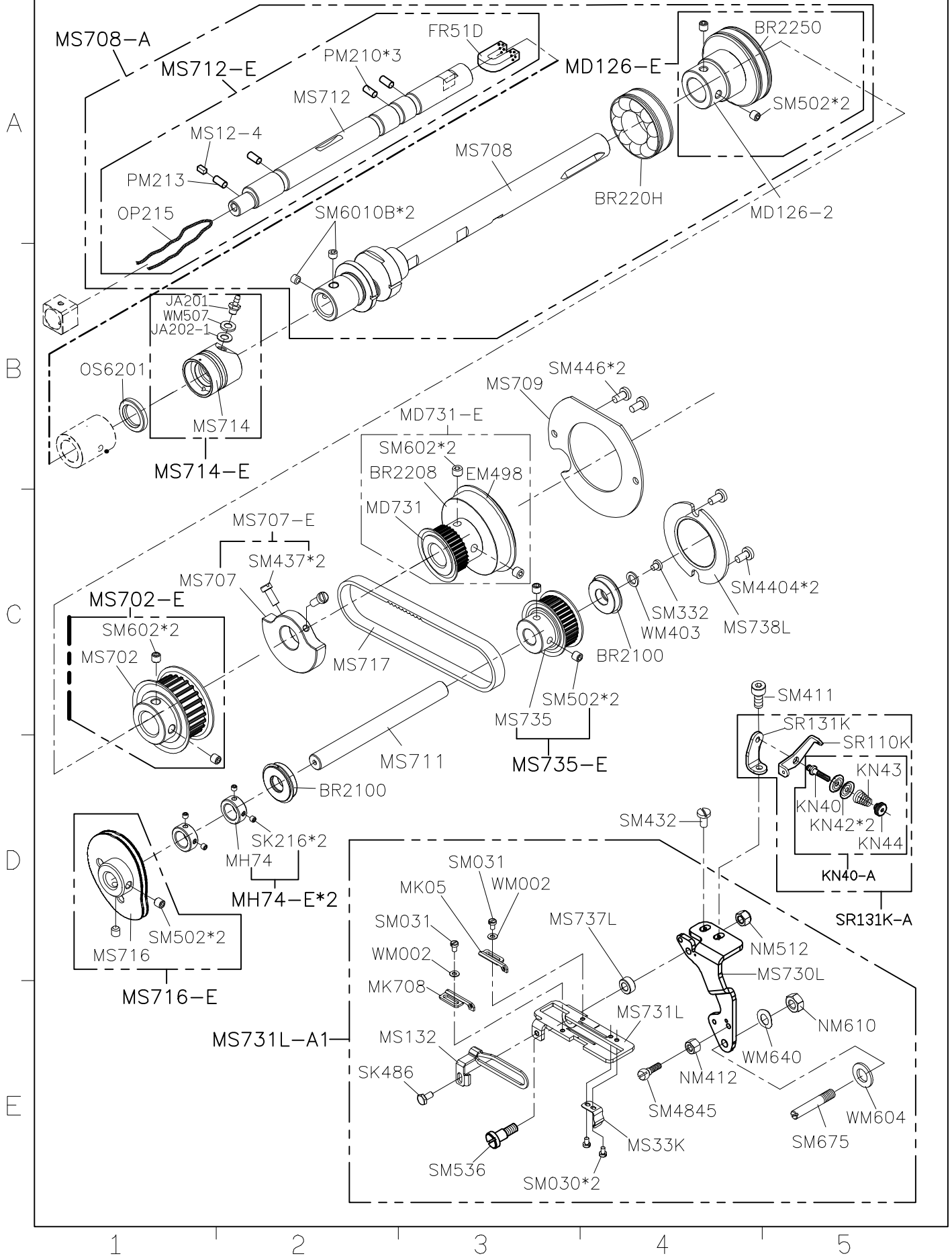
\*: Use for Without Direct-Drive Motor

**Page**

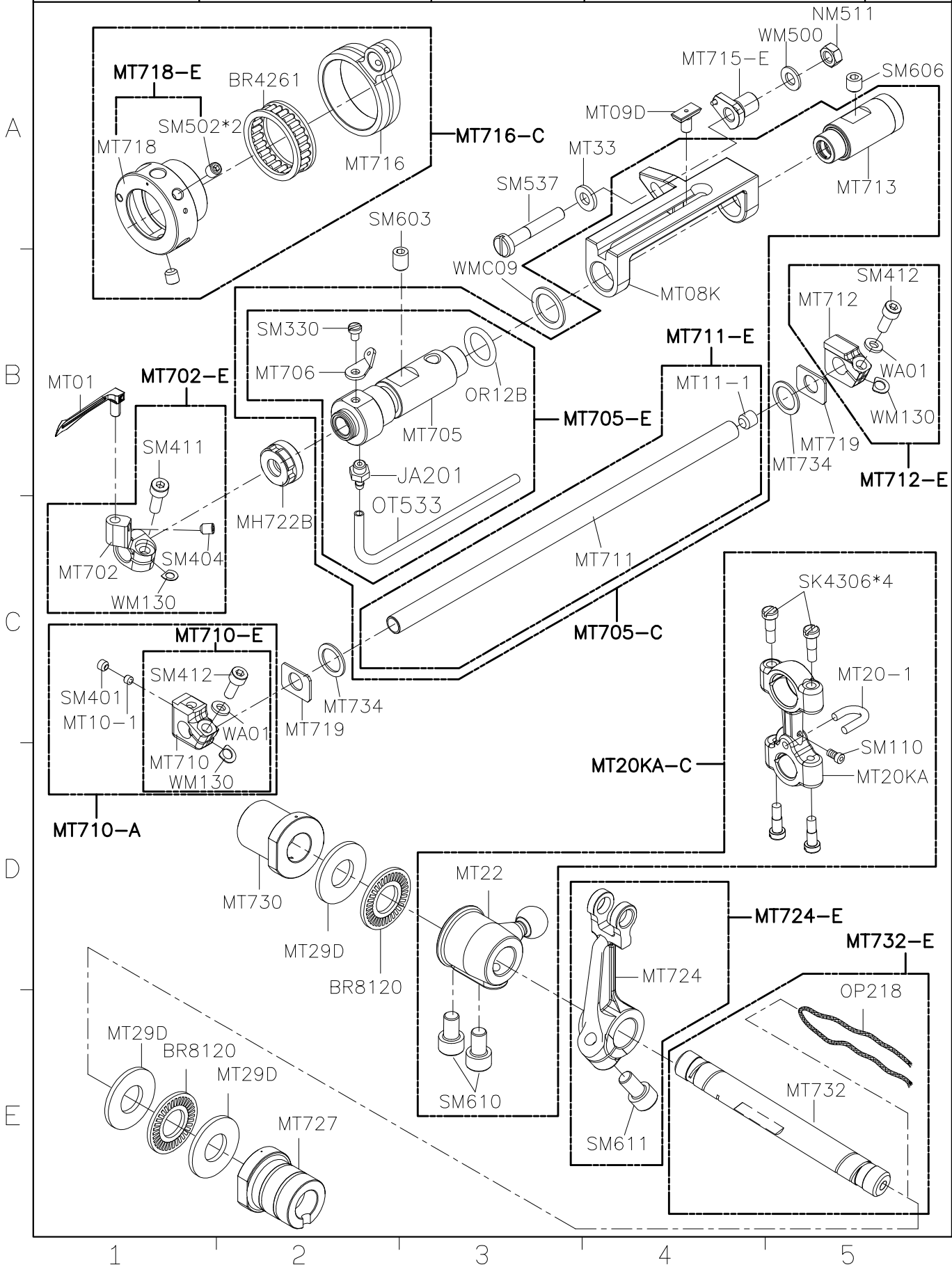
1/1

**Date**

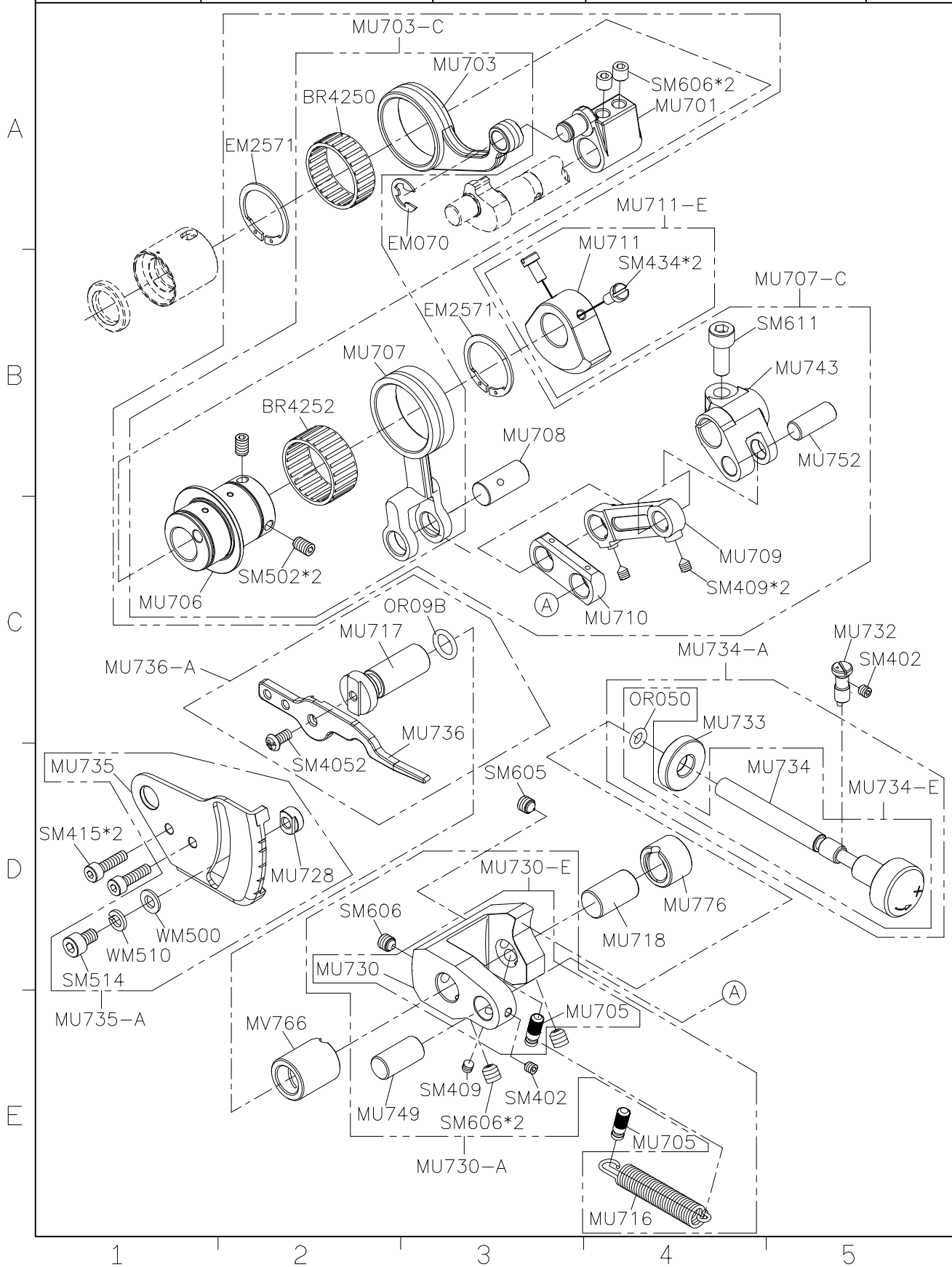
2024/07/05

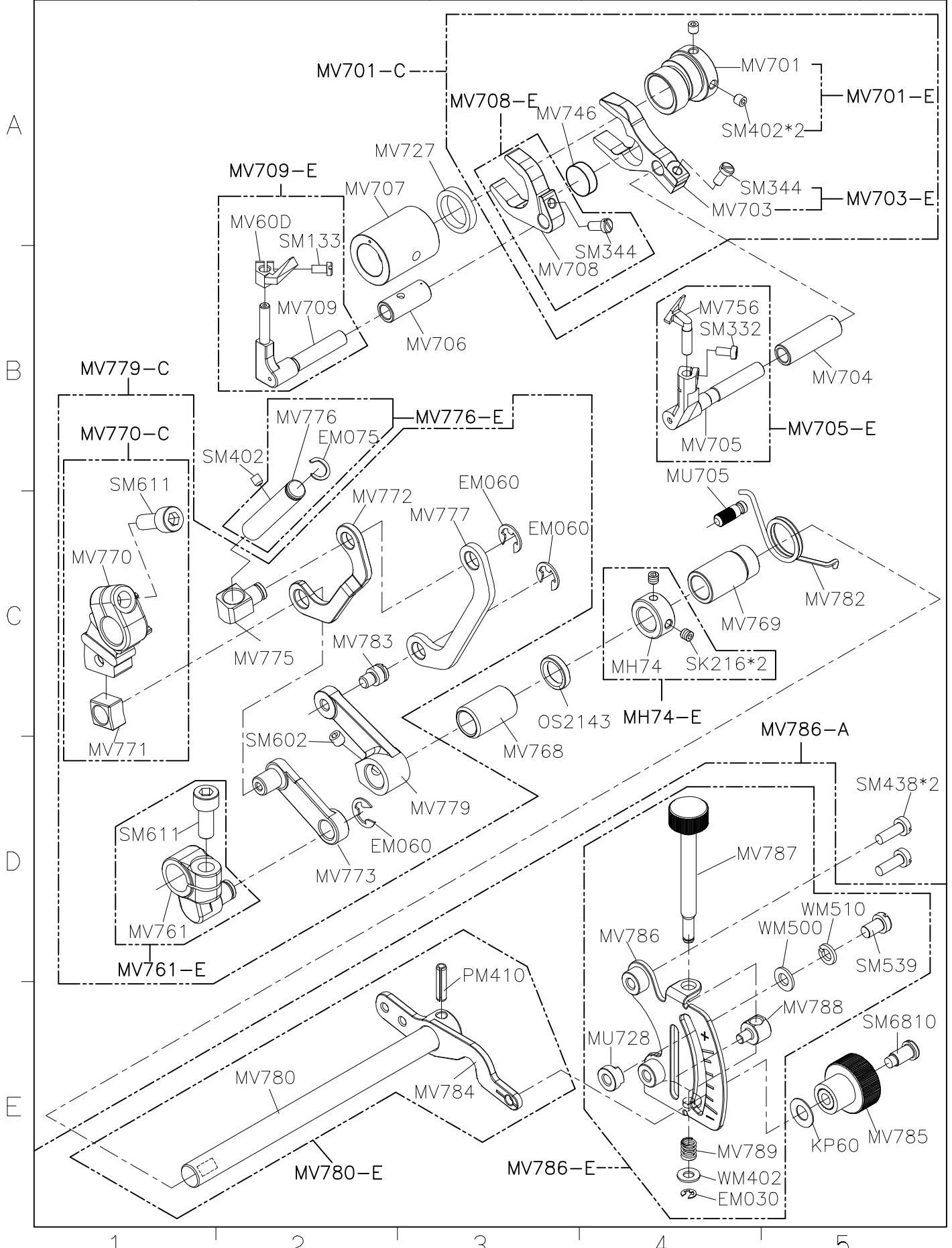


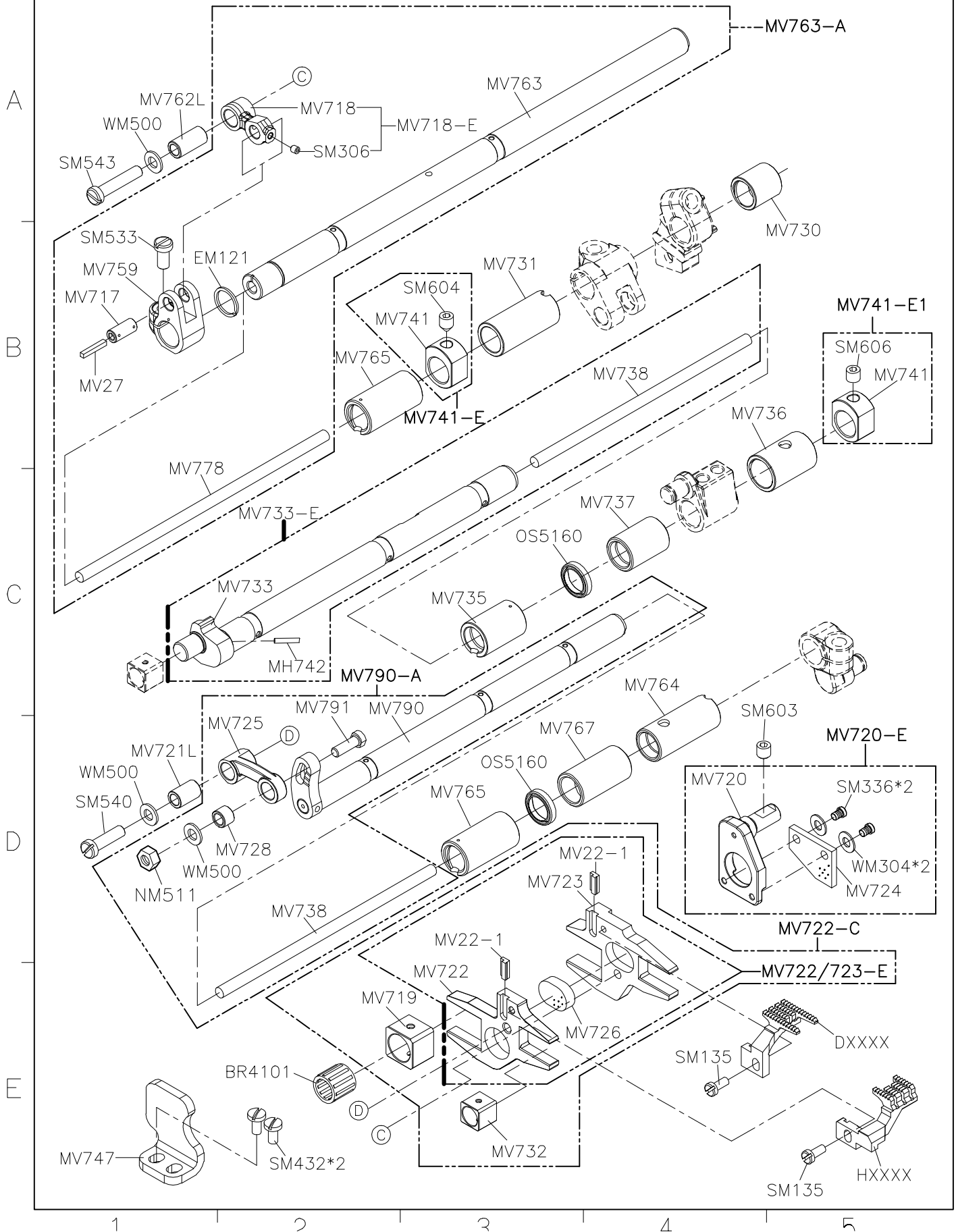
<b>SIRUBA</b>  PARTS LIST	Series	Parts Group	Subclass / Remark	Page
	C007L	<b>MT-L</b>		1/1
	C007LX			Date
	C007LQ			2025/07/04
C007LQT				



<b>SIRUBA</b> <b>PARTS LIST</b>	<b>Series</b>	<b>Parts Group</b>	<b>Subclass / Remark</b>	<b>Page</b>
	C007L/C007LX	<b>MU-L</b>		1/1
	C007LQ/C007LQT			<b>Date</b>
				2023/8/14







**SIRUBA**

**PARTS LIST**

**Series**  
**C007L**  
**C007LQ/C007LQT**

**Parts Group**  
**MW-L**

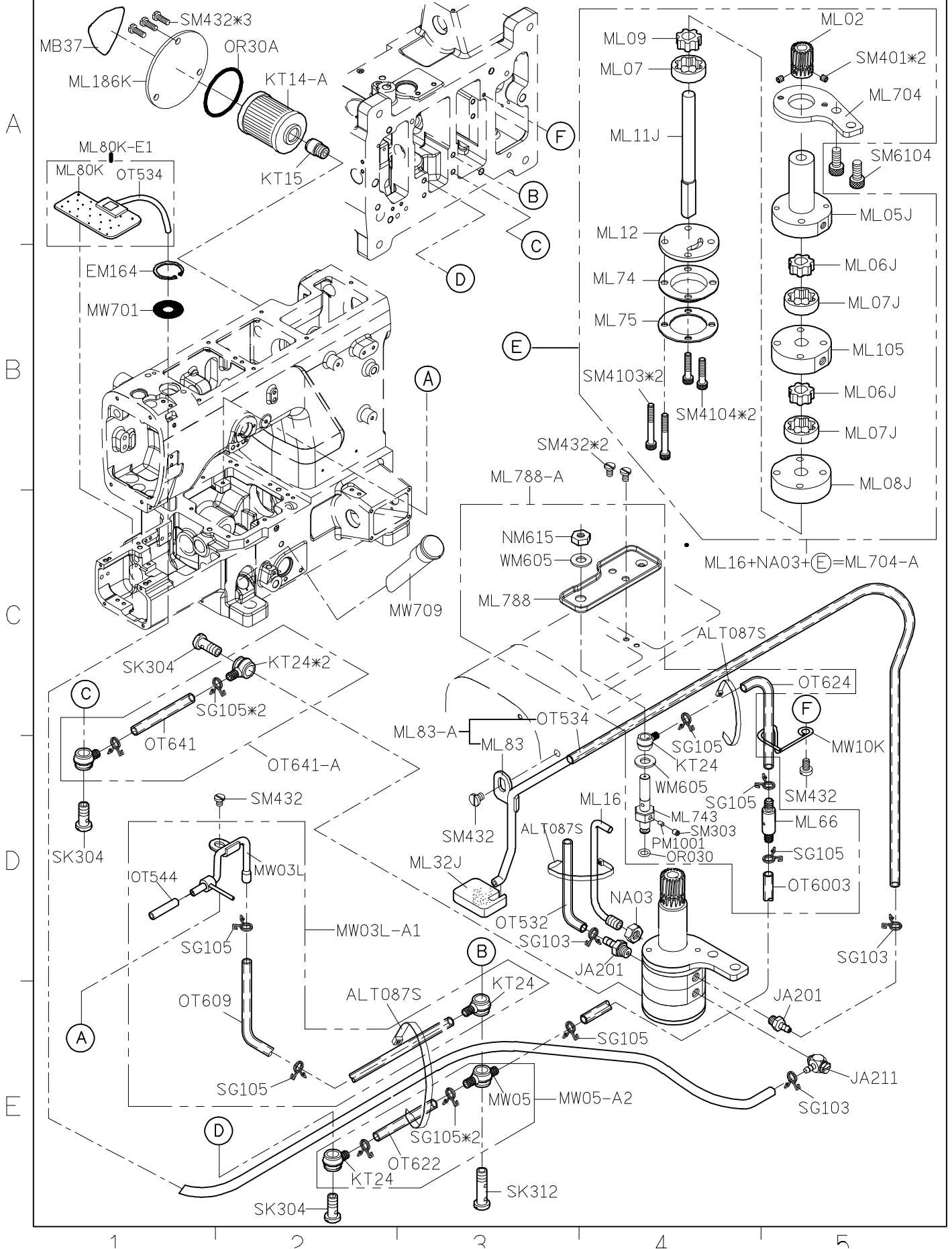
**Subclass / Remark**

**Page**

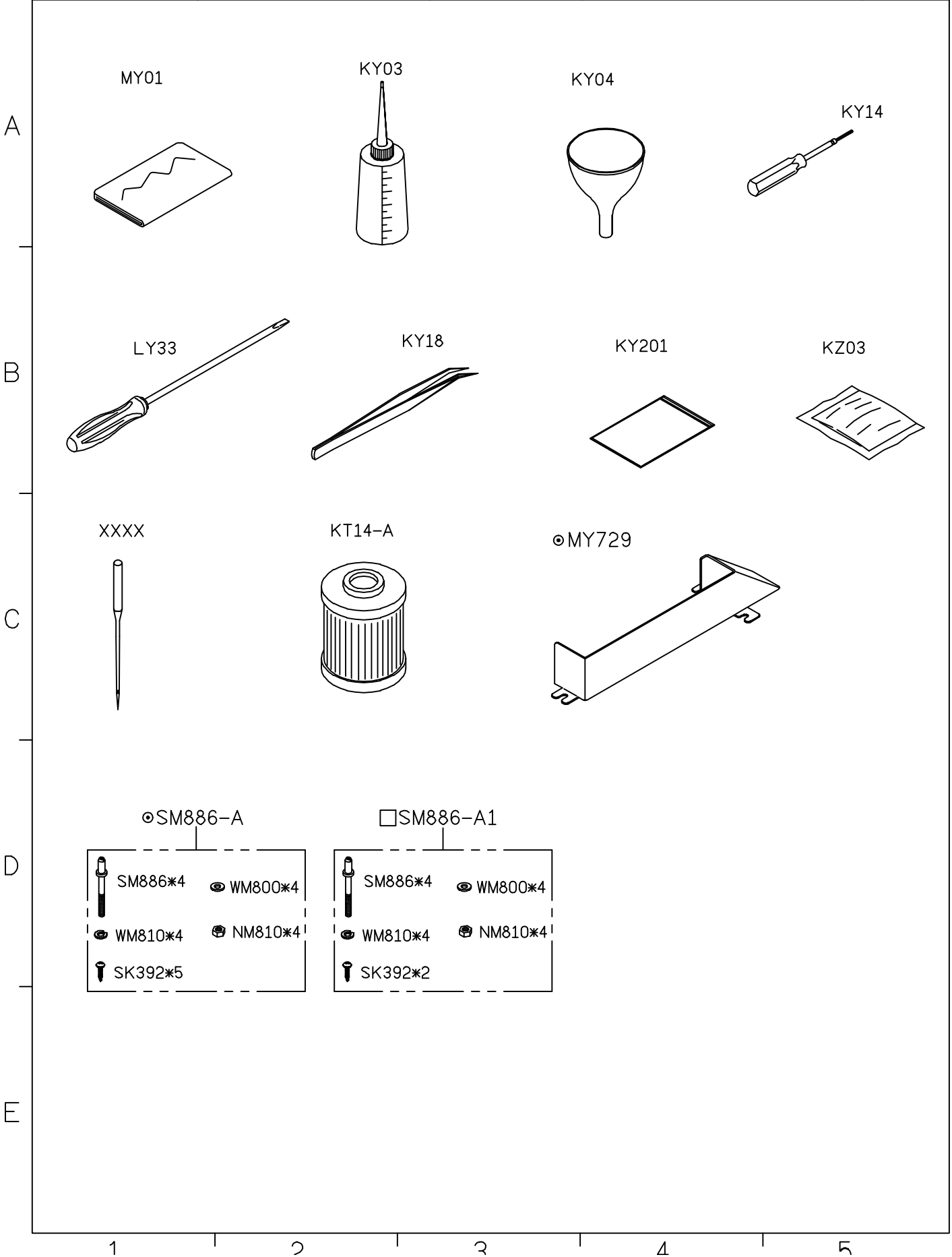
1/1

**Date**

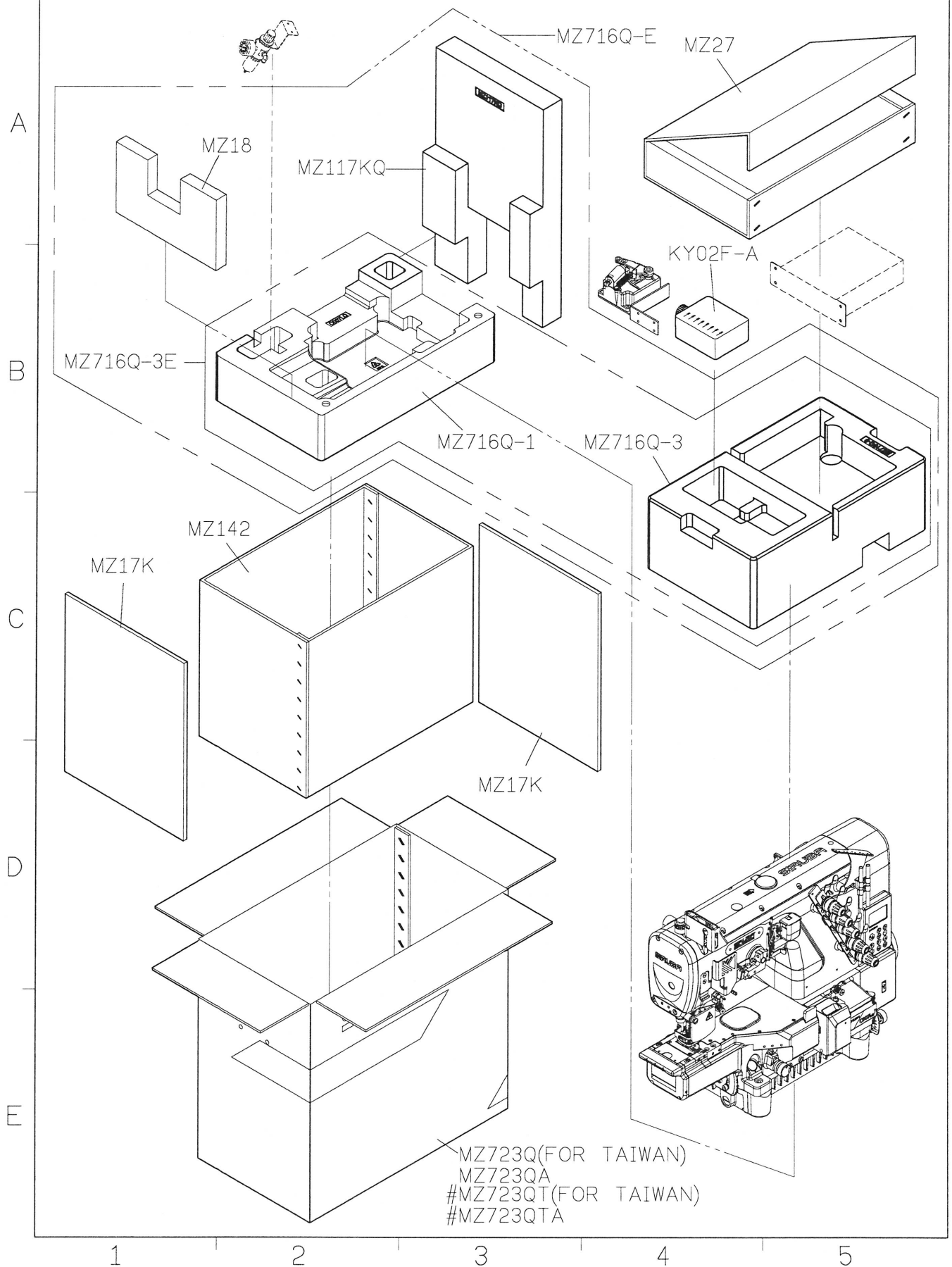
2023/8/14



SIRUBA PARTS LIST	Series	Parts Group	Subclass / Remark	Page
	C007L	MY-L	⊙ : Use for Without Direct-Drive Motor	1/1
	C007LX		□ : Use for With Direct-Drive Motor	Date
	C007LQ			2025/6/11
C007LQT				



<b>SIRUBA</b> PARTS LIST	Series	Parts Group	Subclass / Remark	Page
	C007LQ/C007LQT	MZ-LQ	#: Use for C007LQT	1/1
				Date
				2023/8/14



SIRUBA PARTS LIST	Series	Parts Group	Subclass / Remark	Page
	C007LQ/C007LQT	KW		1/1
	C007K/C007L			Date
	C007KP/F007K			2023/9/20
S007K/U007				

KW01E-A

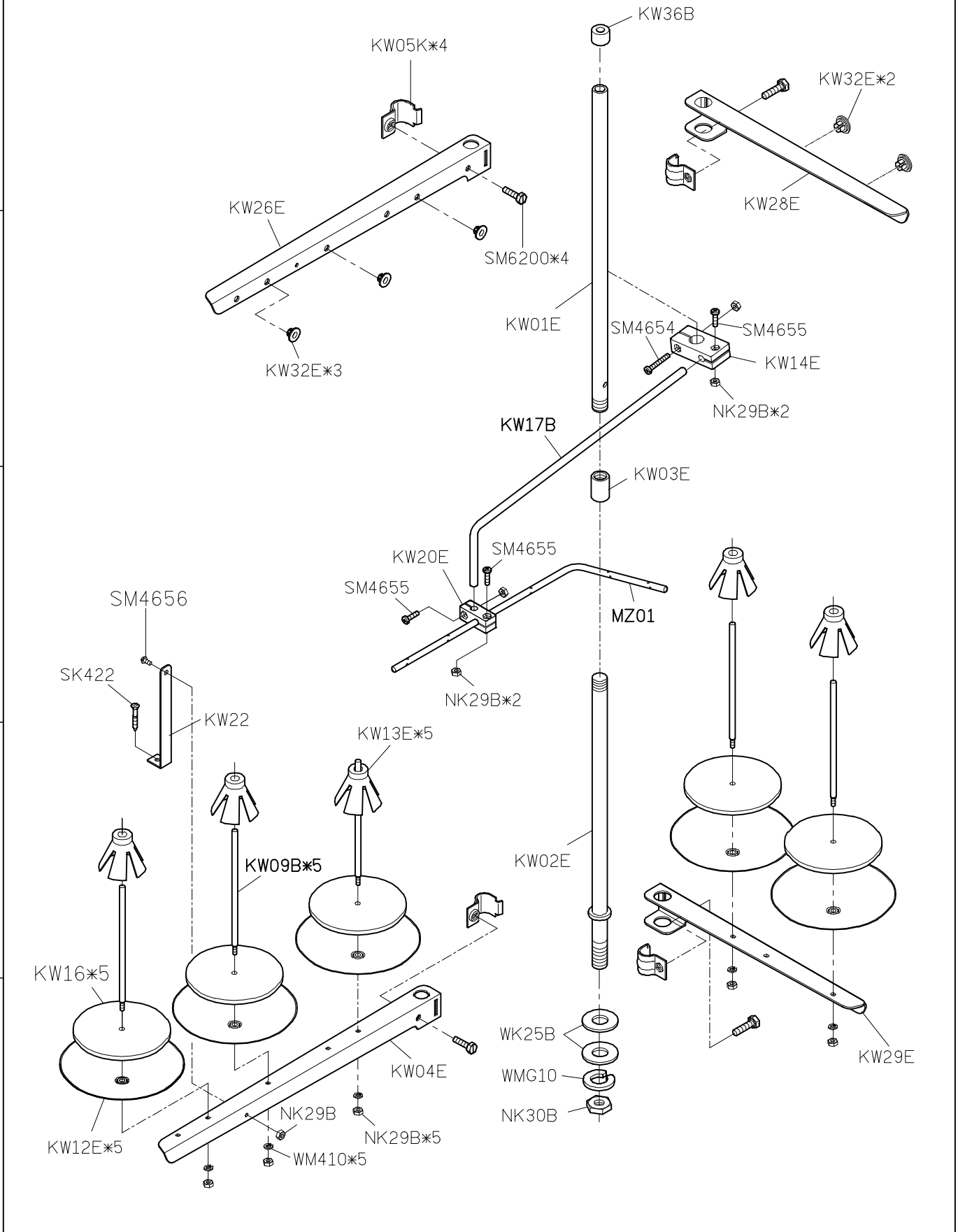
A

B

C

D

E



1

2

3

4

5

**SIRUBA**TABLE  
CUT - OUT

Series

C007L  
C007LQ/C007LQT

Item Code

C007LD-T25

Subclass / Remark

Mounting

Non-submerged

Date

2023/9/08

