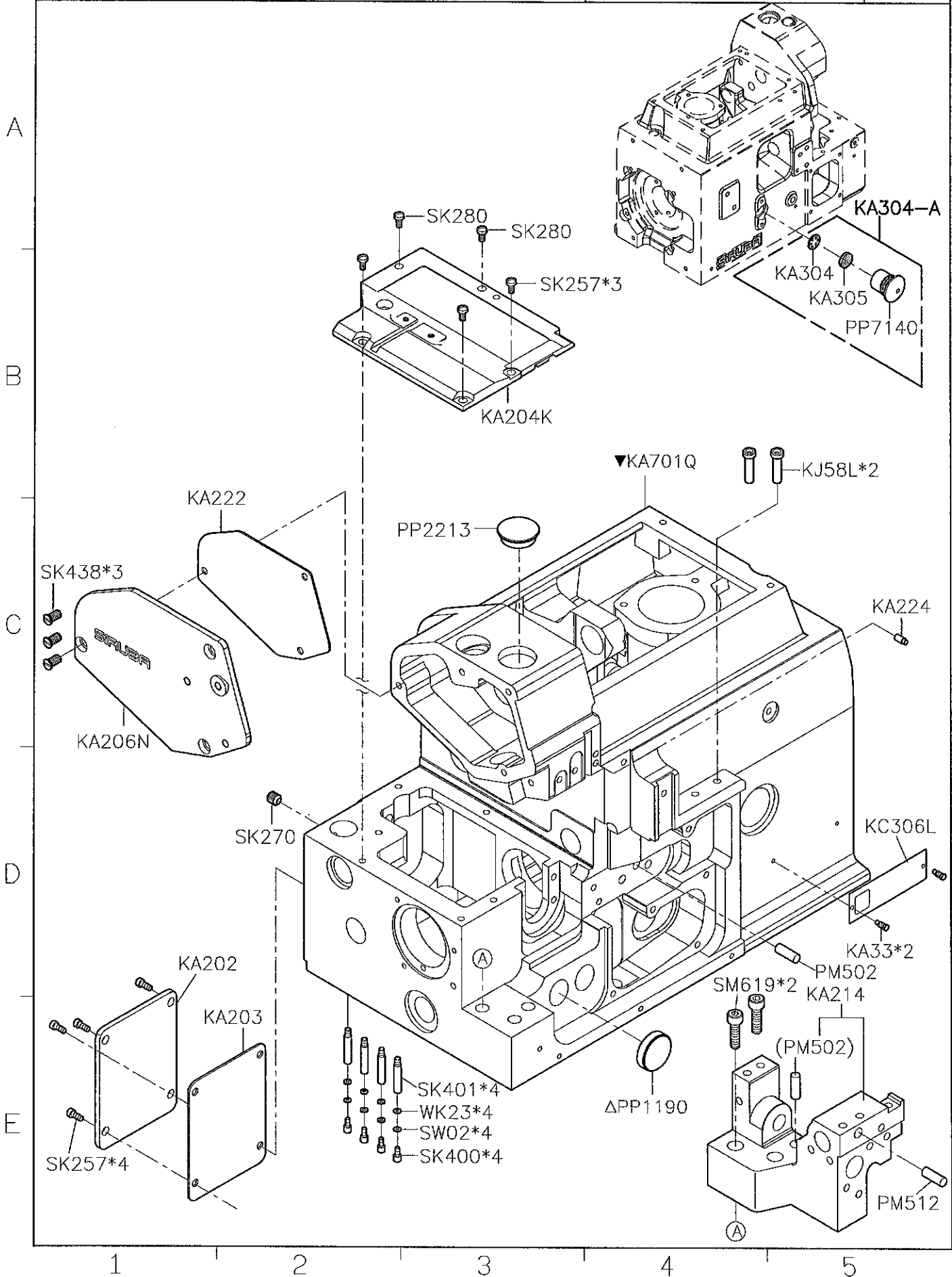
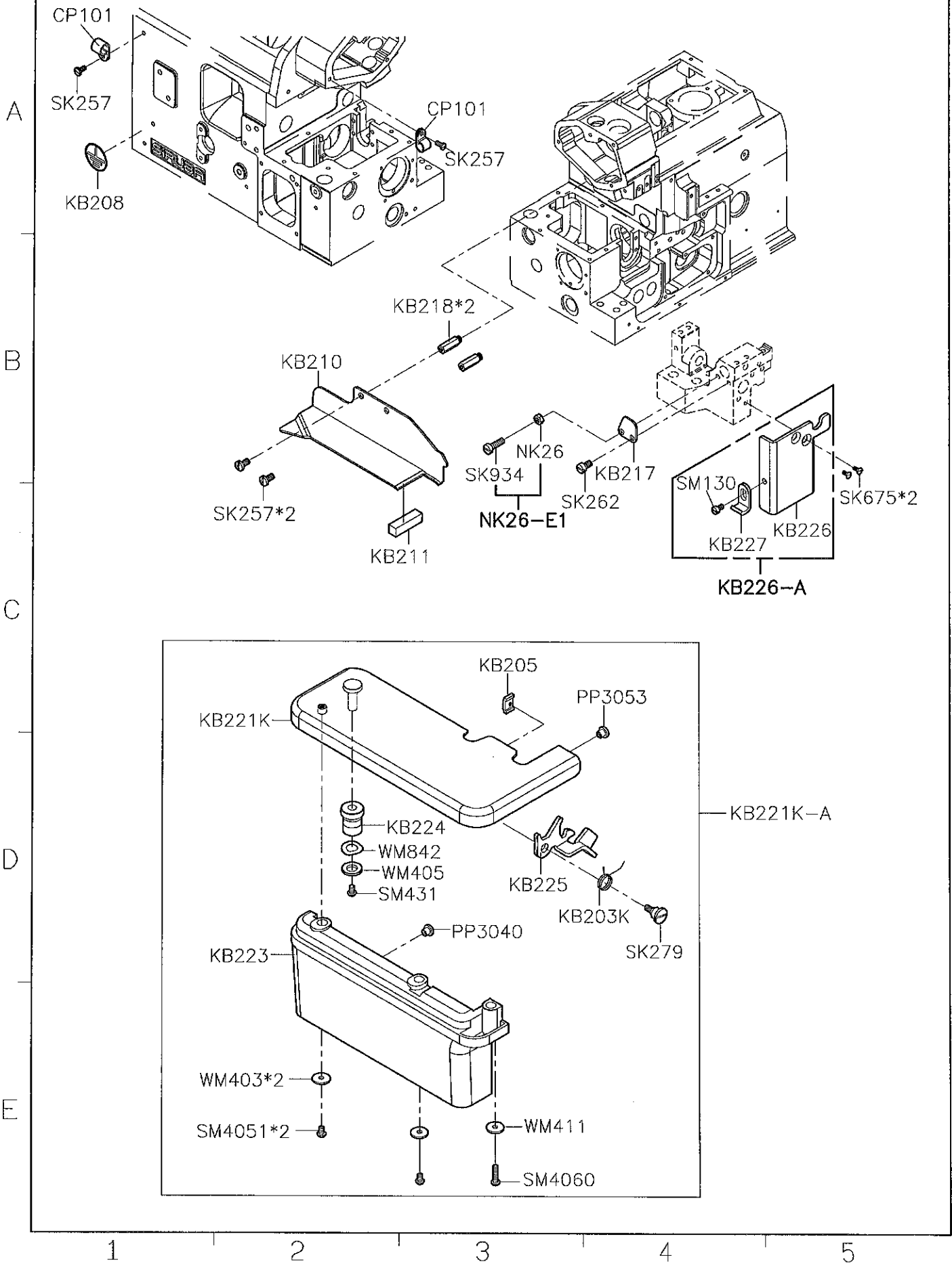


SIRUBA PARTS LIST	Series	Parts Group	Subclass / Remark	Page
	700N	KA	△: Use for #4 ▼: Use without ECM-N(SCT)(SCF)	1/1
				Date
				2025/08/04



SIRUBA PARTS LIST	Series	Parts Group	Subclass / Remark	Page
	700N	KB		1/1
				Date
				2025/08/04



SIRUBA

PARTS LIST

Series

700N

Parts Group

KC

Subclass / Remark

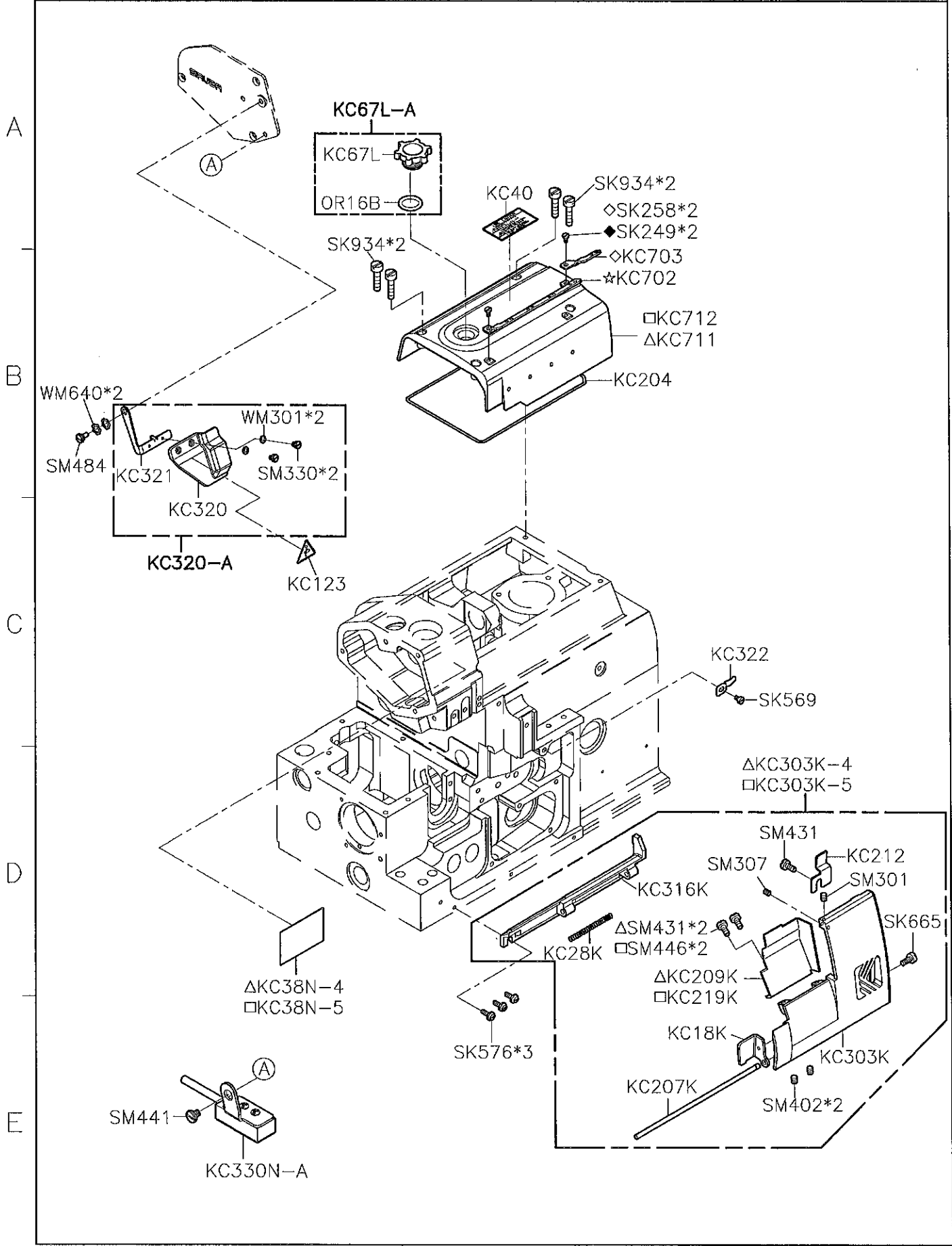
- △: Use for #3(#4)
- : Use for #5(#6)
- ◇: Use for #6
- ◆: Use for without #6
- ☆: Use for #3(#4)(#5)

Page

1/1

Date

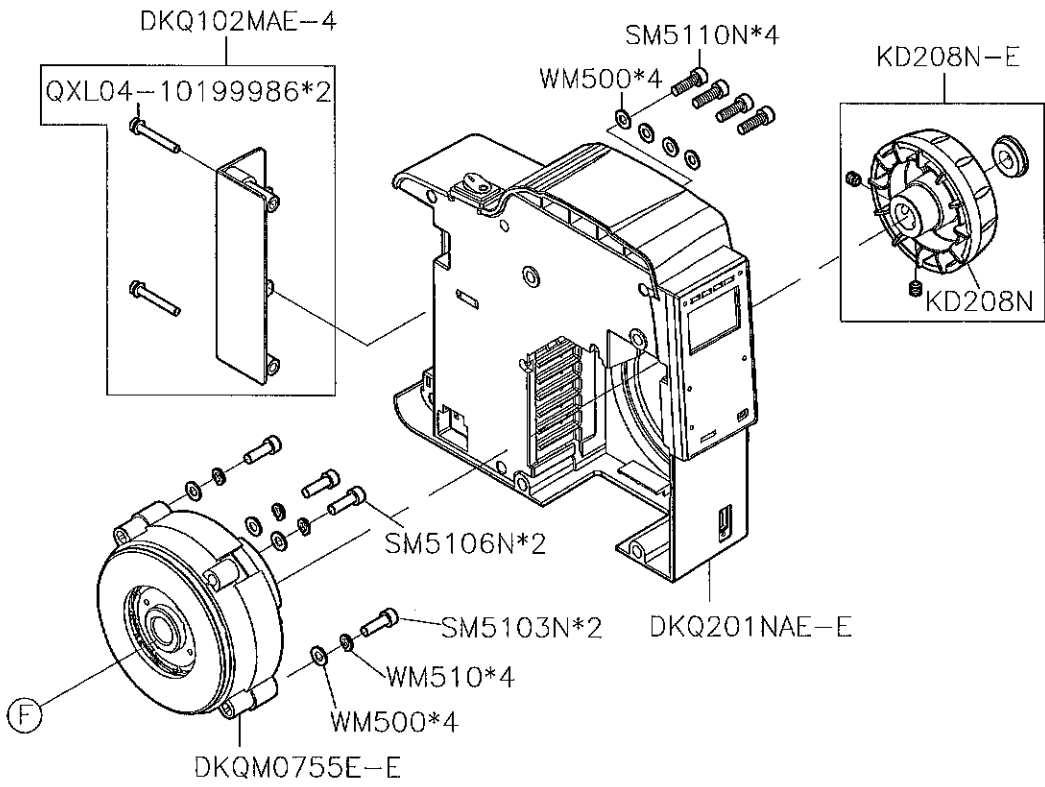
2025/08/04



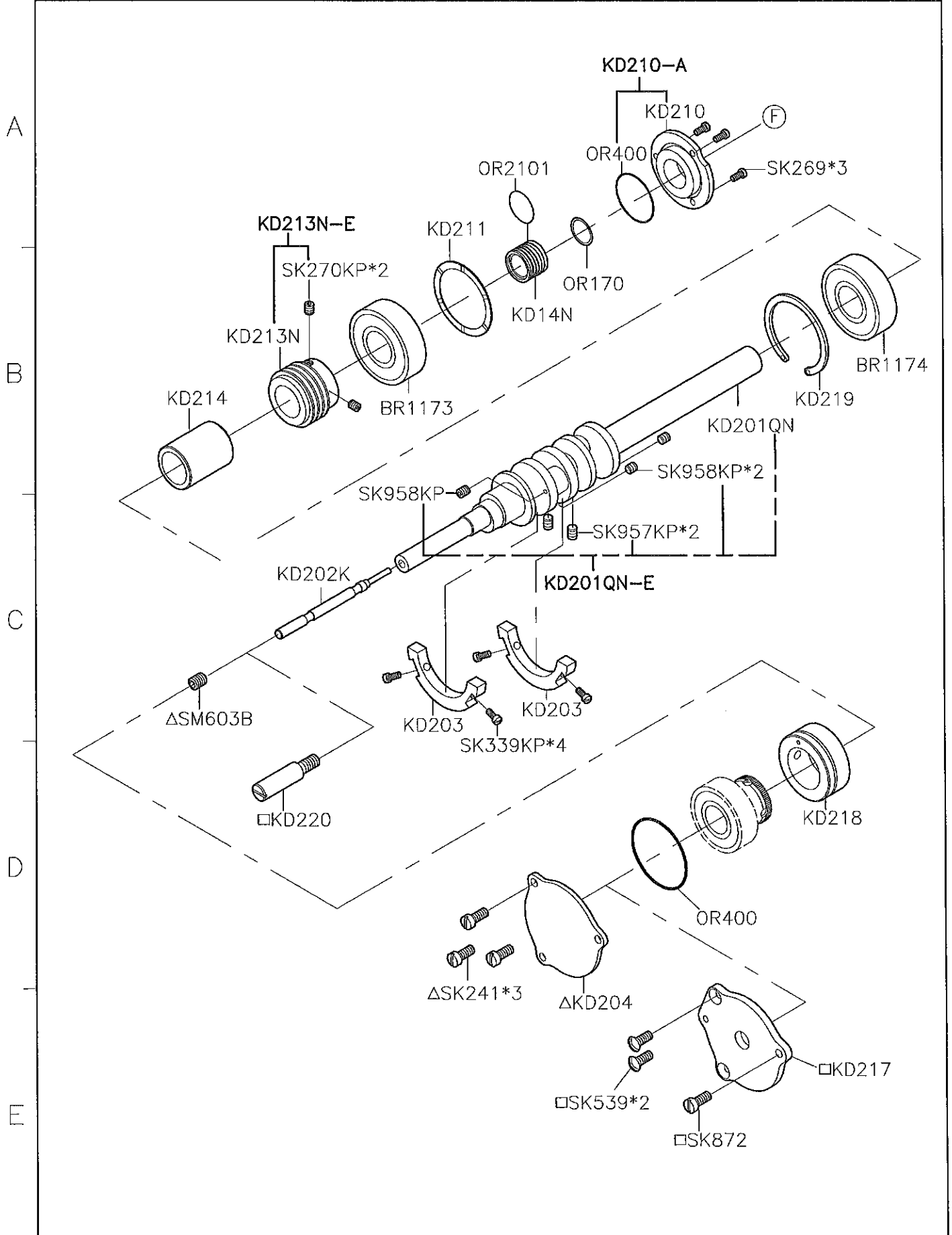
1 2 3 4 5

SIRUBA PARTS LIST	Series	Parts Group	Subclass / Remark	Page
	700N	KD		2/2
				Date
				2025/08/04

A
B
C
D
E

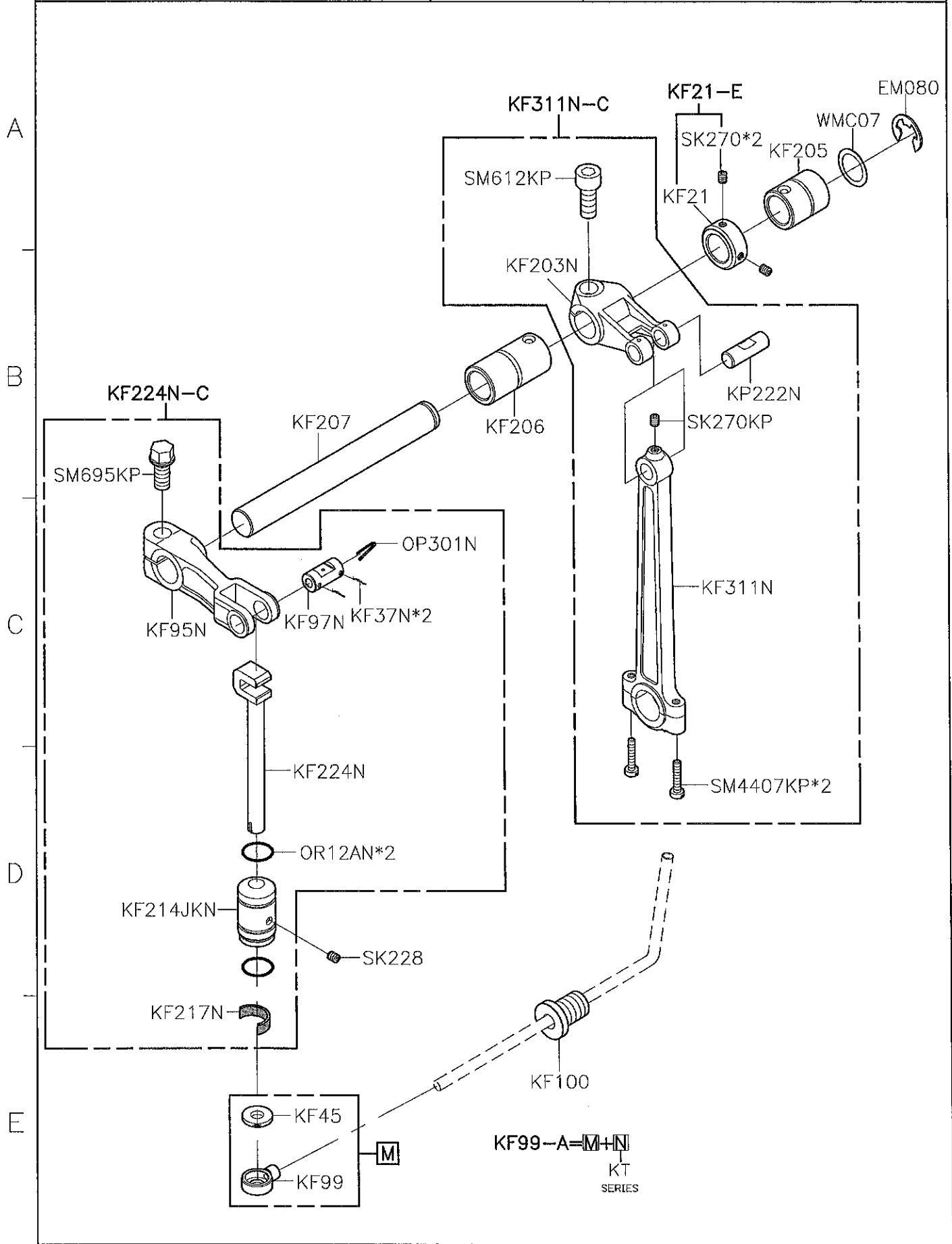


SIRUBA PARTS LIST	Series	Parts Group	Subclass / Remark	Page
	700N	KD	Δ: Use for #4 □: Use for #5	1/2
				Date
				2025/08/04



1 2 3 4 5

SIRUBA PARTS LIST	Series	Parts Group	Subclass / Remark	Page
	700N	KF		1/1
				Date
				2025/08/04



1 2 3 4 5

SIRUBA

PARTS LIST

Series

700N

Parts Group

KG

Subclass / Remark

Use for #3 此頁僅限3線機型專用

Page

1/4

Date

2025/08/04

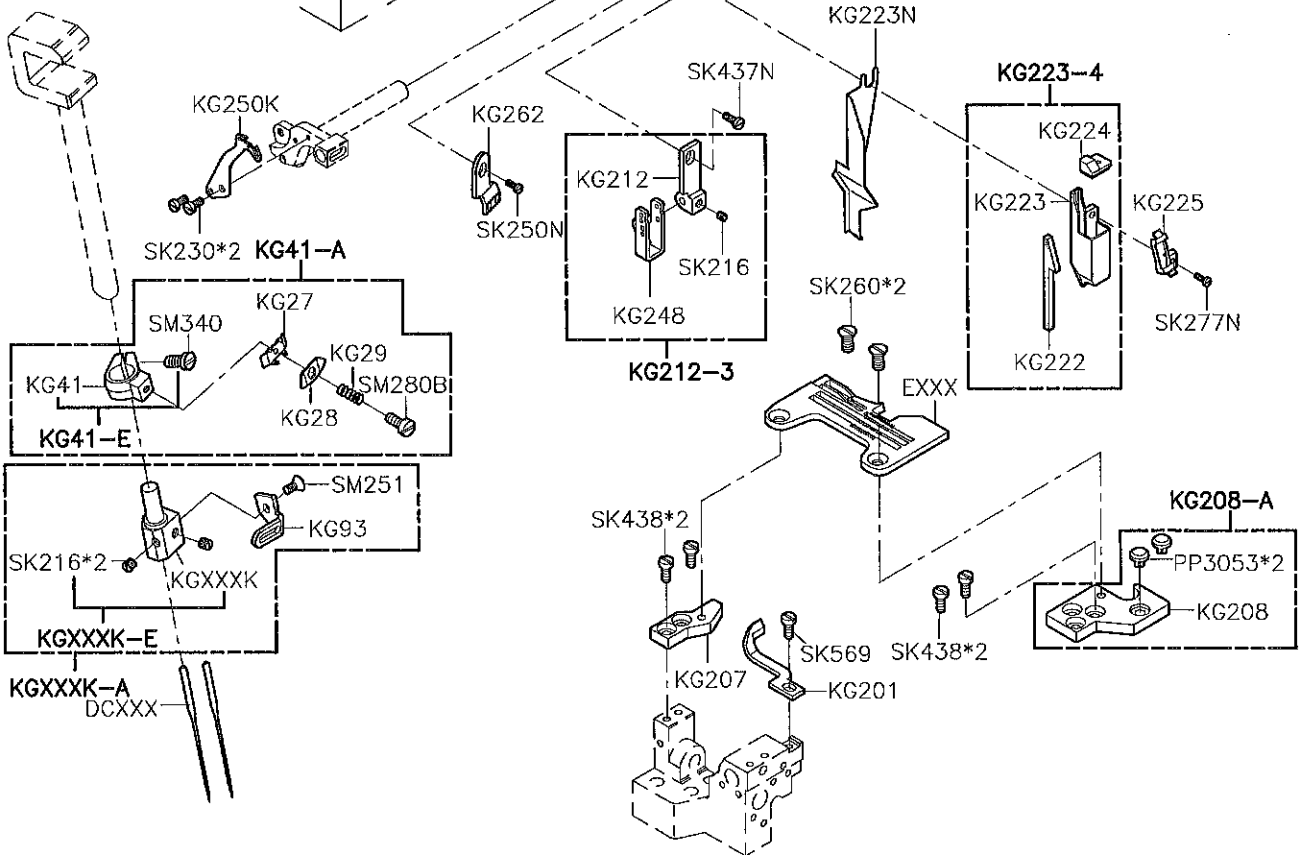
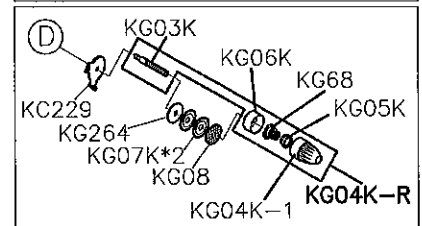
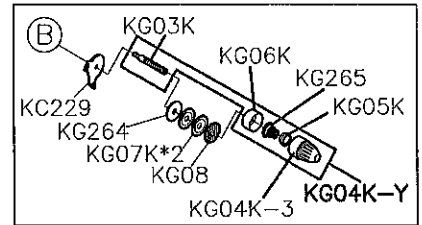
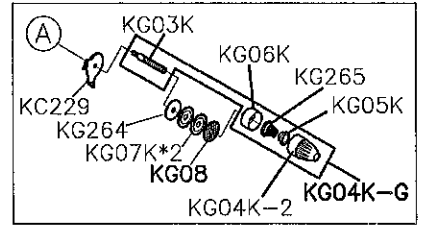
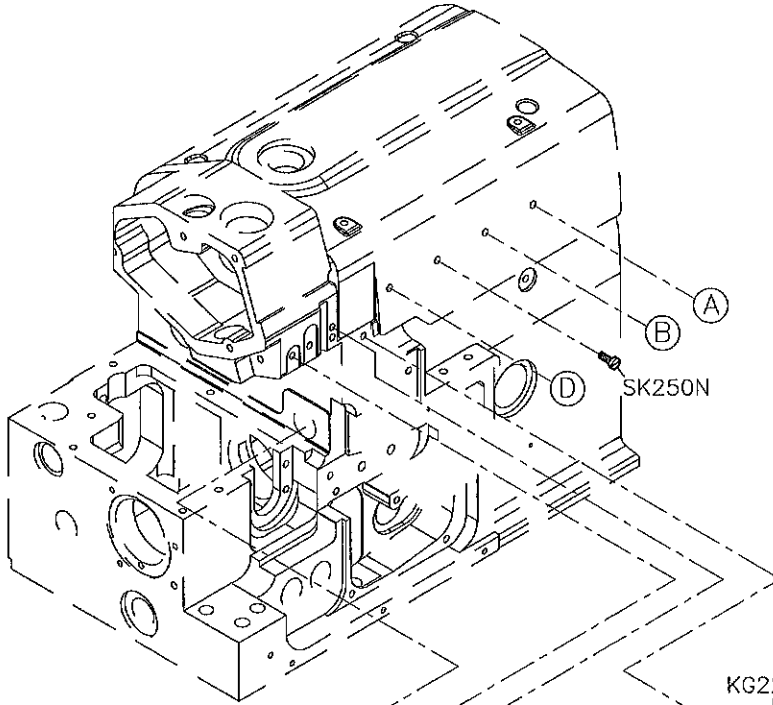
A

B

C

D

E



1

2

3

4

5

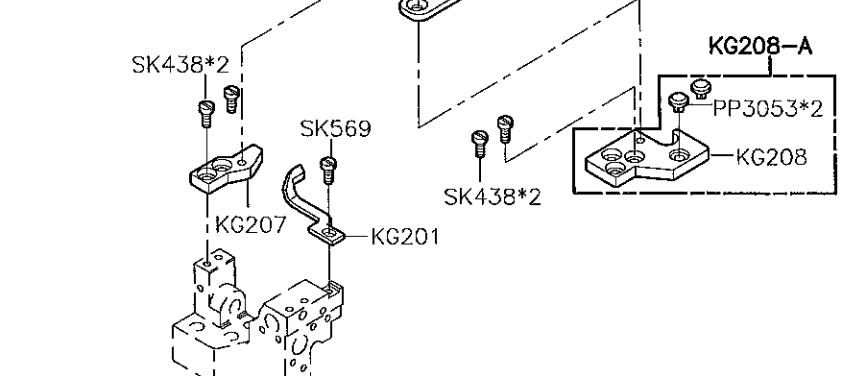
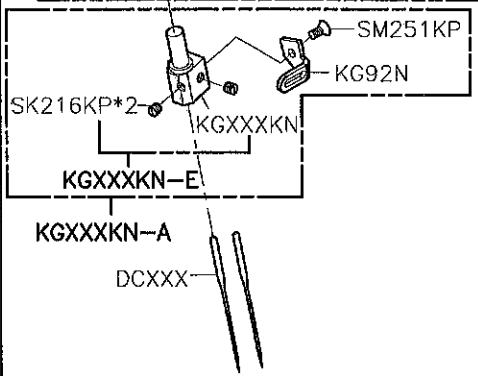
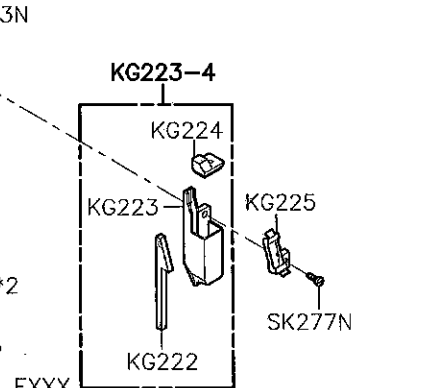
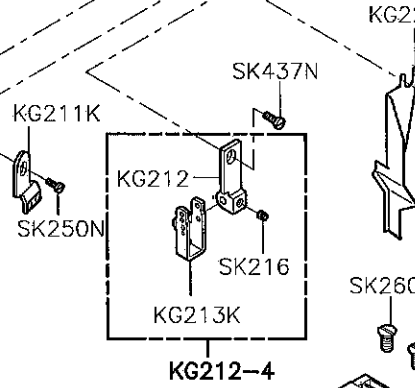
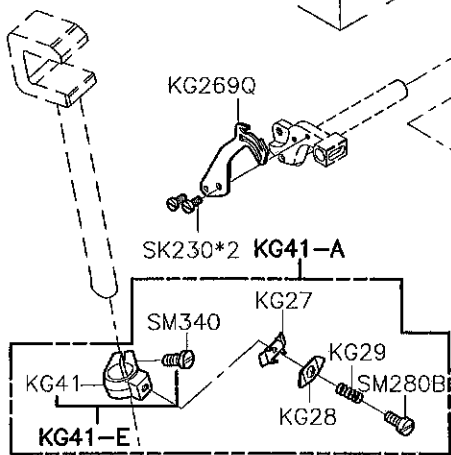
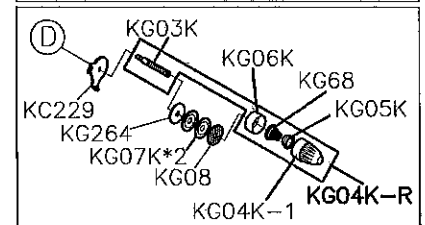
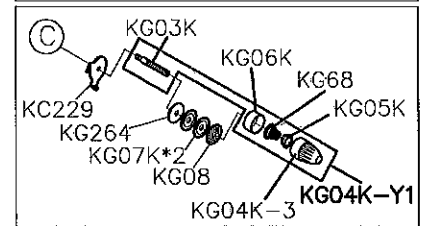
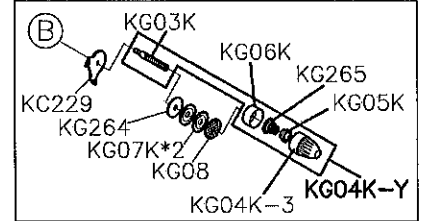
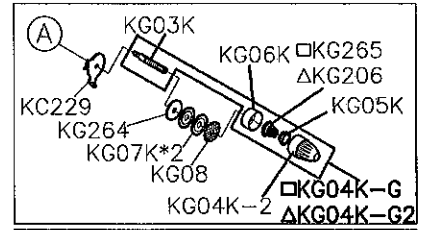
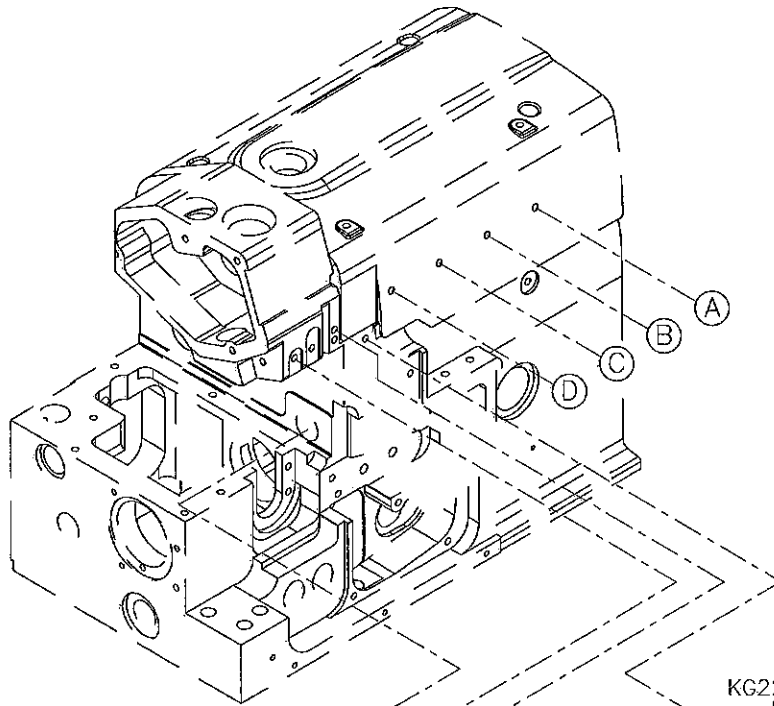
A

B

C

D

E



1

2

3

4

5

SIRUBA

PARTS LIST

Series

700N

Parts Group

KG

Subclass / Remark

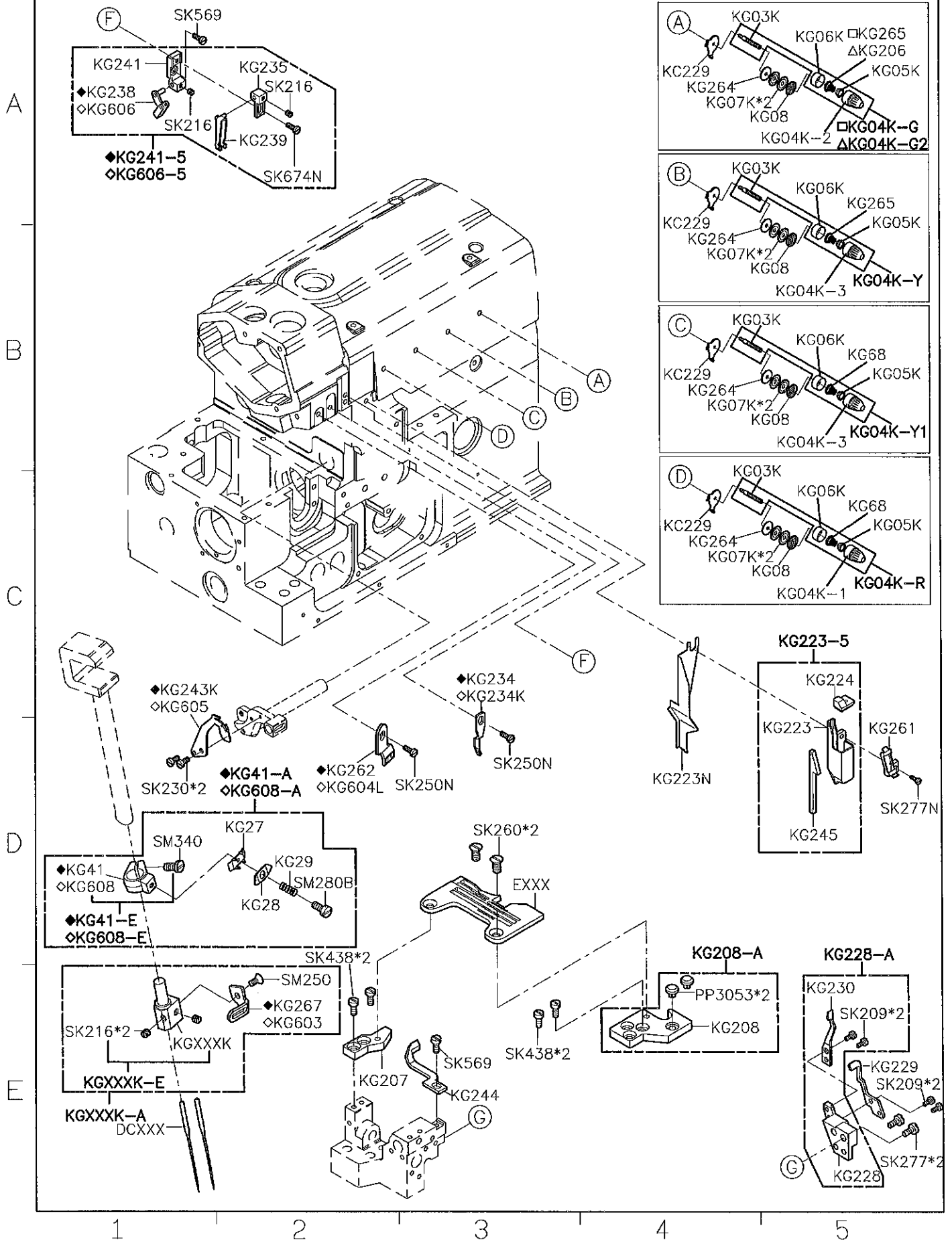
Use for #5 此頁僅限5線機型專用
△: Use for H-3(H-4)(X-3)
□: Use for without H-3(H-4)(X-3)
◇: Use for X-3
◆: Use for without X-3

Page

3/4

Date

2025/08/04



SIRUBA

PARTS LIST

Series

700N

Parts Group

KG

Subclass / Remark

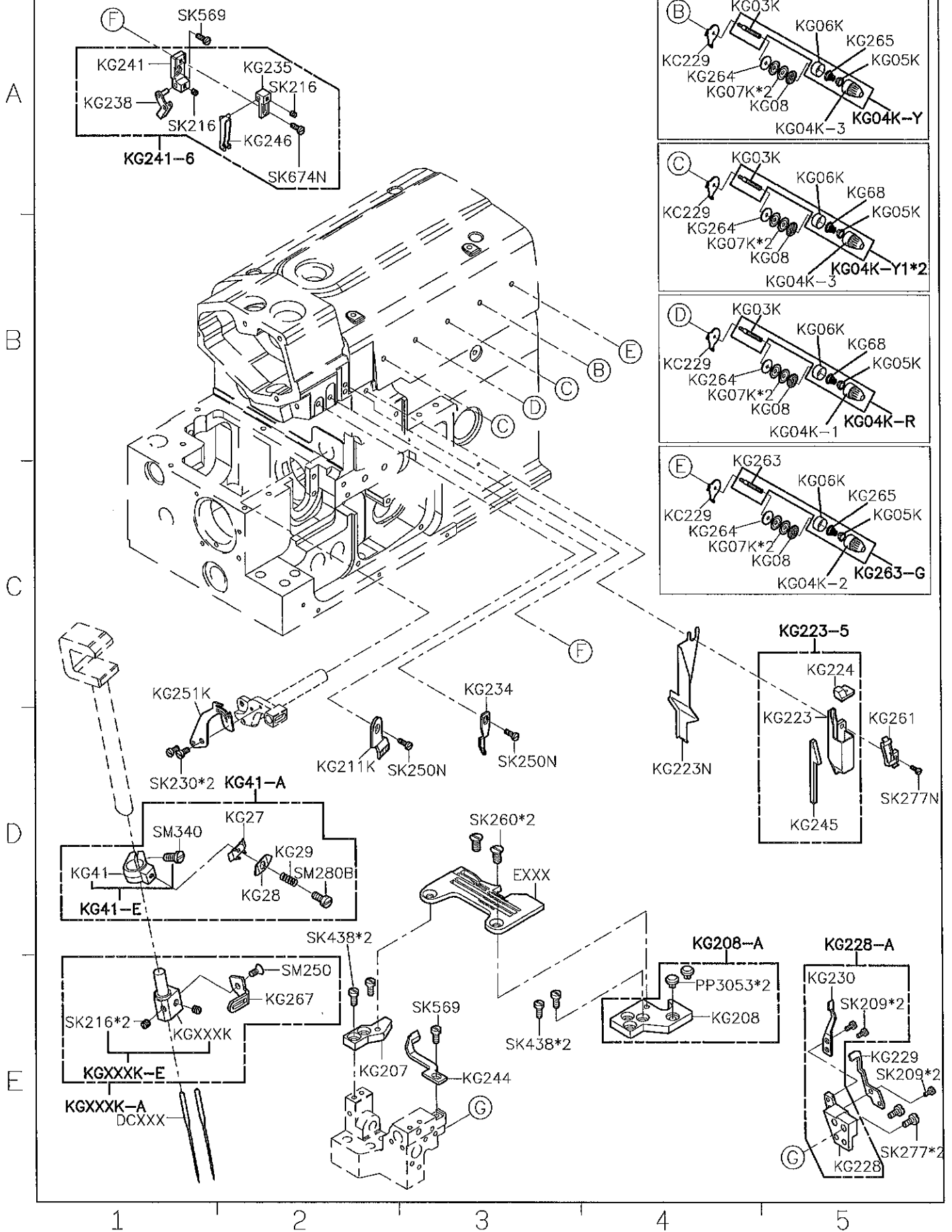
Use for #6 此頁僅限6線機型專用

Page

4/4

Date

2025/08/04



SIRUBA

PARTS LIST

Series

700N

Parts Group

KJ

Subclass / Remark

△: Use for #4

□: Use for #5

Page

1/1

Date

2025/08/04

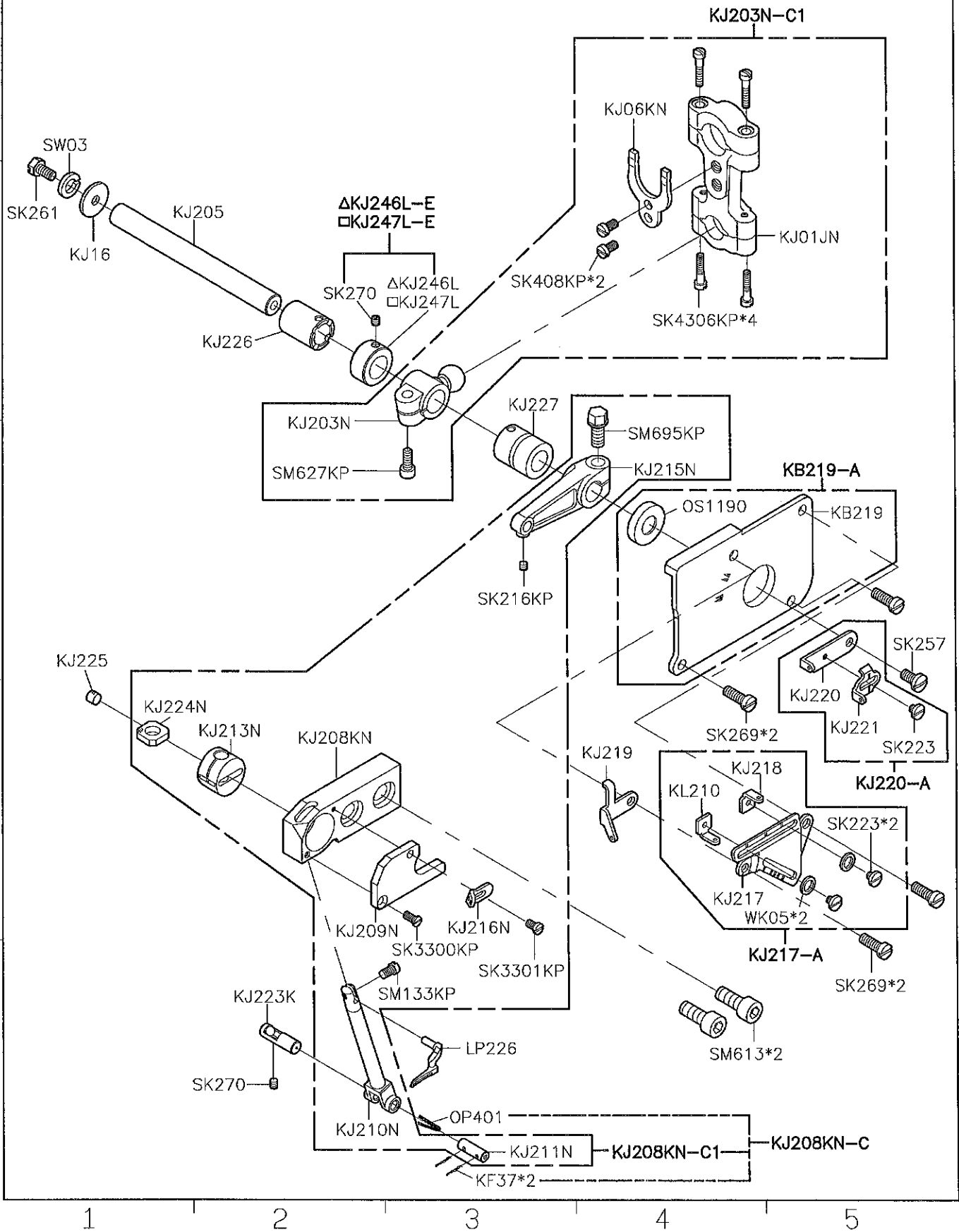
A

B

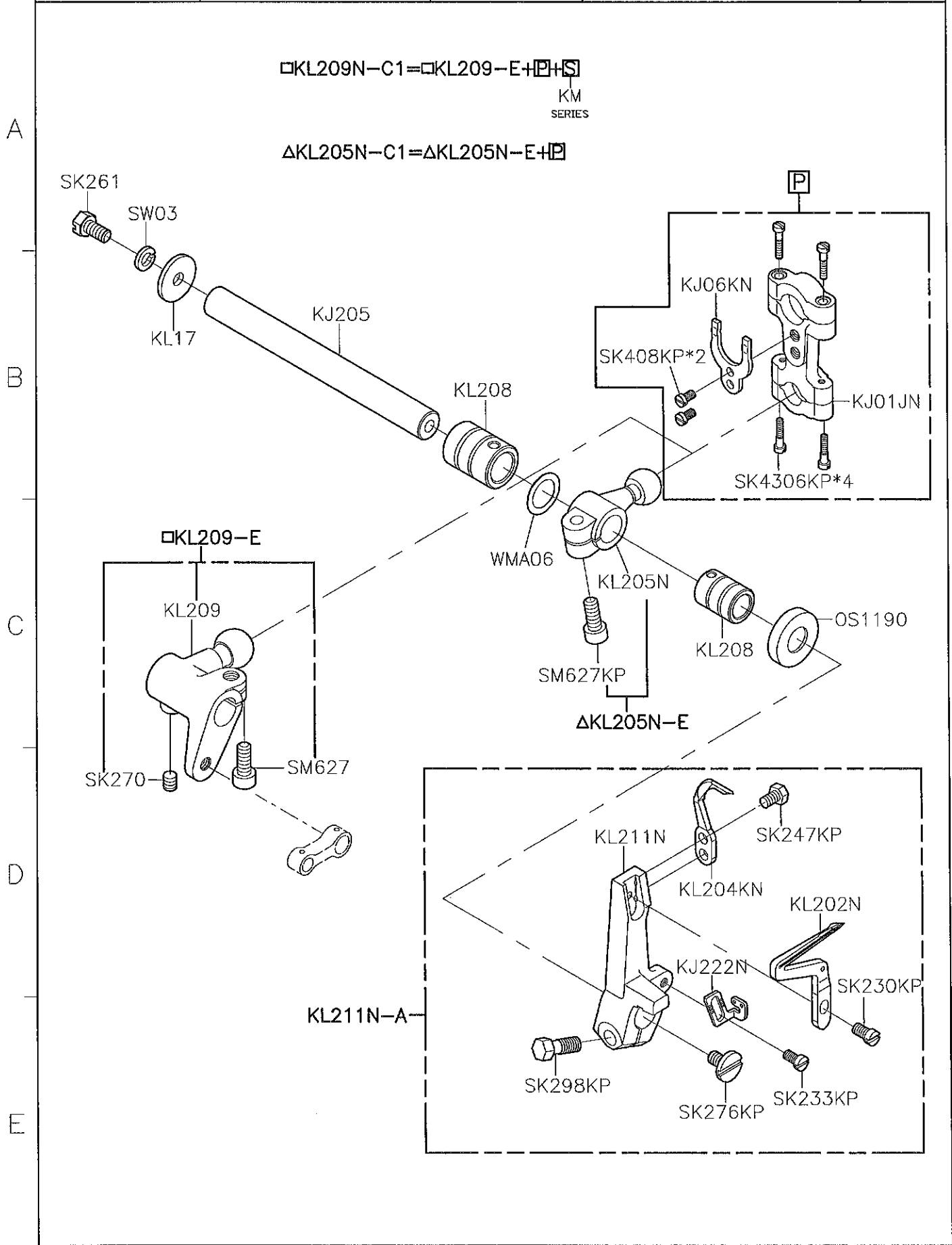
C

D

E



SIRUBA PARTS LIST	Series	Parts Group	Subclass / Remark	Page
	700N	KL	Δ: Use for #4 □: Use for #5	1/1
				Date
				2025/08/04



1 2 3 4 5

□KL209N-C1=□KL209-E+**[P+S]**

KL
SERIES

A

B

C

D

E

KM216-C

SK809

WM510

KM216

OR05C

WM505

KM217

KM215

KM214

KM212

BR4180

SK253

WM408

KQ34

KM211

SM612

KM205

KM211-E

KM211-A

KL208

KM207

SM627

KM207-E

KQ215N

[S]

KQ35N

SK253KP

KM201-A

KM201-E

KL23-4

SK298

KM201

WK11

KM203

SK241

OS1190

SK276

SIRUBA

PARTS LIST

Series

700N

Parts Group

KN

Subclass / Remark

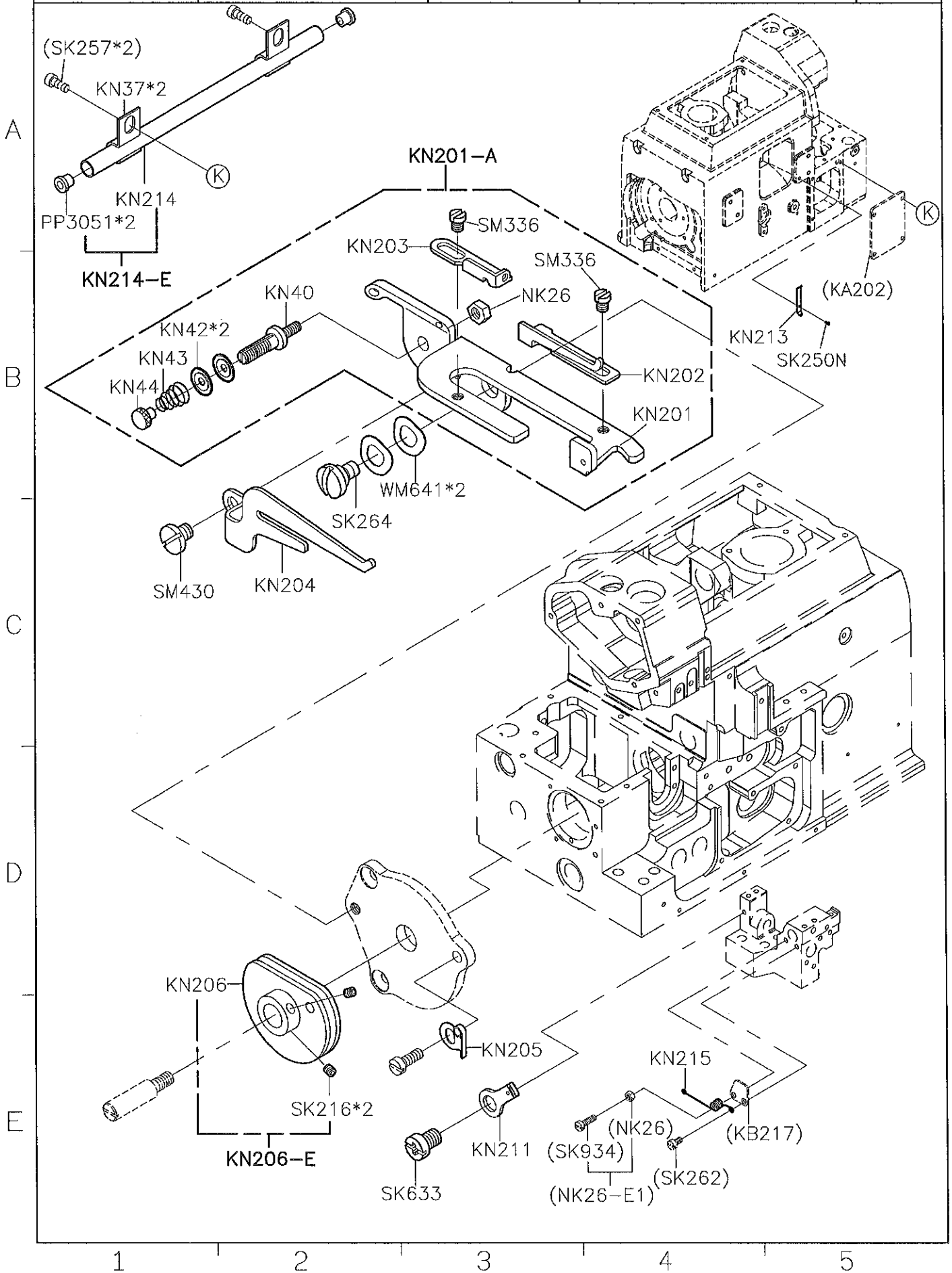
Use for #5
此頁僅限5線機型專用

Page

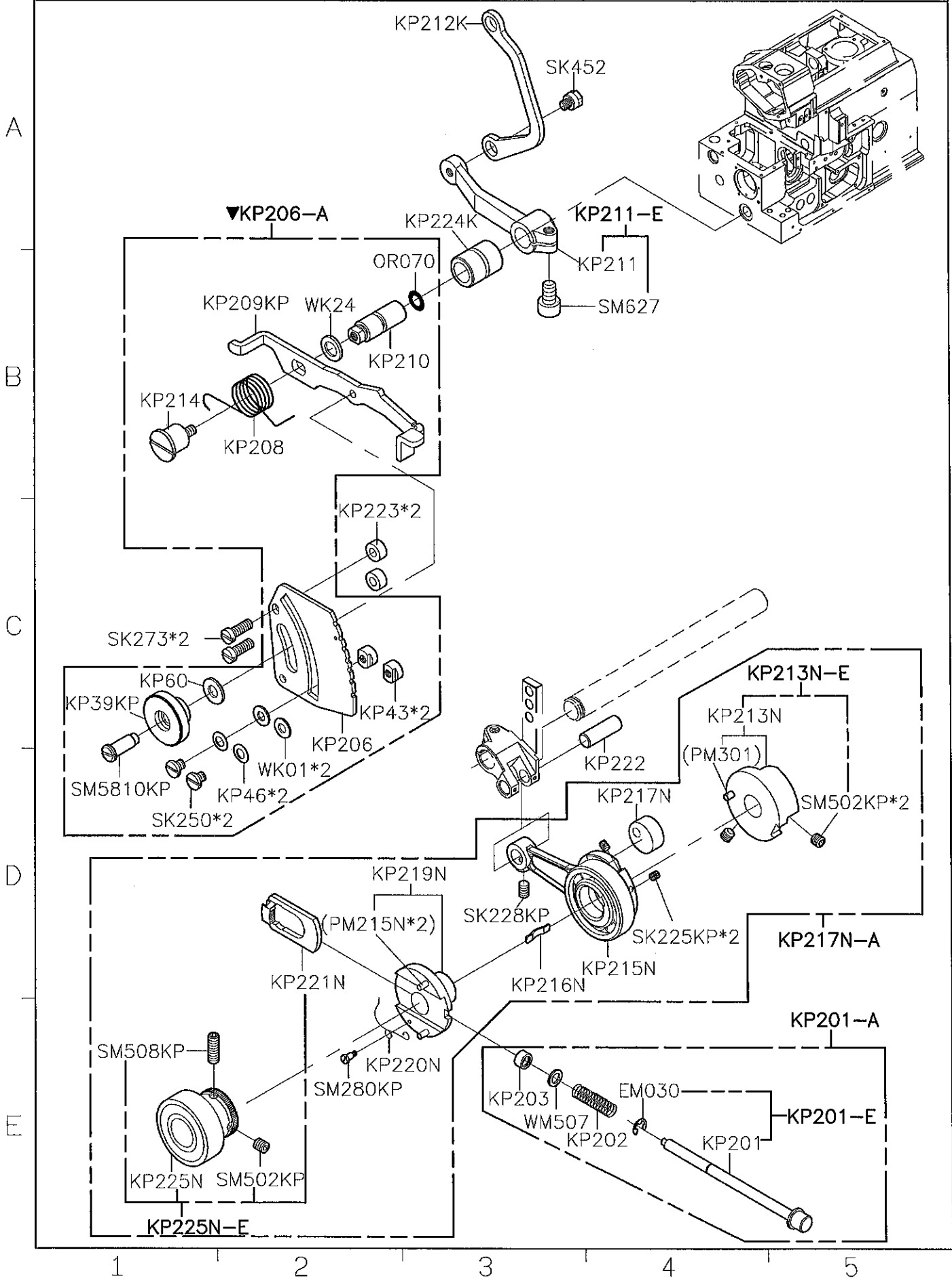
1/1

Date

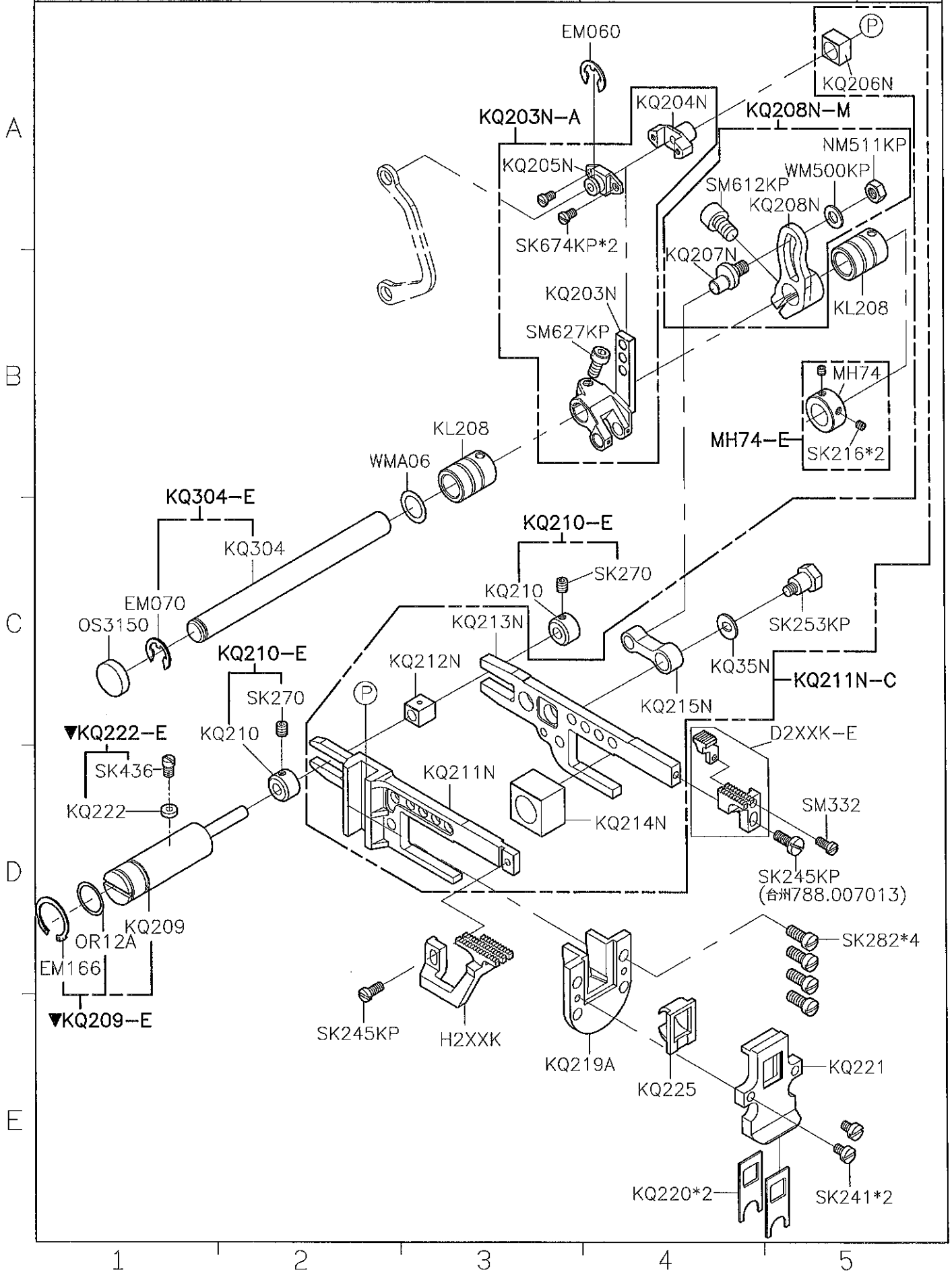
2025/08/04



SIRUBA PARTS LIST	Series	Parts Group	Subclass / Remark	Page
	700N	KP		1/1
				Date
				2025/11/07



SIRUBA PARTS LIST	Series	Parts Group	Subclass / Remark	Page
	700N	KQ	▼: Use without SCT(SCF)	1/1
				Date
				2025/08/04



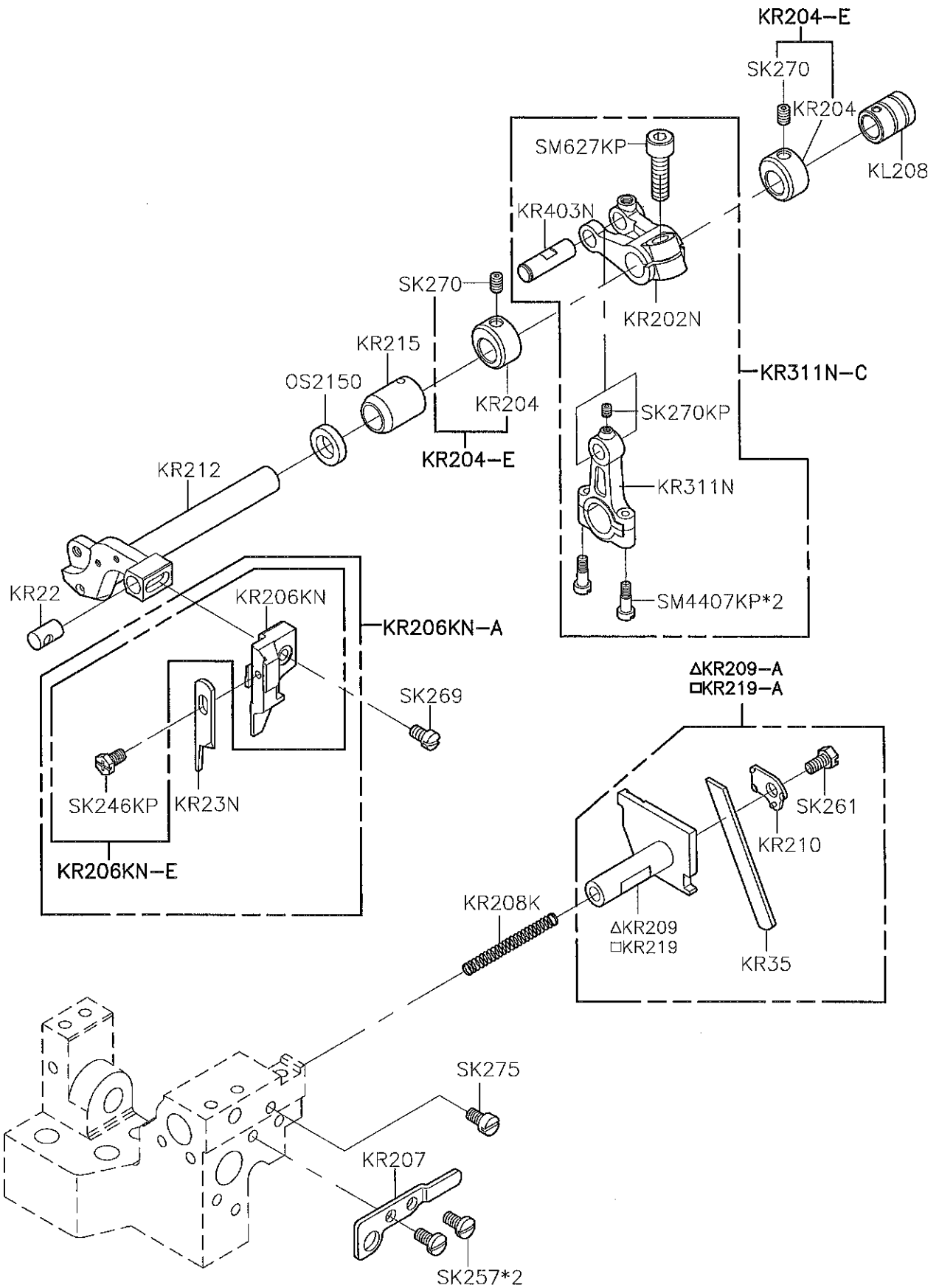
A

B

C

D

E



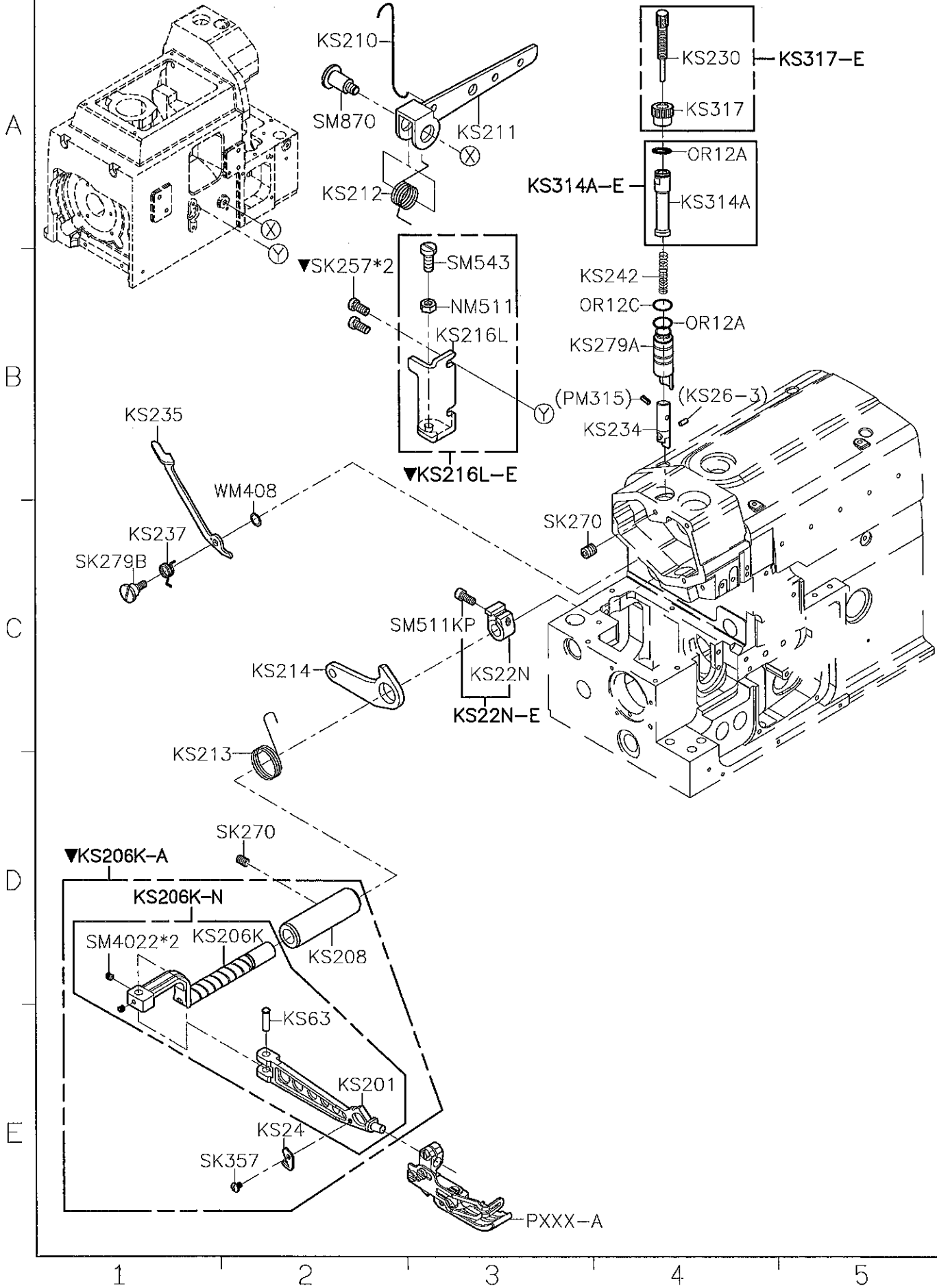
1

2

3

4

5



SIRUBA

PARTS LIST

Series

700N

Parts Group

KT

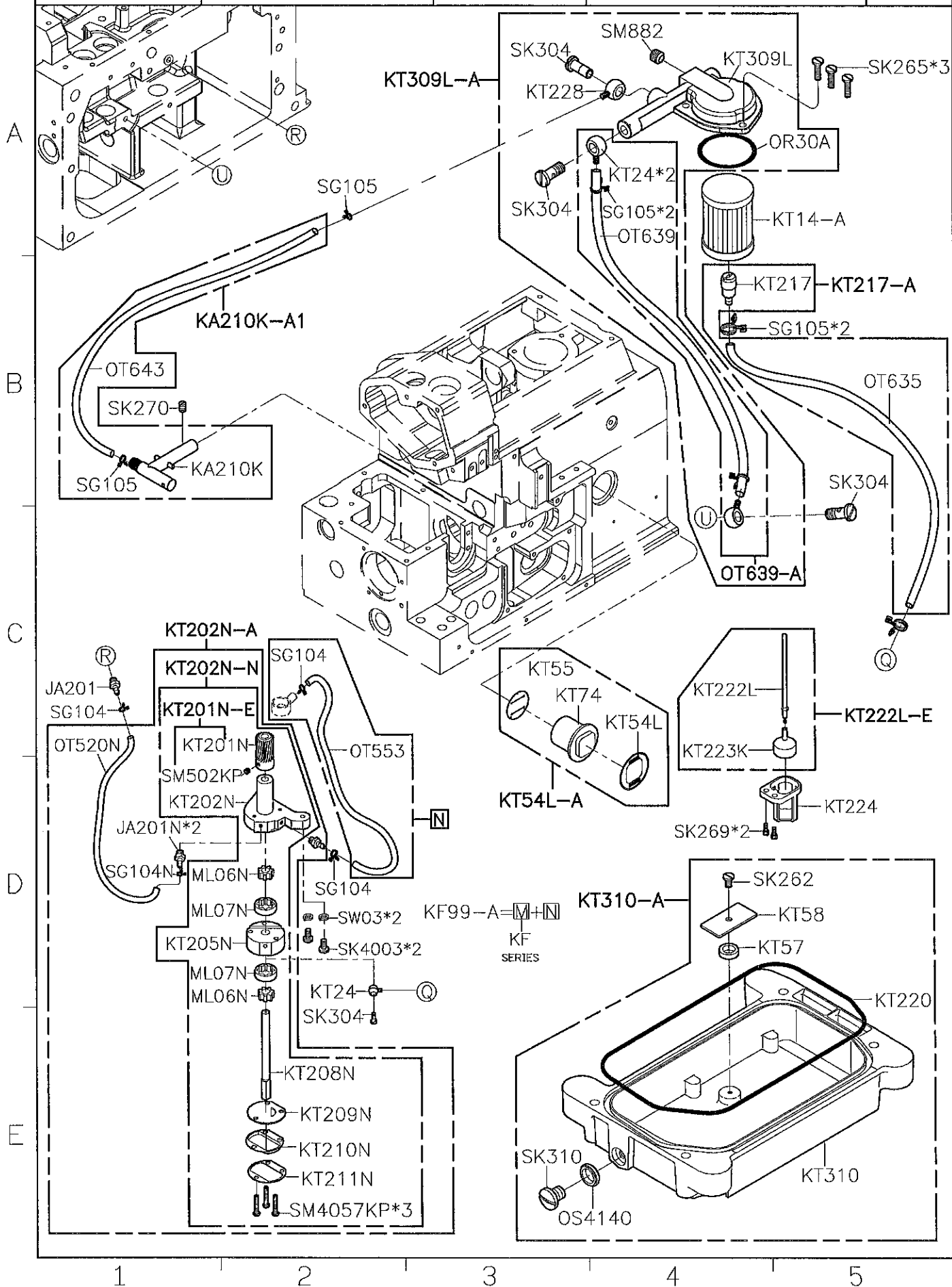
Subclass / Remark

Page

1/1

Date

2025/08/04



SIRUBA PARTS LIST	Series	Parts Group	Subclass / Remark	Page
	700N	KU	△: Use for #3(#4) □: Use for #5(#6)	1/1
				Date
				2025/10/31

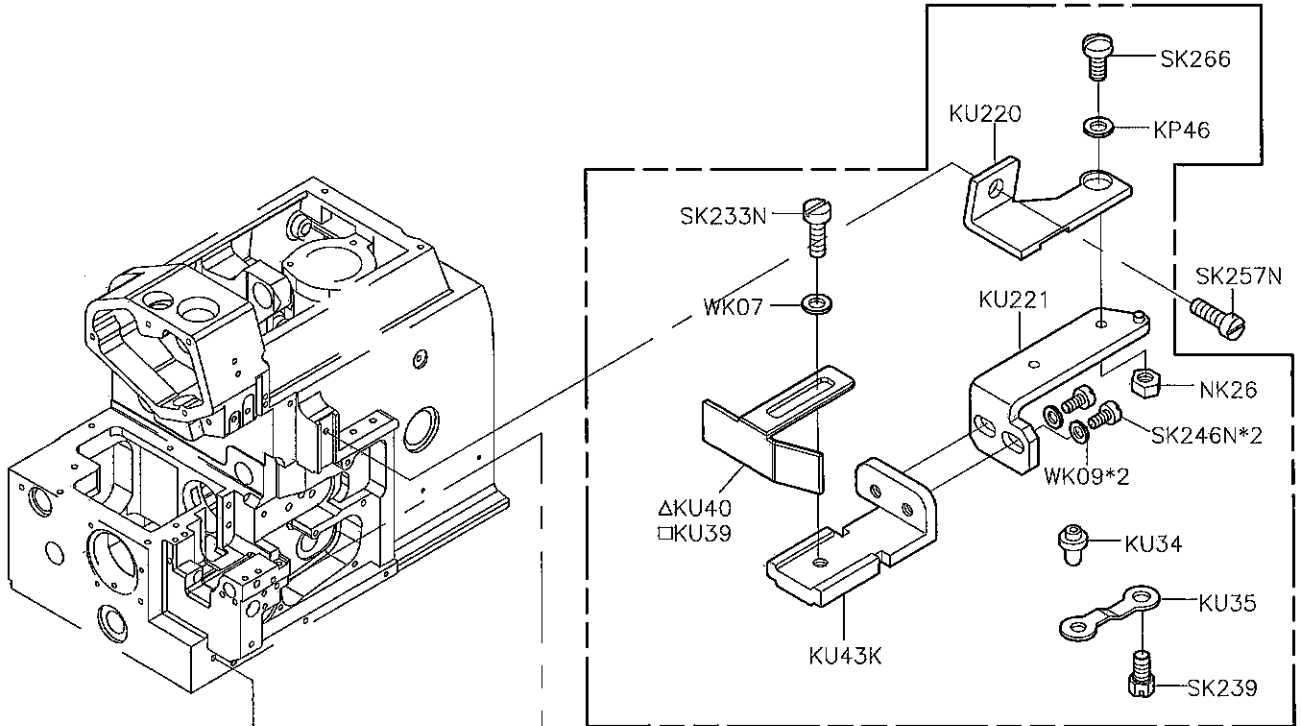
A

B

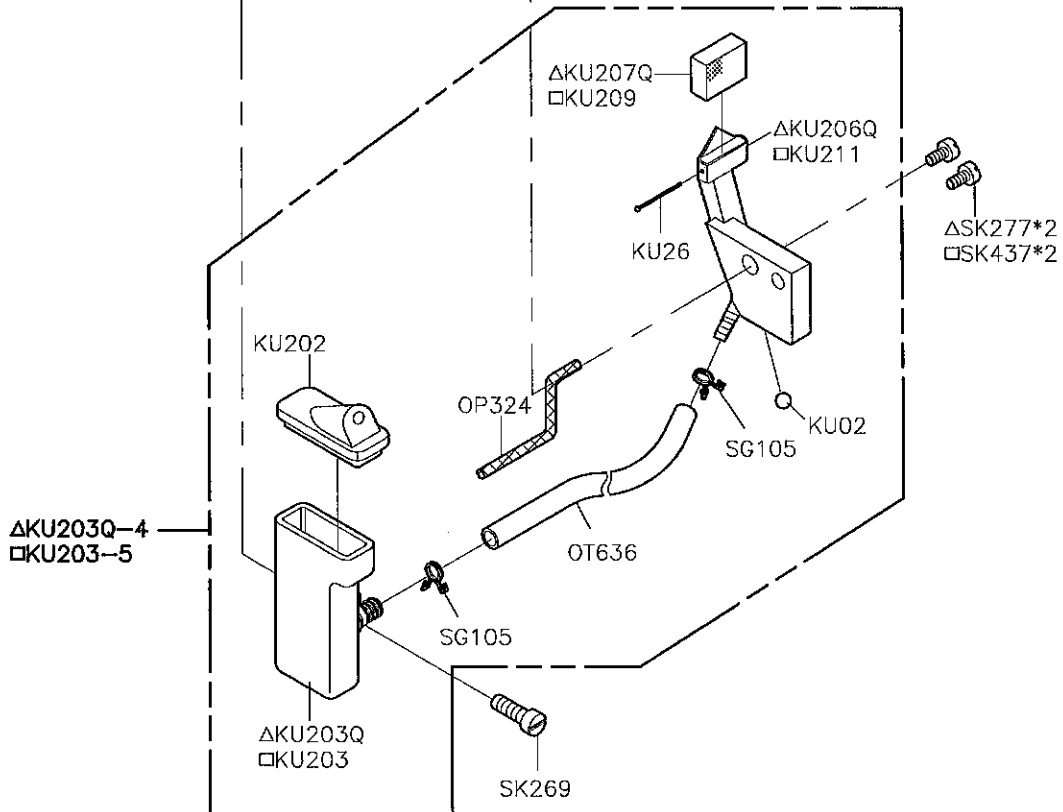
C

D

E



△KU220-4 (此組依客戶需求選配另購)
 □KU220-5



1

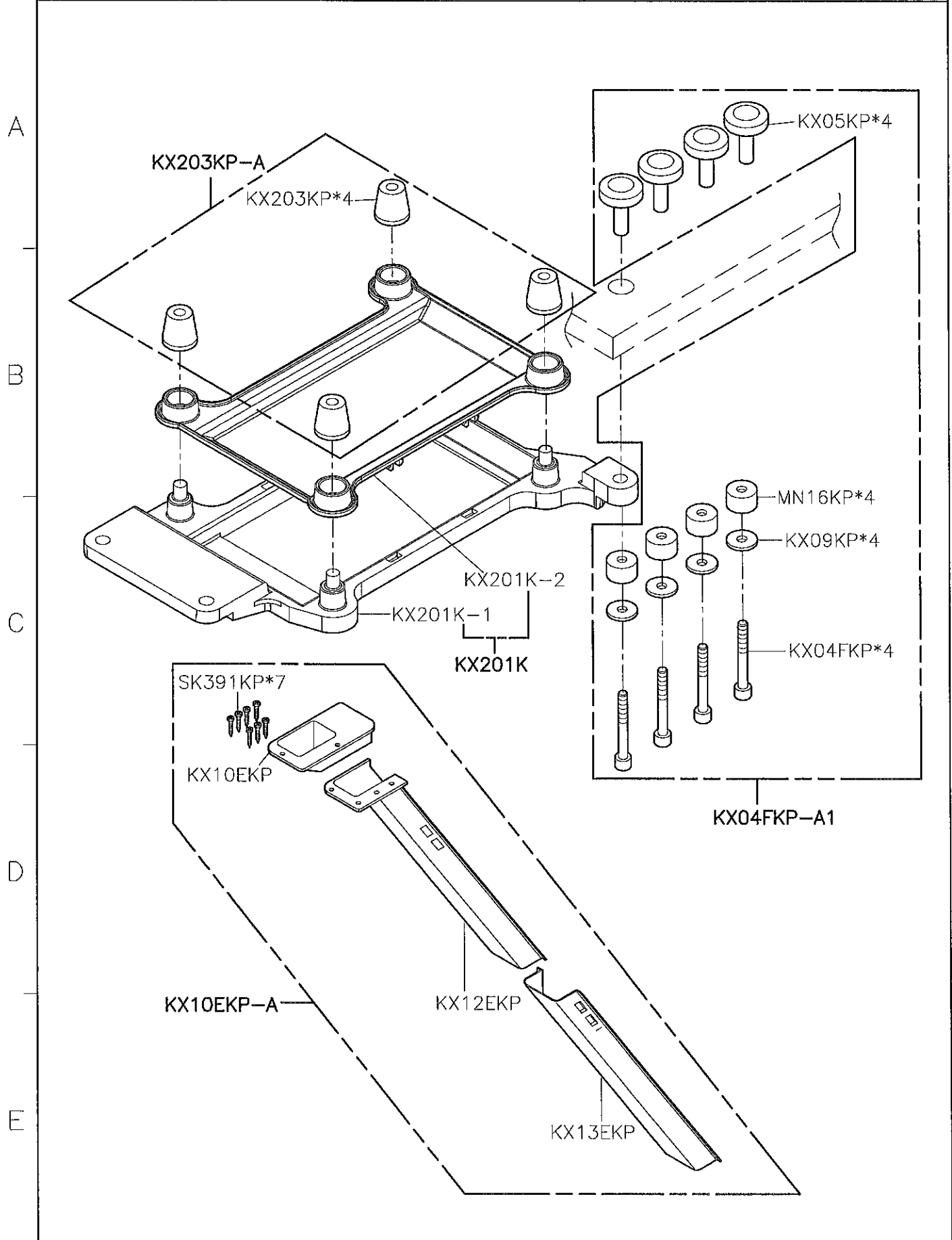
2

3

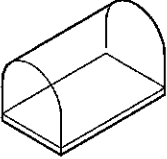





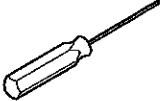
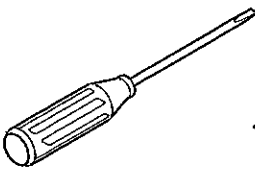
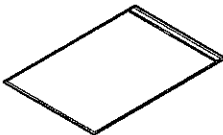
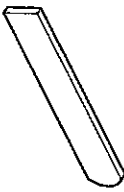
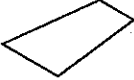

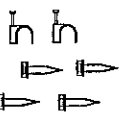

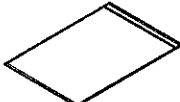

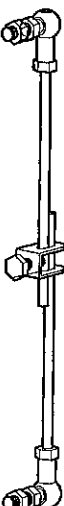
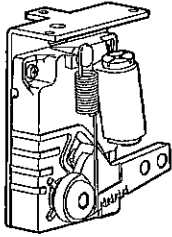
4

5

SIRUBA PARTS LIST	Series	Parts Group	Subclass / Remark	Page
	700N	KX		1/1
				Date
				2025/08/04



1 2 3 4 5

SIRUBA PARTS LIST	Series		Parts Group		Subclass / Remark		Page
	700N		KY				1/1
							Date
							2026/01/16
KY01JK 防塵罩	SK216KP 螺絲	KY05KP 油壺	KY04KP 漏斗	KY18KP 鑷子	KY203-A 油罐		
							
MY14KP 內六角螺絲起子	LY33KP 一字起子	KY201JKKP 工具袋	KR35 刀片	KY30 針板紙	KZ03 乾燥劑		
							
QXL04-20900571 螺釘	QXL04-10130591 電源線		KZ08N-0 說明書				
							
KY21KP-A 鉤子/鏈條	DKQ101EAE-3 連桿		DKQ101MAE-2 控速器				
							

1

2

3

4

5

A

B

C

D

E

