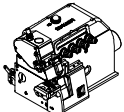
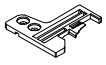
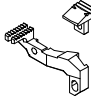
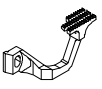


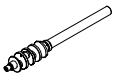



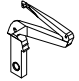

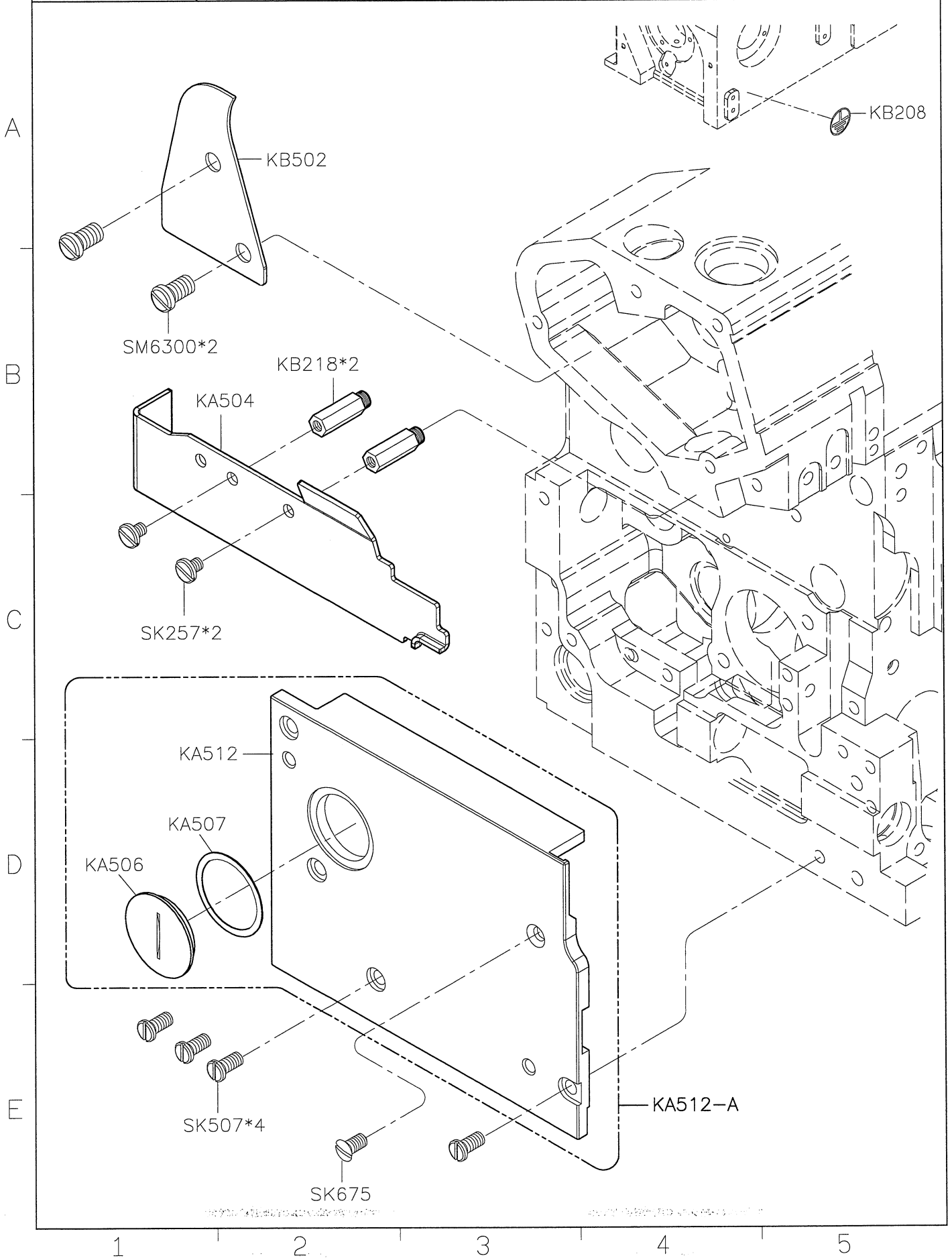
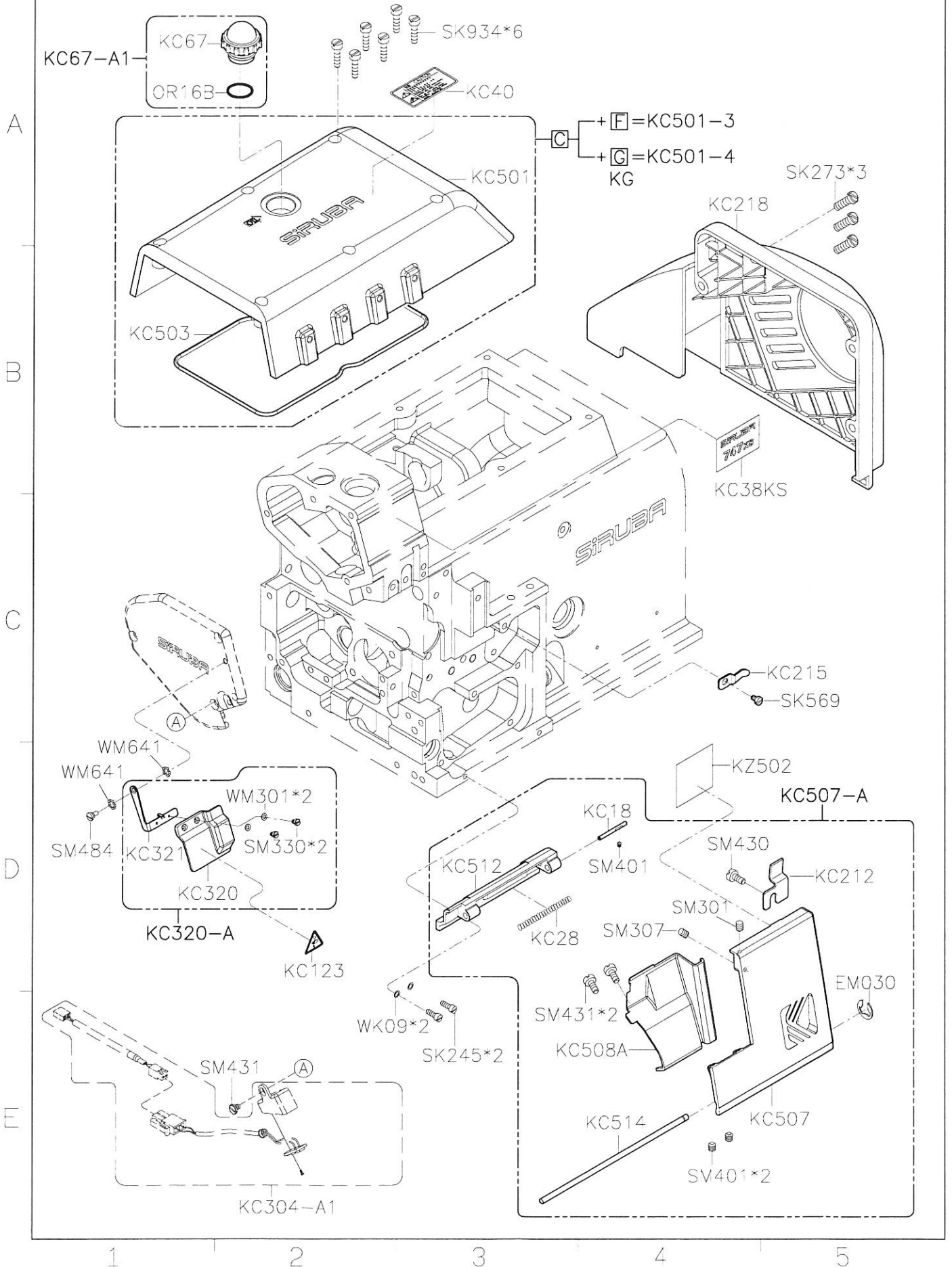


SIRUBA GAGE PARTS LIST		Series				Remark							Page	Date
		700KS											1 / 1	2023/07/12
														
機 型 Model		針板 Needle Plate	送具 Feed Dog		送具 Feed Dog	押具 Presser Foot	衝程 Crank	大心 Crank Shaft	針鉗 Needle Clamp	勾針連桿座 Upper Looper Holder	上勾針 Upper Looper	下勾針 Lower Looper	針 Needle	
737KS	505F-2-04	E304	D517	D516	H516	P152D-3A	KJ516-E	KD501	KG231K-E	KJ508	LP526	KL502A	DCX27#11	
	504M-3-03	E503	D515	D516	H515	P987-3A	KJ516-E	KD501	KG231K-E	KJ508	LP526	KL502A	DCX27#11	
	504M-3-04	E504	D515	D516	H515	P987-3A	KJ516-E	KD501	KG231K-E	KJ508	LP526	KL502A	DCX27#11	
	504M-3-04/LFD6-K	E324K	D515A	D117K	H517	P212A-A1	KJ516-E	KD501	KG231K-E	KJ508	LP526	KL502A	DCX27#11	
	504M-3-04/LFD6A-K	E324K	D515A	D117K	H517	P212A-3A1	KJ516-E	KD501	KG231K-E	KJ508	LP526	KL502A	DCX27#11	
	504M-3-05	E505	D515	D516	H515	P987-3A	KJ516-E	KD501	KG231K-E	KJ508	LP526	KL502A	DCX27#11	
	504H-3-03	E513	D515A	D117K	H517	P987-3A	KJ513-E	KD501B	KG231K-E	KJ528	LP519	KL502A	DCX27#11	
	504H-3-04	E324K	D515A	D117K	H517	P987-3A	KJ513-E	KD501B	KG231K-E	KJ528	LP519	KL502A	DCX27#11	
	504H-3-05	E515	D515A	D117K	H517	P987-3A	KJ513-E	KD501B	KG231K-E	KJ528	LP519	KL502A	DCX27#11	
747KS	514M-3-23	E523	D515	D516	H515	P987-4A	KJ513-E	KD501	KG242K-E	KJ508	LP518	KL502	DCX27#11*2	
	514M-3-24	E424	D515	D516	H515	P987-4A	KJ513-E	KD501	KG242K-E	KJ508	LP518	KL502	DCX27#11*2	
	514M-3-24/LFD6-K	E434K	D515A	D117K	H517	P212A-2A1	KJ513-E	KD501	KG242K-E	KJ508	LP518	KL502	DCX27#11*2	
	514M-3-24/LFD6-K1	E434K	D515A	D117K	H517	P212A-2A1	KJ513-E	KD501	KG242K-E	KJ508	LP518	KL502	DCX27#11*2	
	514M-3-24/LFD6A-K	E434K	D515A	D117K	H517	P212A-4A1	KJ513-E	KD501	KG242K-E	KJ508	LP518	KL502	DCX27#11*2	
	514M-3-24/LFD6A-K1	E434K	D515A	D117K	H517	P212A-4A1	KJ513-E	KD501	KG242K-E	KJ508	LP518	KL502	DCX27#11*2	
	514M-3-25	E525	D515	D516	H515	P987-4A	KJ513-E	KD501	KG242K-E	KJ508	LP518	KL502	DCX27#11*2	
	514H-3-23	E533	D515A	D117K	H517	P987-4A	KJ513-E	KD501B	KG242K-E	KJ528	LP519	KL502A	DCX27#11*2	
	514H-3-24	E434K	D515A	D117K	H517	P987-4A	KJ513-E	KD501B	KG242K-E	KJ528	LP519	KL502A	DCX27#11*2	
	514H-3-25	E535	D515A	D117K	H517	P987-4A	KJ513-E	KD501B	KG242K-E	KJ528	LP519	KL502A	DCX27#11*2	

SIRUBA PARTS LIST	Series	Parts Group	Subclass / Remark	Page
	700KS	KB		1/1
				Date
				2018/07/05



SIRUBA PARTS LIST	Series	Parts Group	Subclass / Remark	Page
	700KS	KC		1/1
				Date
				2022/11/04



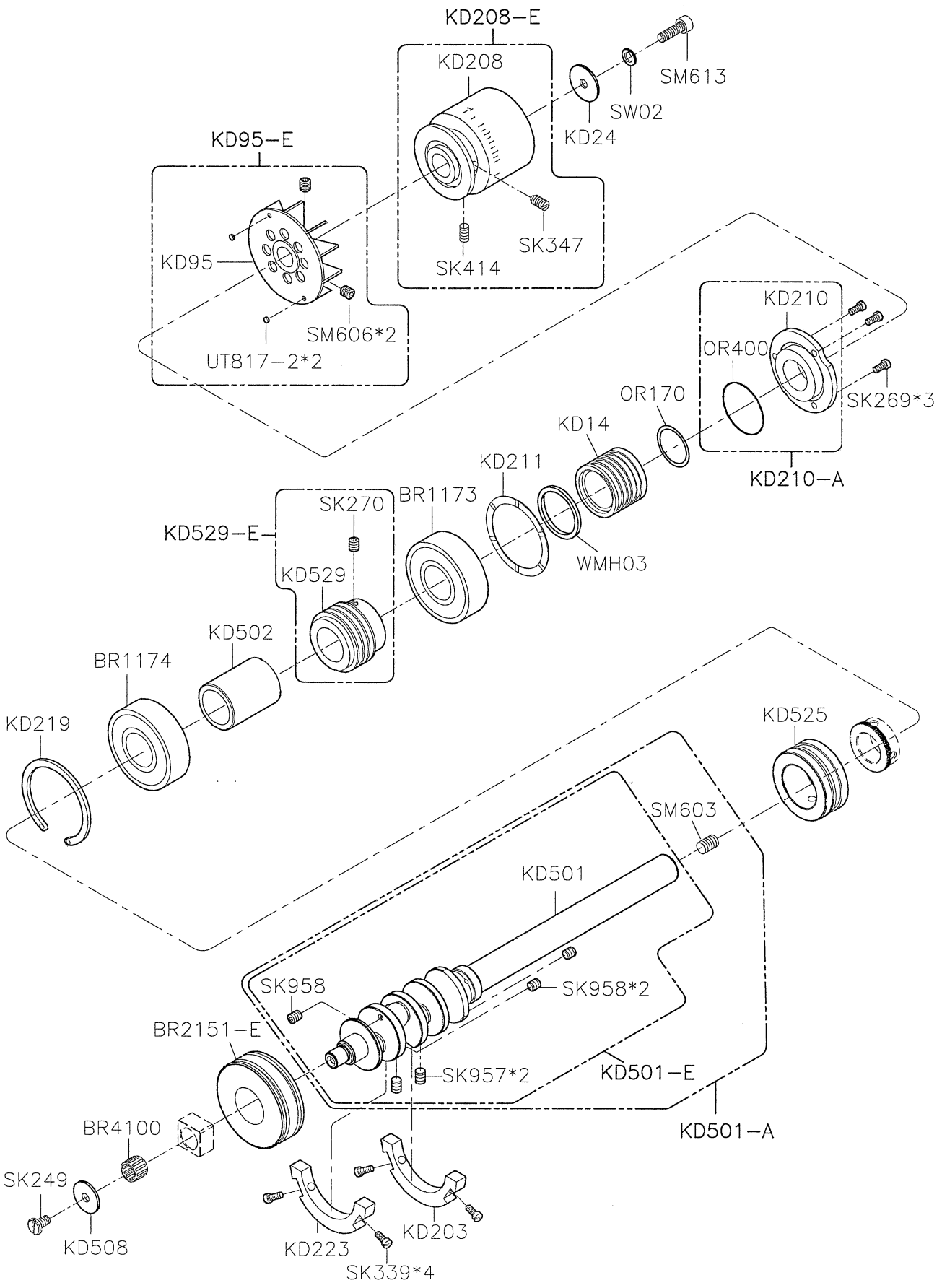
A

B

C

D

E



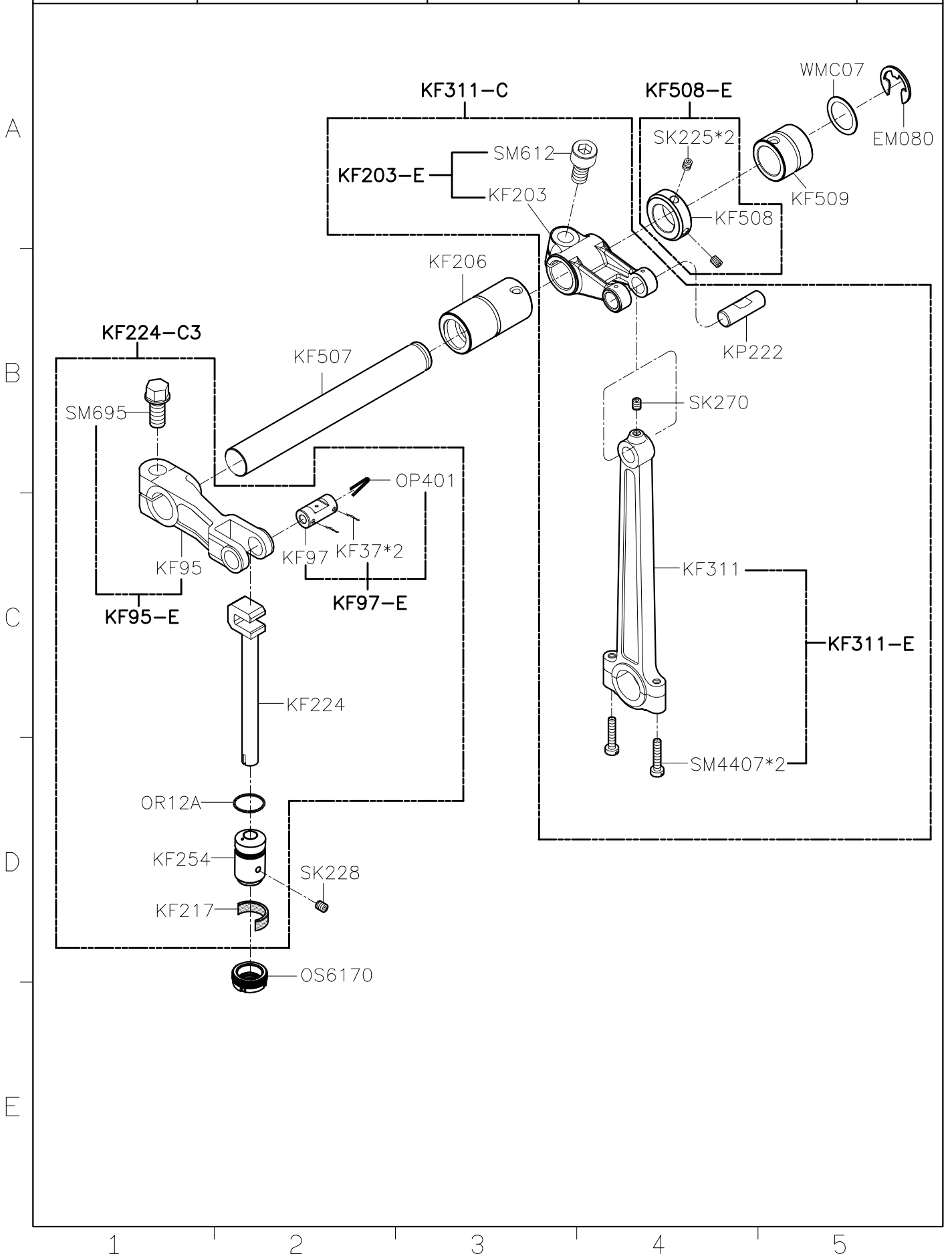
1

2

3

4

5

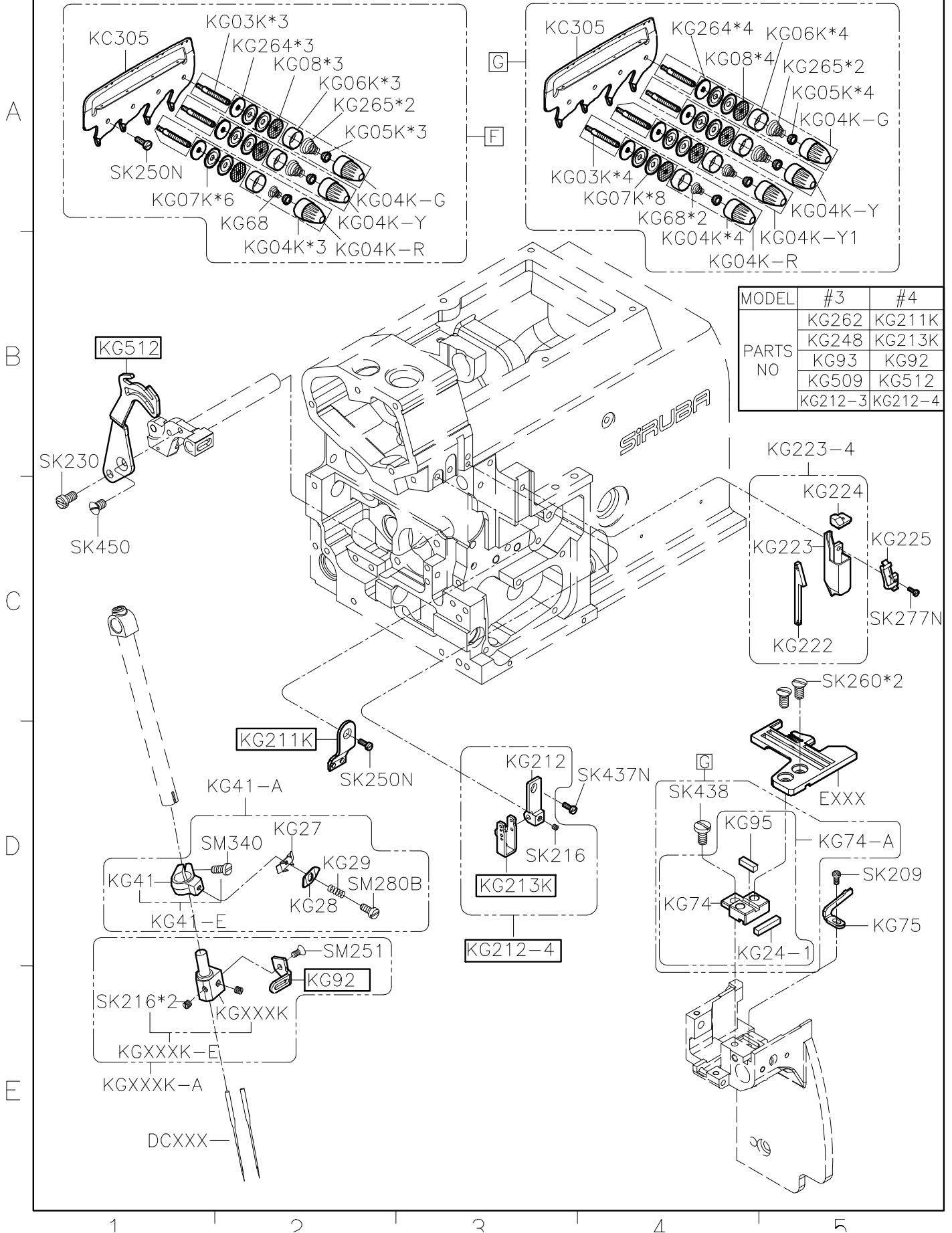


SIRUBA**PARTS LIST****Series****700KS****Parts Group****KG****Subclass / Remark****Page**

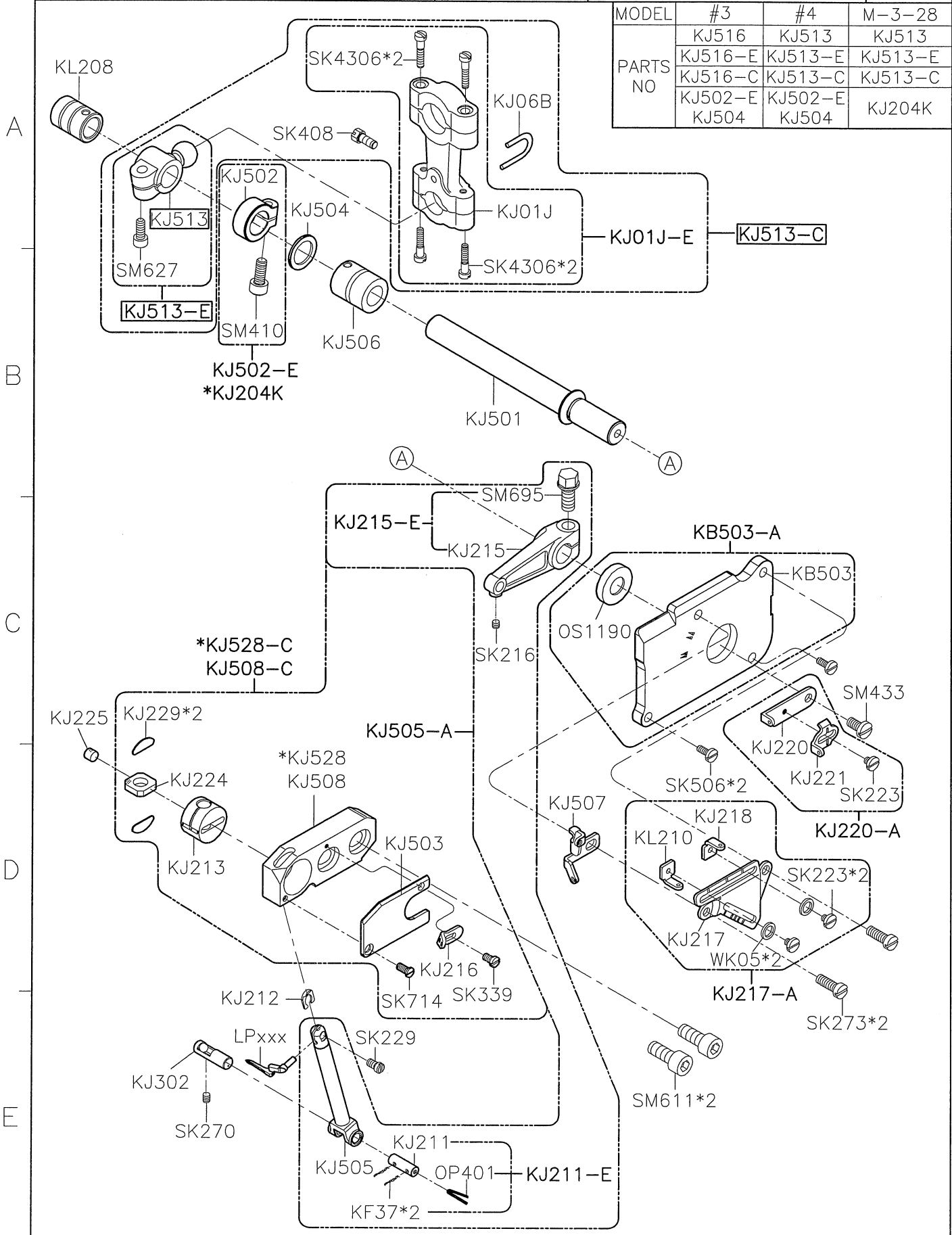
1/1

Date

2019/04/18



MODEL	#3	#4	M-3-28
PARTS NO	KJ516	KJ513	KJ513
	KJ516-E	KJ513-E	KJ513-E
	KJ516-C	KJ513-C	KJ513-C
	KJ502-E	KJ502-E	KJ204K
	KJ504	KJ504	



1

2

3

4

5

SIRUBA

PARTS LIST

Series

700KS

Parts Group

KL

Subclass / Remark

Page

1/1

Date

2019/01/24

MODEL	#3	#4
PARTS NO	KL502A	KL502
	KL514	KL514
	KL514-A1	KL514-A

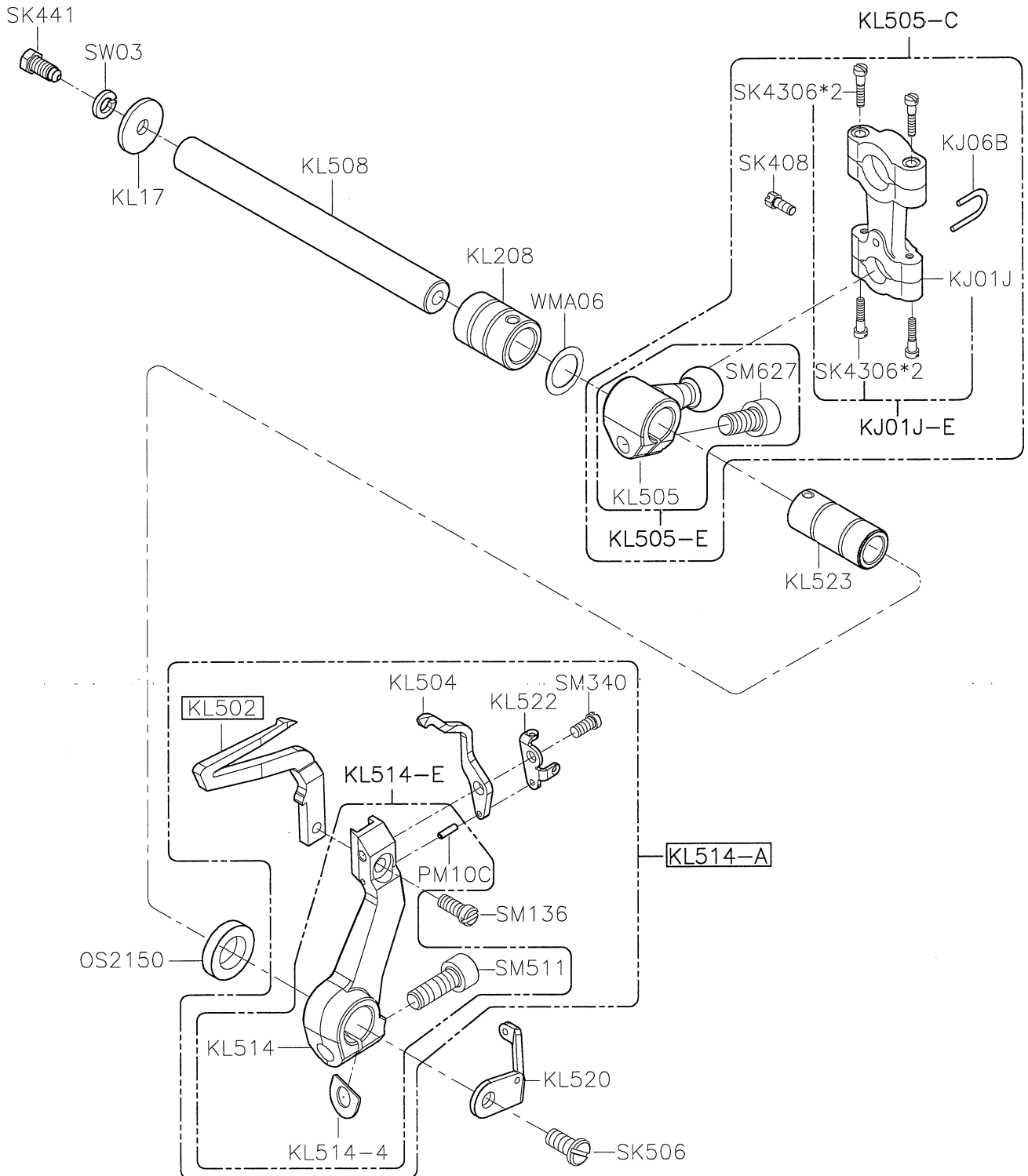
A

B

C

D

E



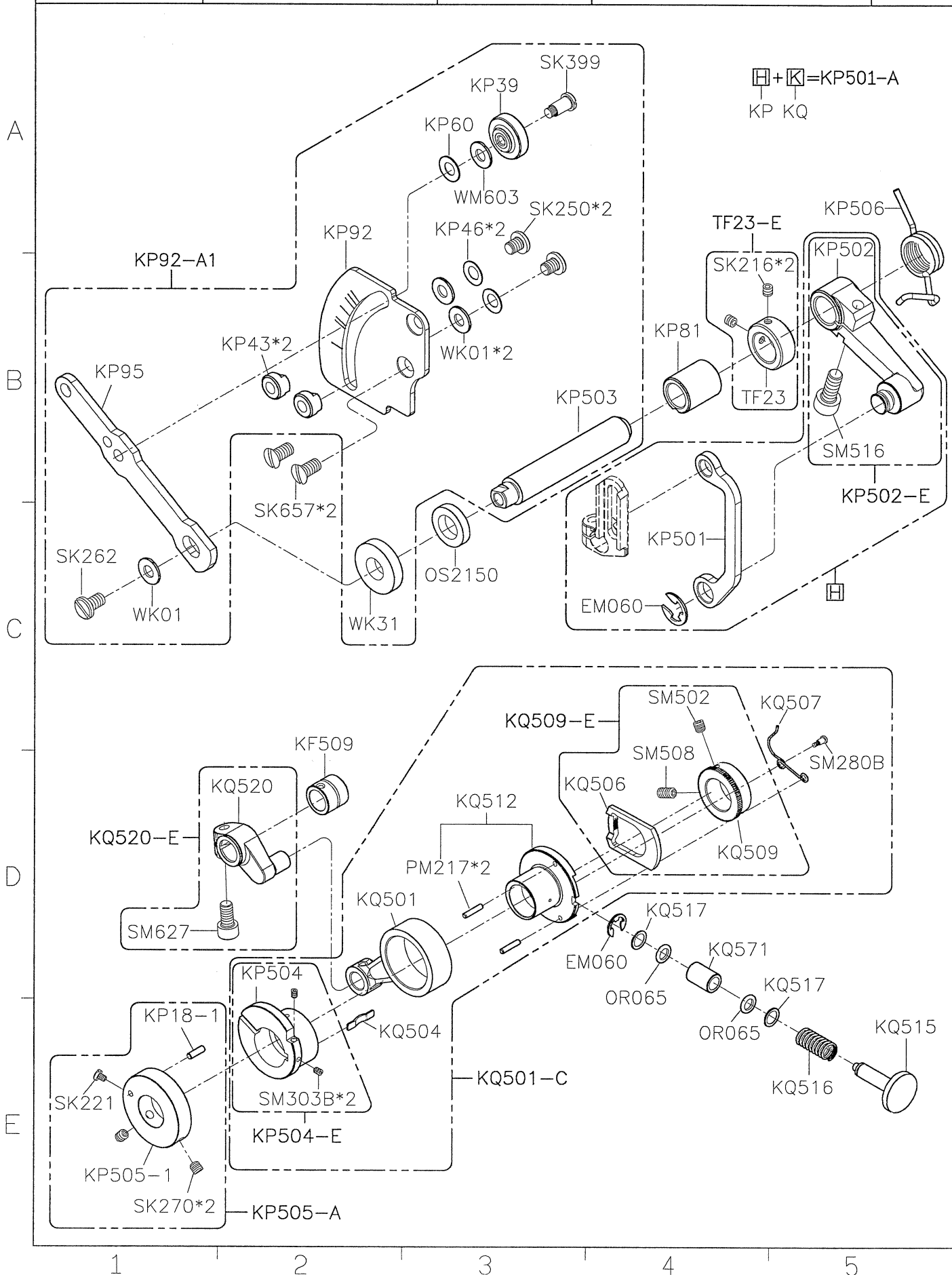
1

2

3

4

5



SIRUBA

PARTS LIST

Series

700KS

Parts Group

KQ

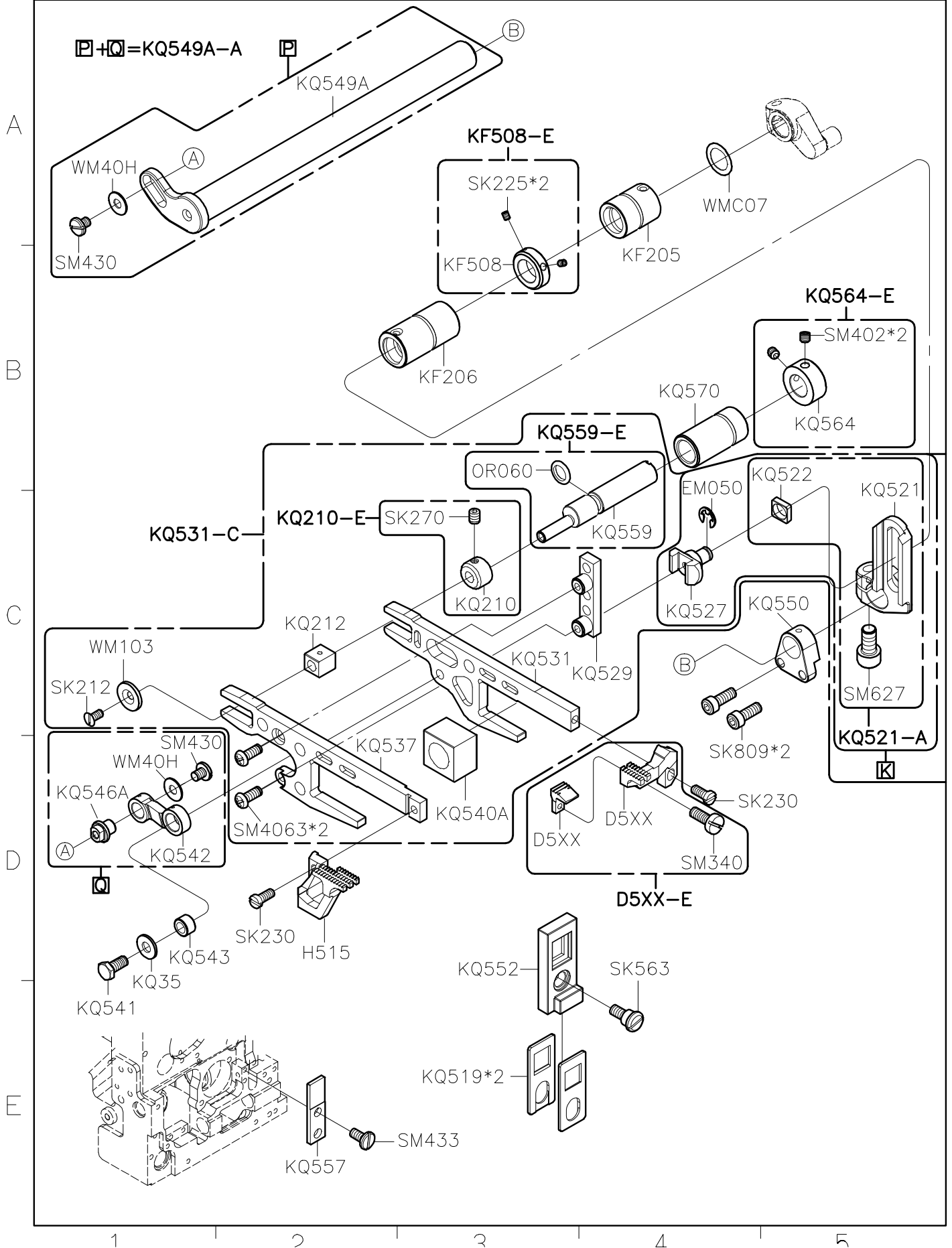
Subclass / Remark

Page

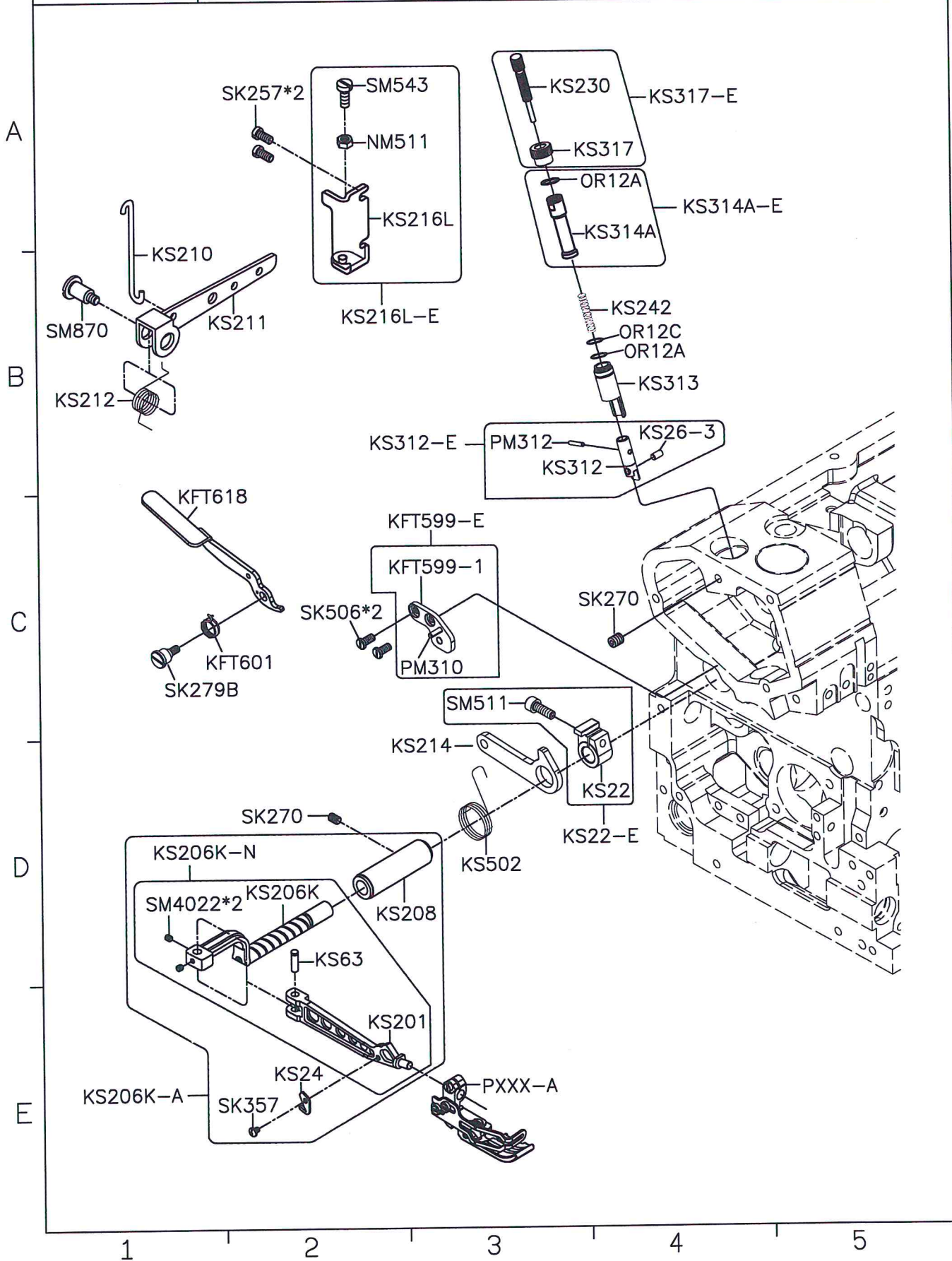
1/1

Date

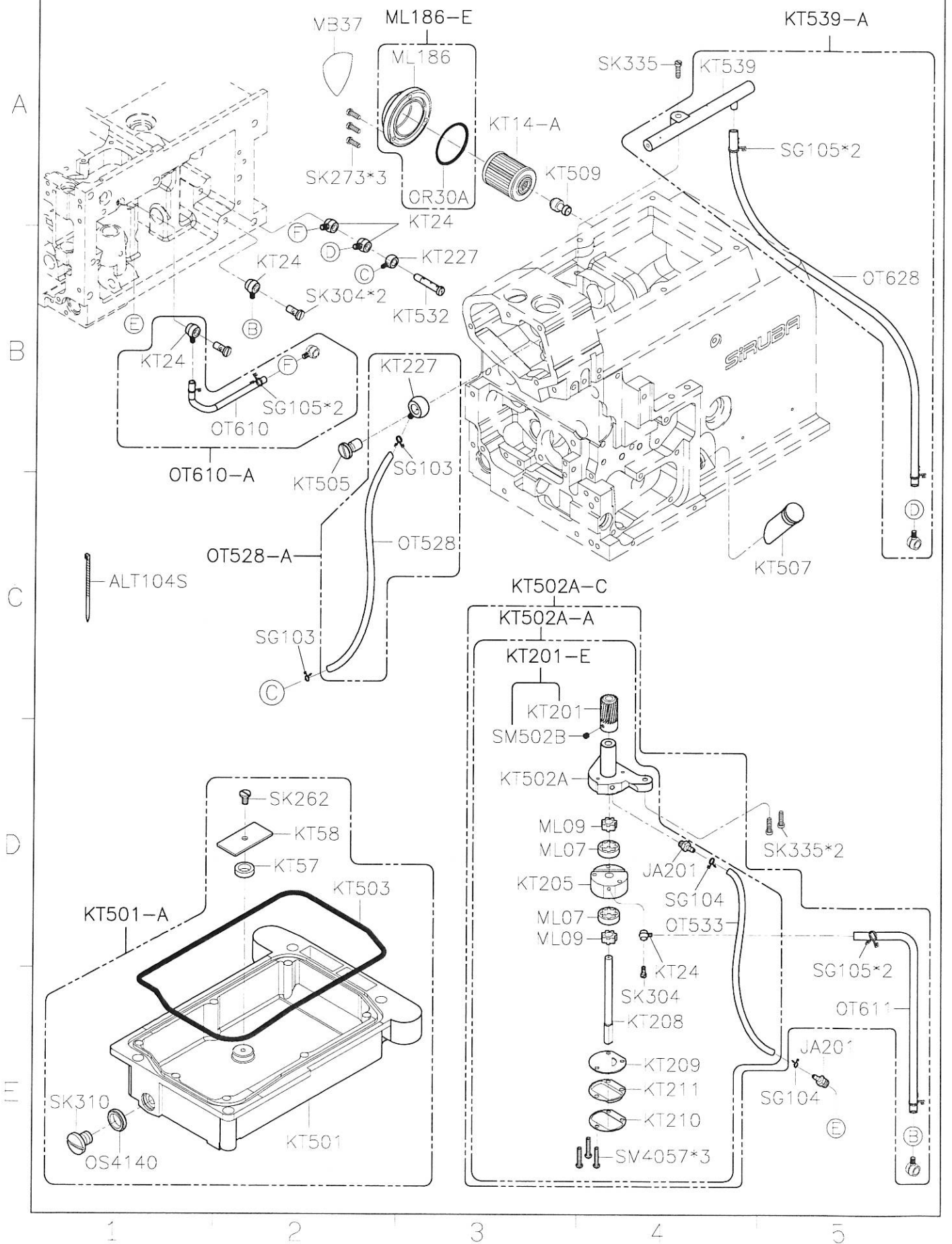
2023/07/06



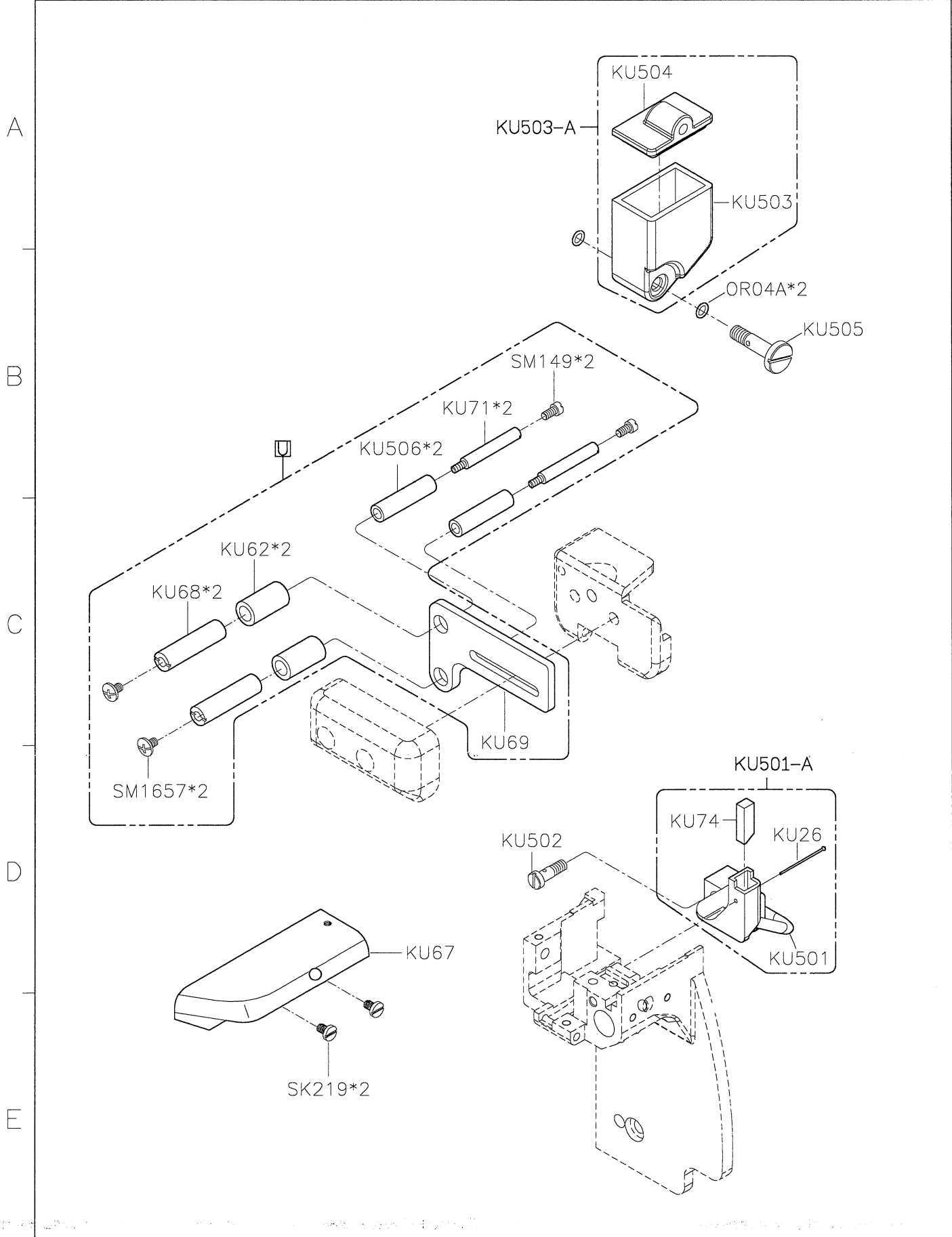
SIRUBA PARTS LIST	Series	Parts Group	Subclass / Remark	Page
	700KS	KS		1/1
				Date
				2024/15/15



SIRUBA PARTS LIST	Series	Parts Group	Subclass / Remark	Page
	700KS	KT		1/1
				Date
				2022/12/16



SIRUBA PARTS LIST	Series	Parts Group	Subclass / Remark	Page
	700KS	KU		1/2
				Date
				2018/10/12



1

2

3

4

5

SIRUBA PARTS LIST	Series	Parts Group	Subclass / Remark	Page
	700KS	KU	For 505F-02-04用	2/2
				Date 2018/10/12

A

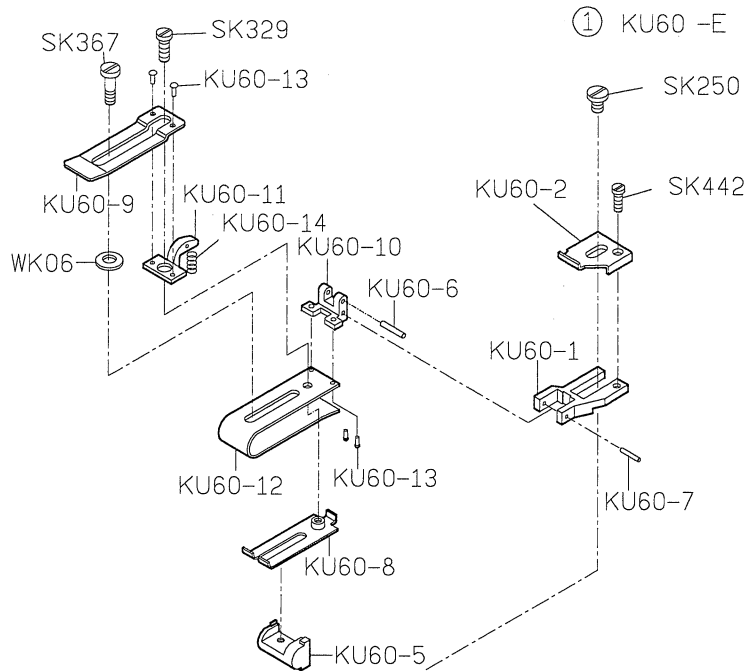
B

C

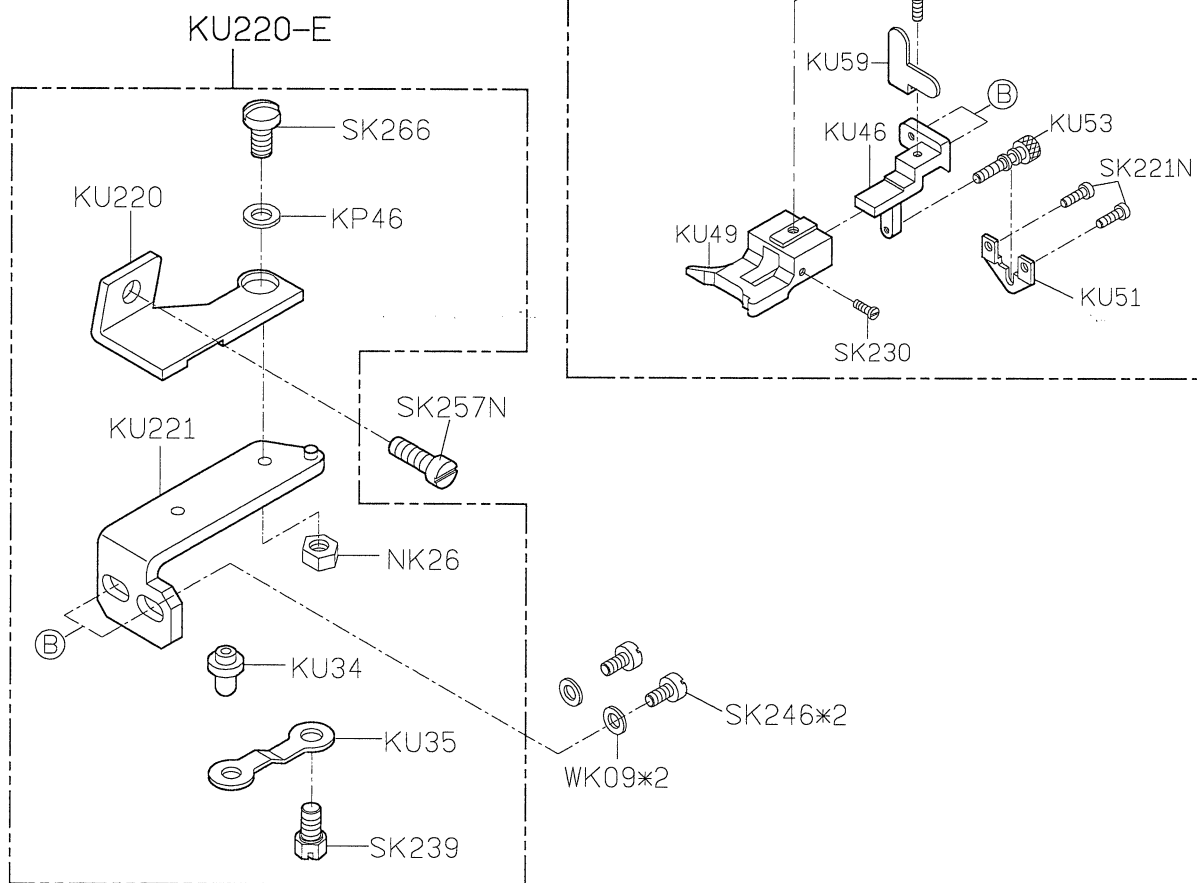
D

E

KU60-A



② KU49-E



1

2

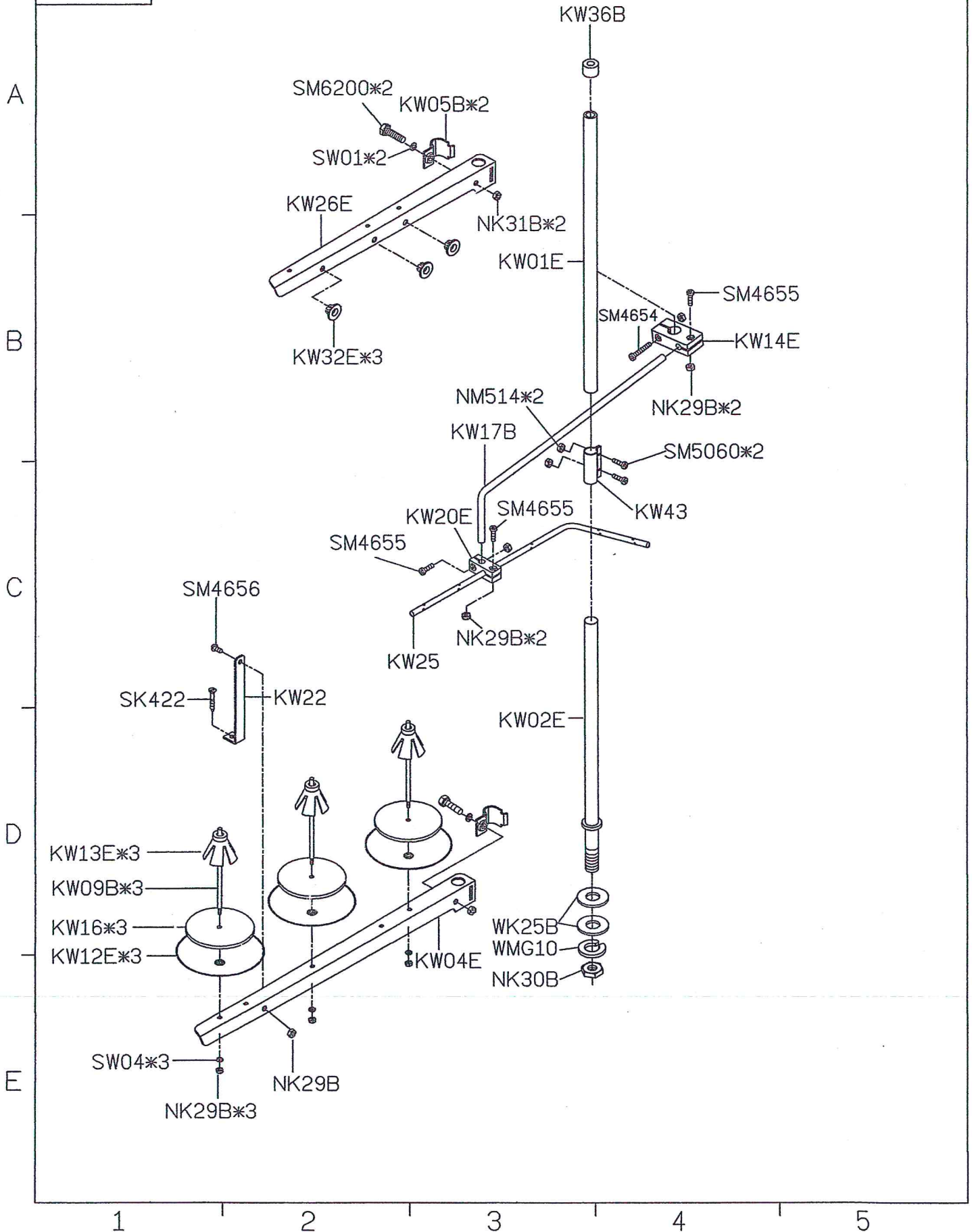
3

4

5

SIRUBA PARTS LIST	Series	Parts Group	Subclass / Remark	Page
	拷克	KW		1/4
	Overlock			Date
	含MO6800系列			2022/07/11

KW40E-3

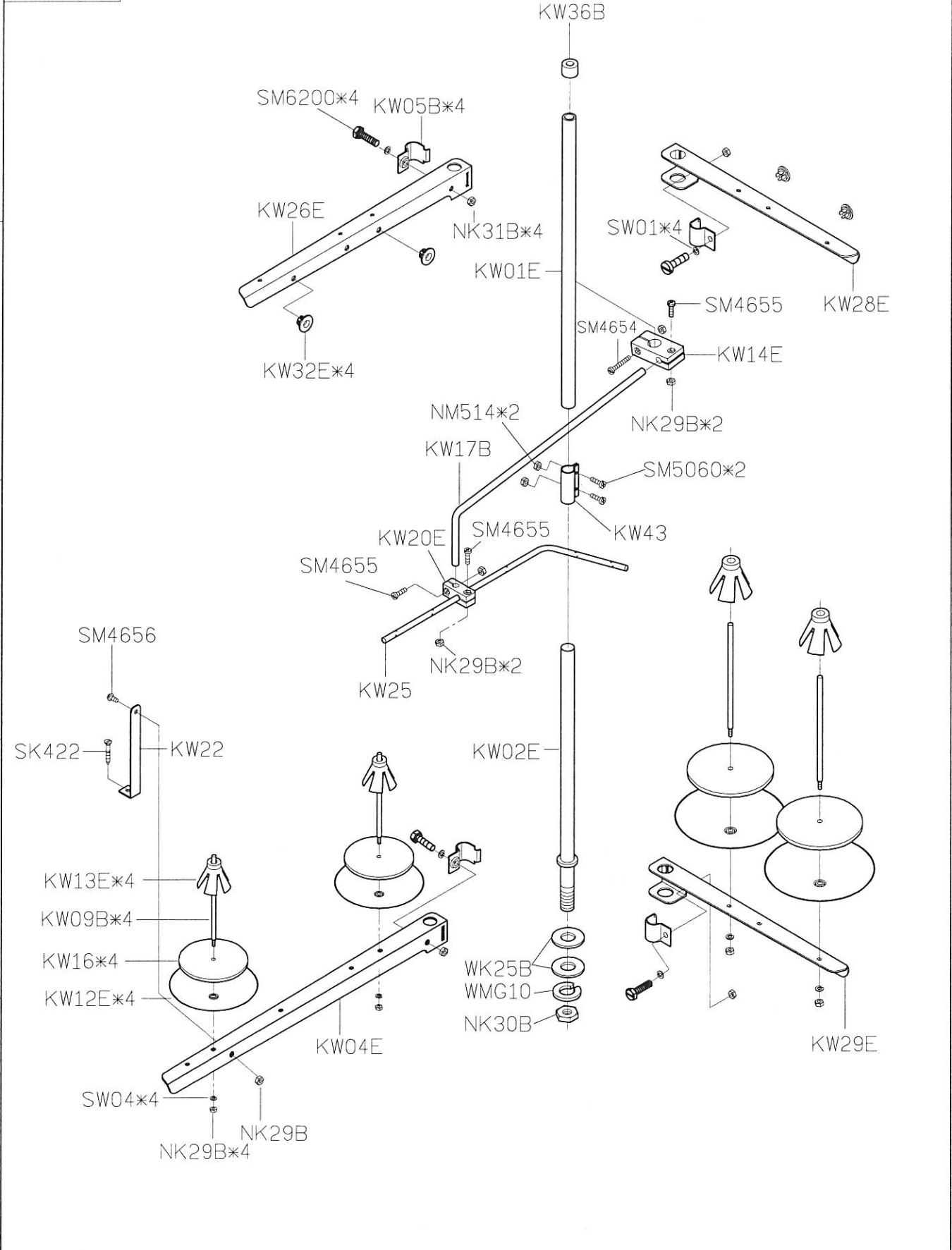


SIRUBA PARTS LIST	Series	Parts Group	Subclass / Remark	Page
	拷克	KW		2/4
	Overlock			Date
	含MO6800系列			2022/07/11

KW40E-4

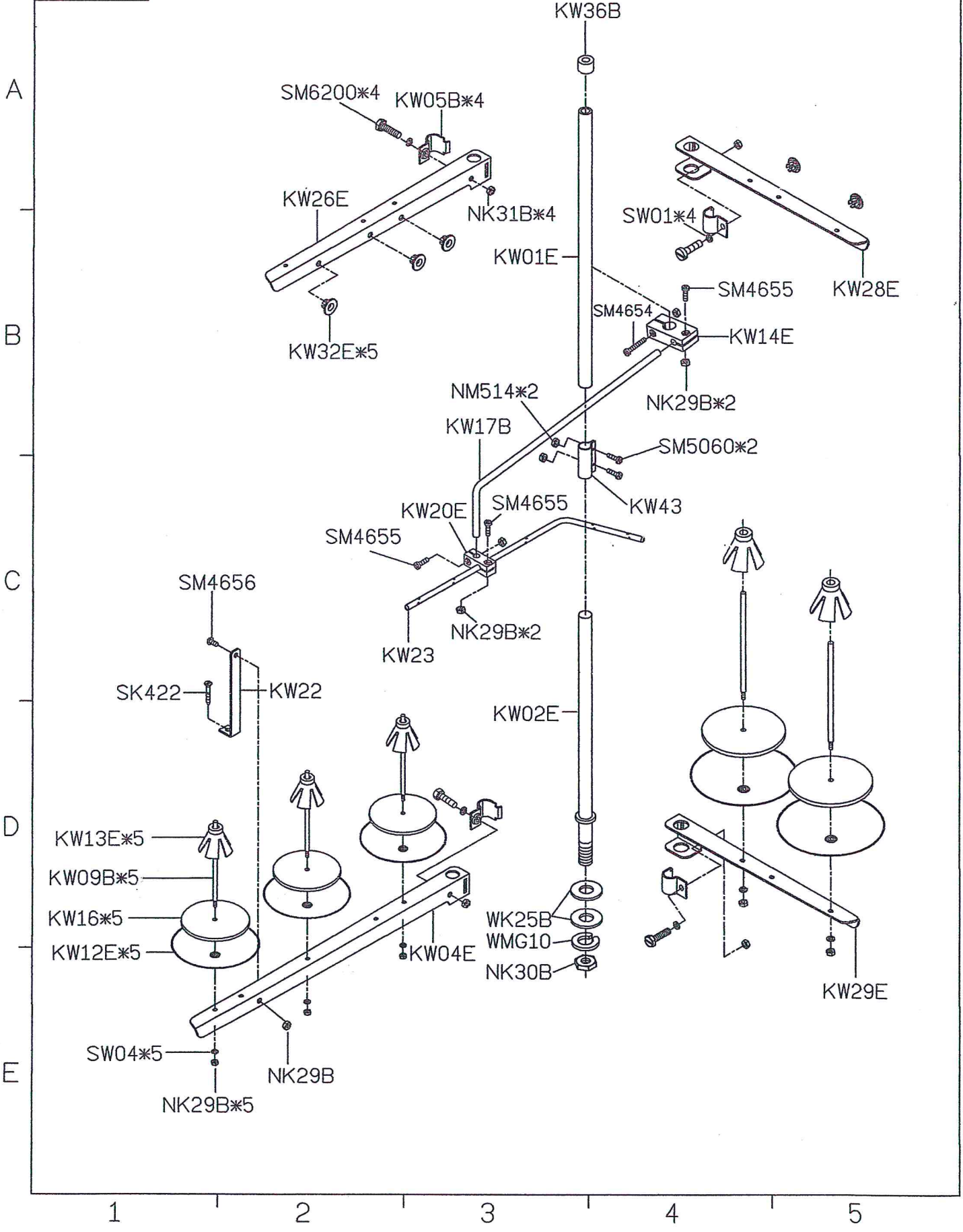
A
B
C
D
E

1 2 3 4 5



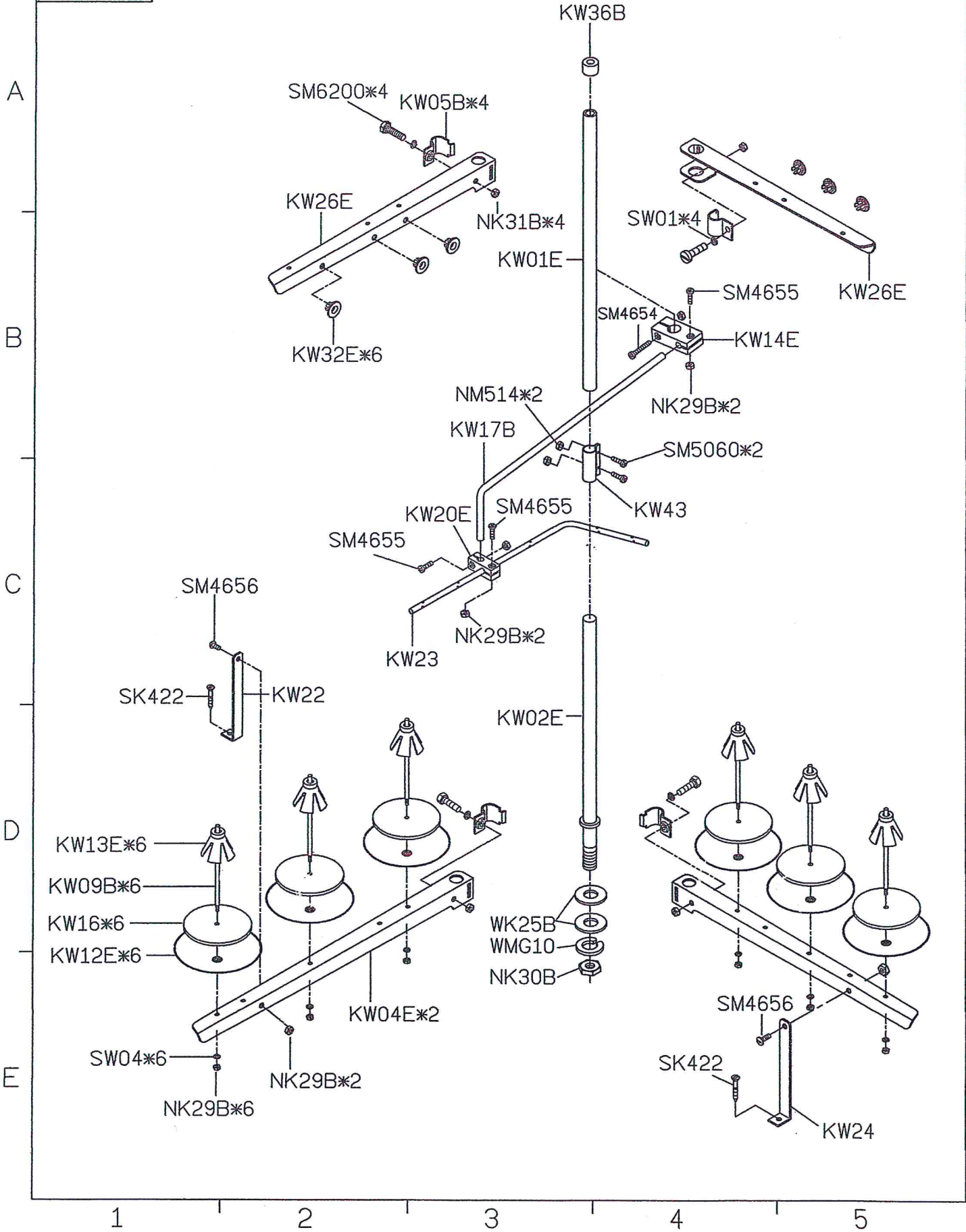
SIRUBA PARTS LIST	Series	Parts Group	Subclass / Remark	Page
	拷克	KW		3/4
	Overlock			Date
	含MO6800系列			2022/07/11

KW40E-5

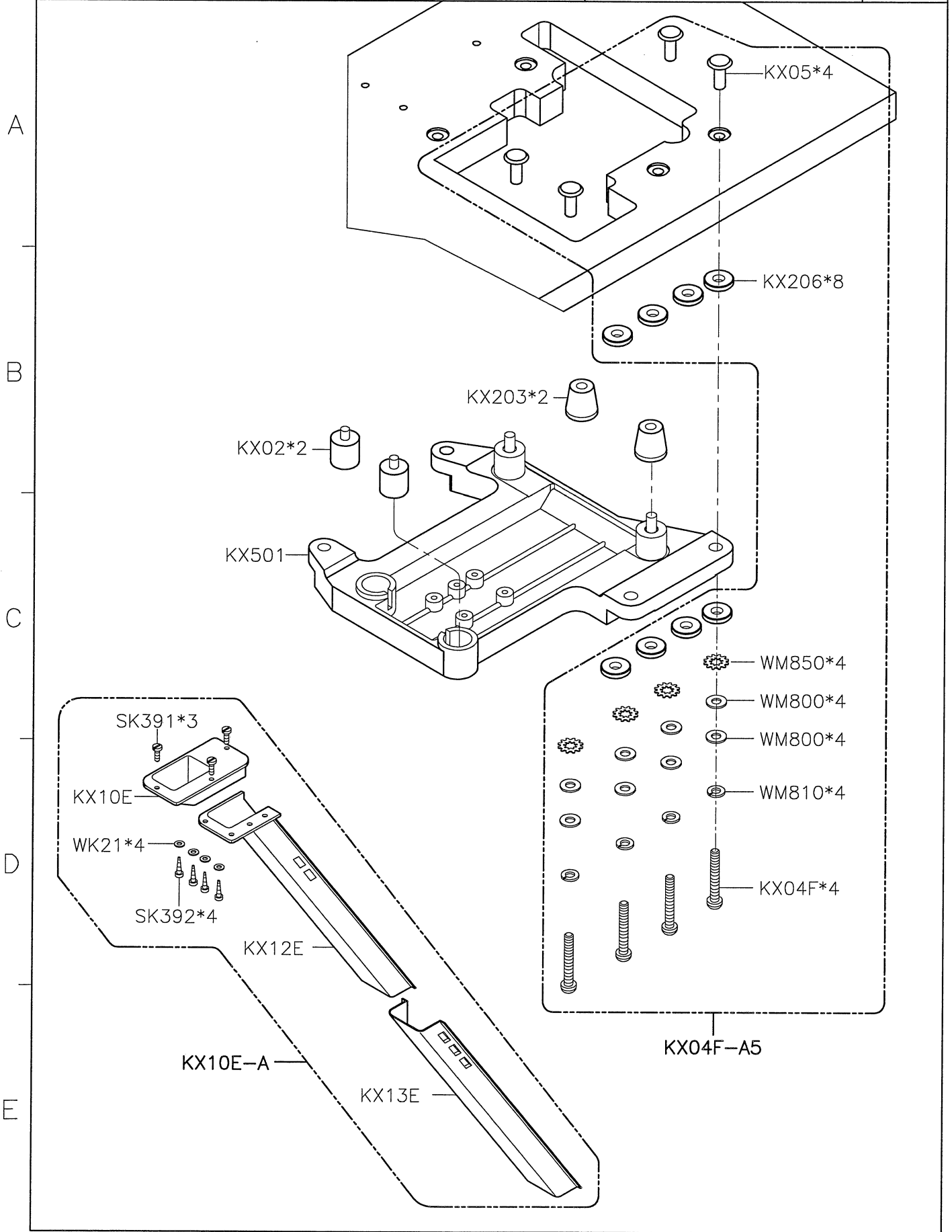


SIRUBA PARTS LIST	Series	Parts Group	Subclass / Remark	Page
	拷克	KW		4/4
	Overlock			Date
	含MO6800系列			2022/07/11

KW40E-6



SIRUBA PARTS LIST	Series	Parts Group	Subclass / Remark	Page
	700KS	KX		1/1
				Date
				2014/03/05



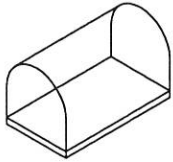
1 2 3 4 5

SIRUBA PARTS LIST	Series	Parts Group	Subclass / Remark	Page
	700KS	KY		1/1
				Date
				2025/06/09

A

KY01-1

防塵罩



KY02F-A

油罐



KY03

油壺



KY04

漏斗



SK216

螺絲



B

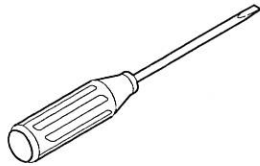
KY14

內六角螺絲起子



LY33

一字起子



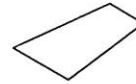
KY18

鑷子



KY30

針板紙



KY201

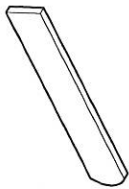
工具袋



C

KR55

下刀片



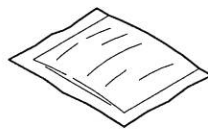
KT14-A

濾油器



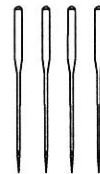
KZ03

乾燥濟



針*4

車針



LY35

一字起子



D

KY21-A

鉤子/鍊條



E

1

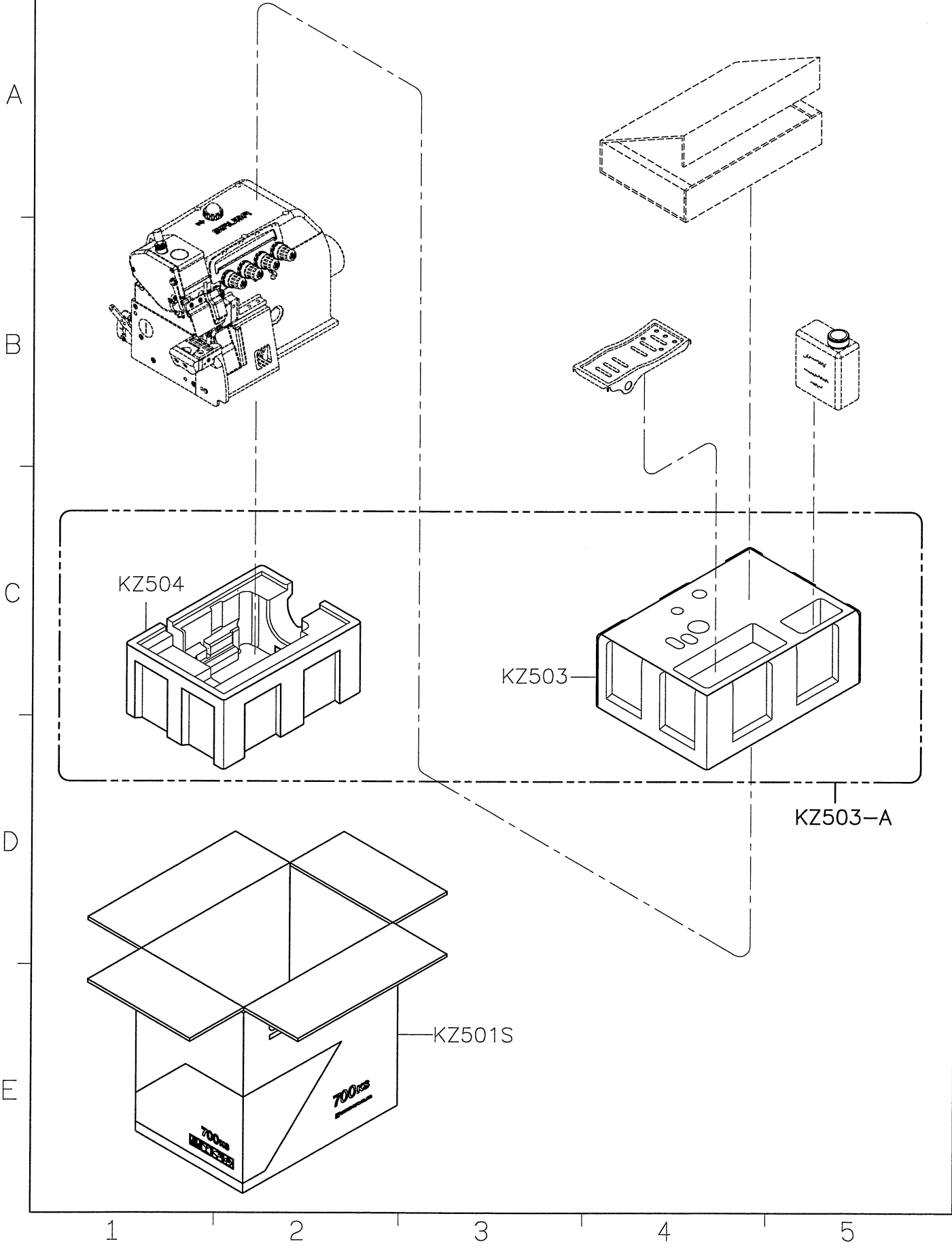
2

3

4

5

SIRUBA PARTS LIST	Series	Parts Group	Subclass / Remark	Page
	700KS	KZ		1/1
				Date
				2014/03/03



SIRUBA

TABLE
CUT - OUT

Series

700KS/T

Item Code

700KS-T

Subclass Remark

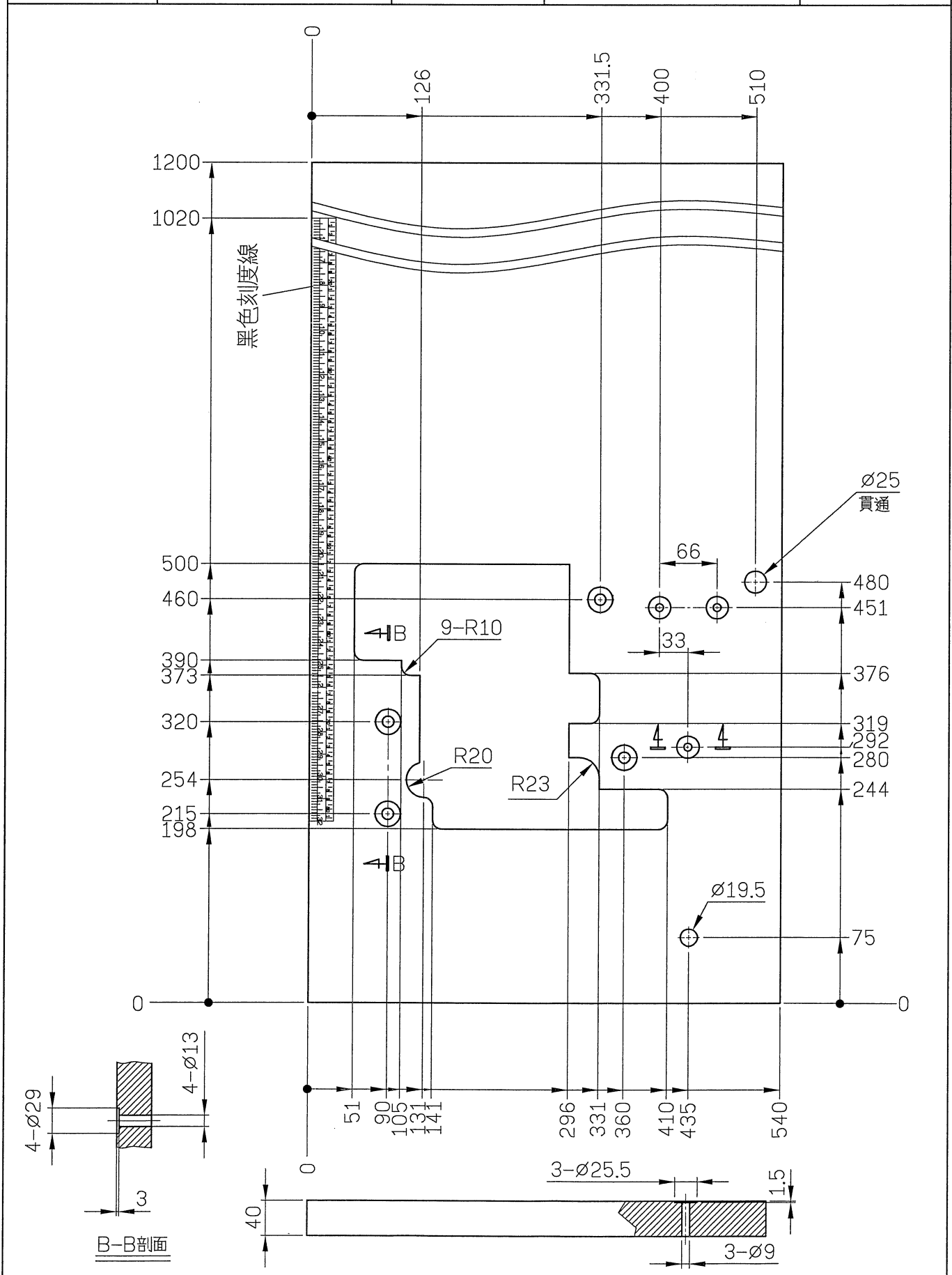
UNIT: mm
TOLERANCE: ± 2
WEIGHT: 11.6 kg $\pm 5\%$

Mounting

Semi-submerged

Date

2014/06/18



SIRUBA

TABLE
CUT - OUT

Series

700KS/T

Item Code

700KS-T1

Subclass Remark

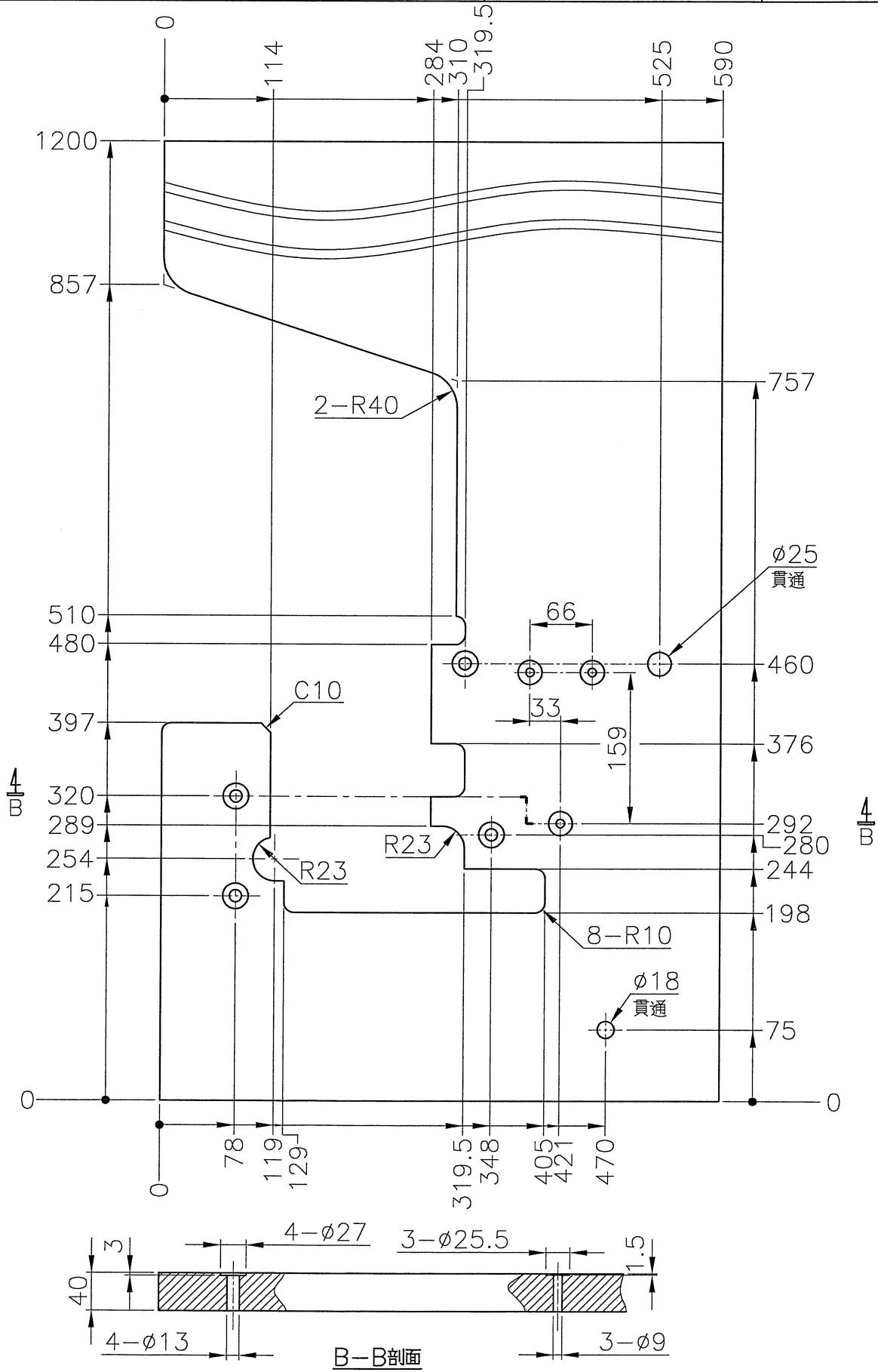
UNIT: mm
TOLERANCE: ± 2
WEIGHT: 11.6 kg $\pm 5\%$

Mounting

Semi-submerged

Date

2013/09/30



SIRUBA

TABLE
CUT - OUT

Series

700KS/T

Item Code

700KS-T2

Subclass Remark

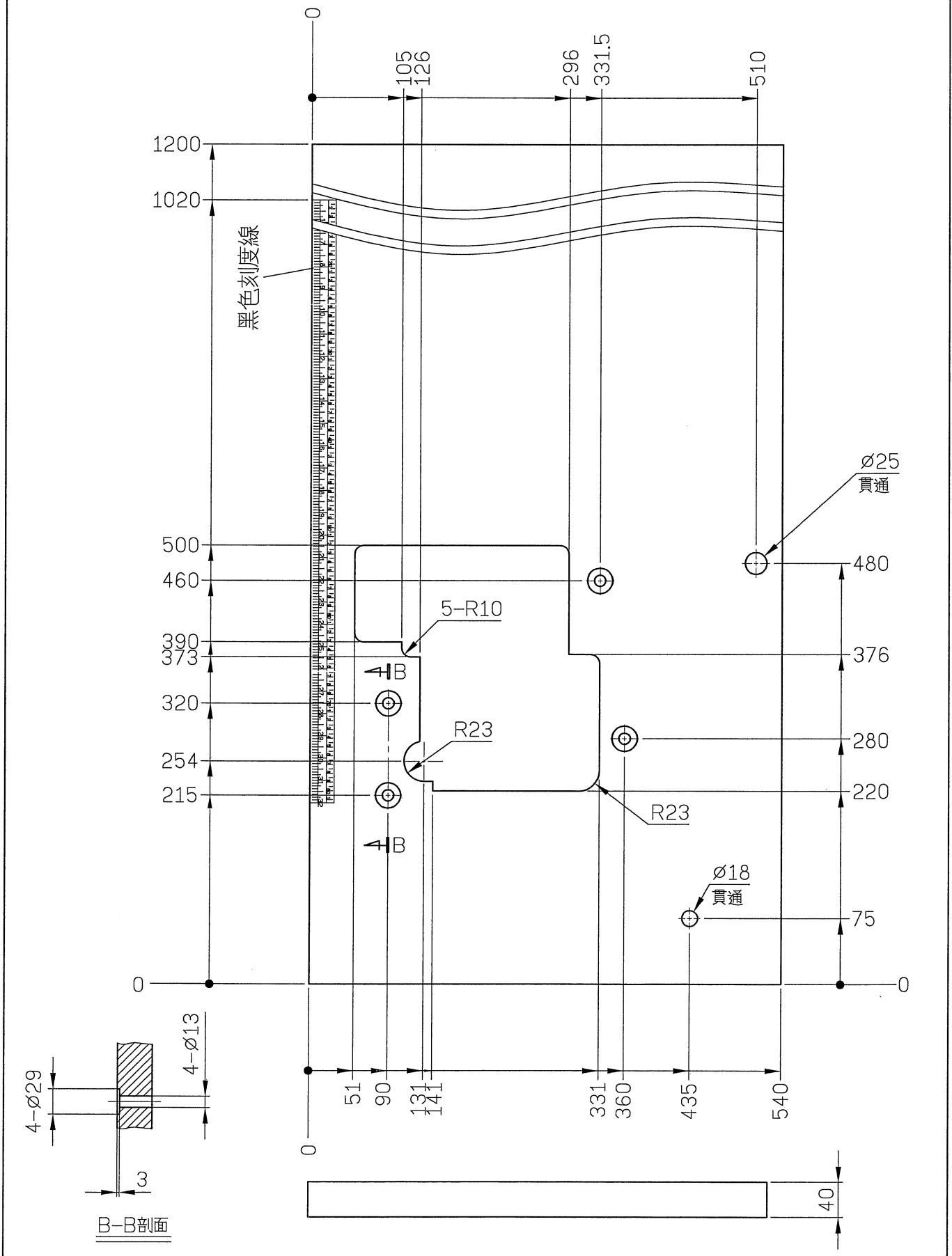
UNIT: mm
TOLERANCE: ± 2
WEIGHT: 11.6 kg $\pm 5\%$

Mounting

Semi-submerged
installation

Date

2014/06/18



SIRUBATABLE
CUT - OUT

Series

700KS/T

Item Code

700KS-T3

Subclass Remark

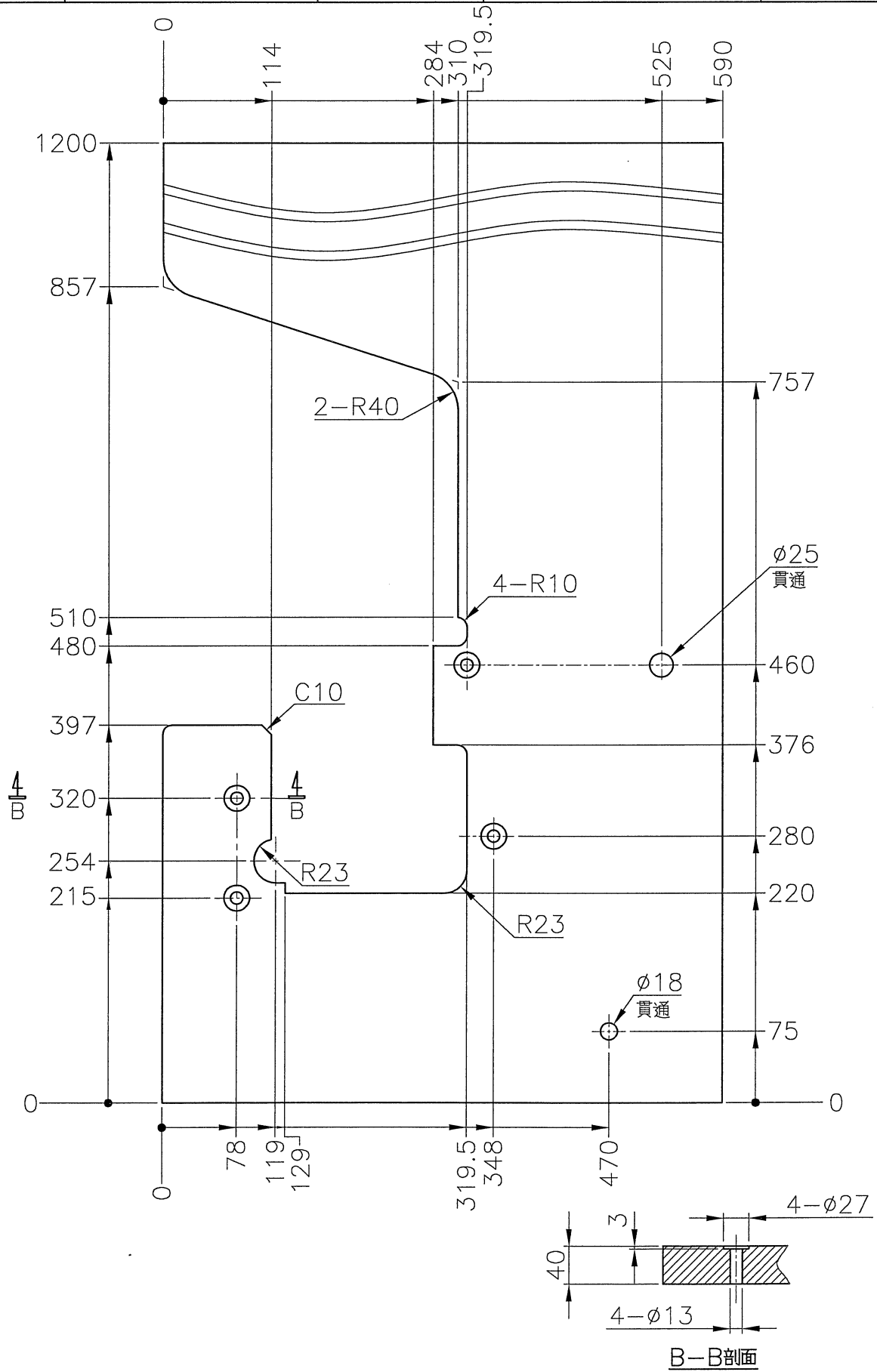
UNIT: mm
TOLERANCE: ± 2
WEIGHT: 11.6 kg $\pm 5\%$

Mounting

Semi-submerged
installation

Date

2014/06/05



SIRUBA

TABLE
CUT - OUT

Series

700KS/T

Item Code

700KS-T4

Subclass Remark

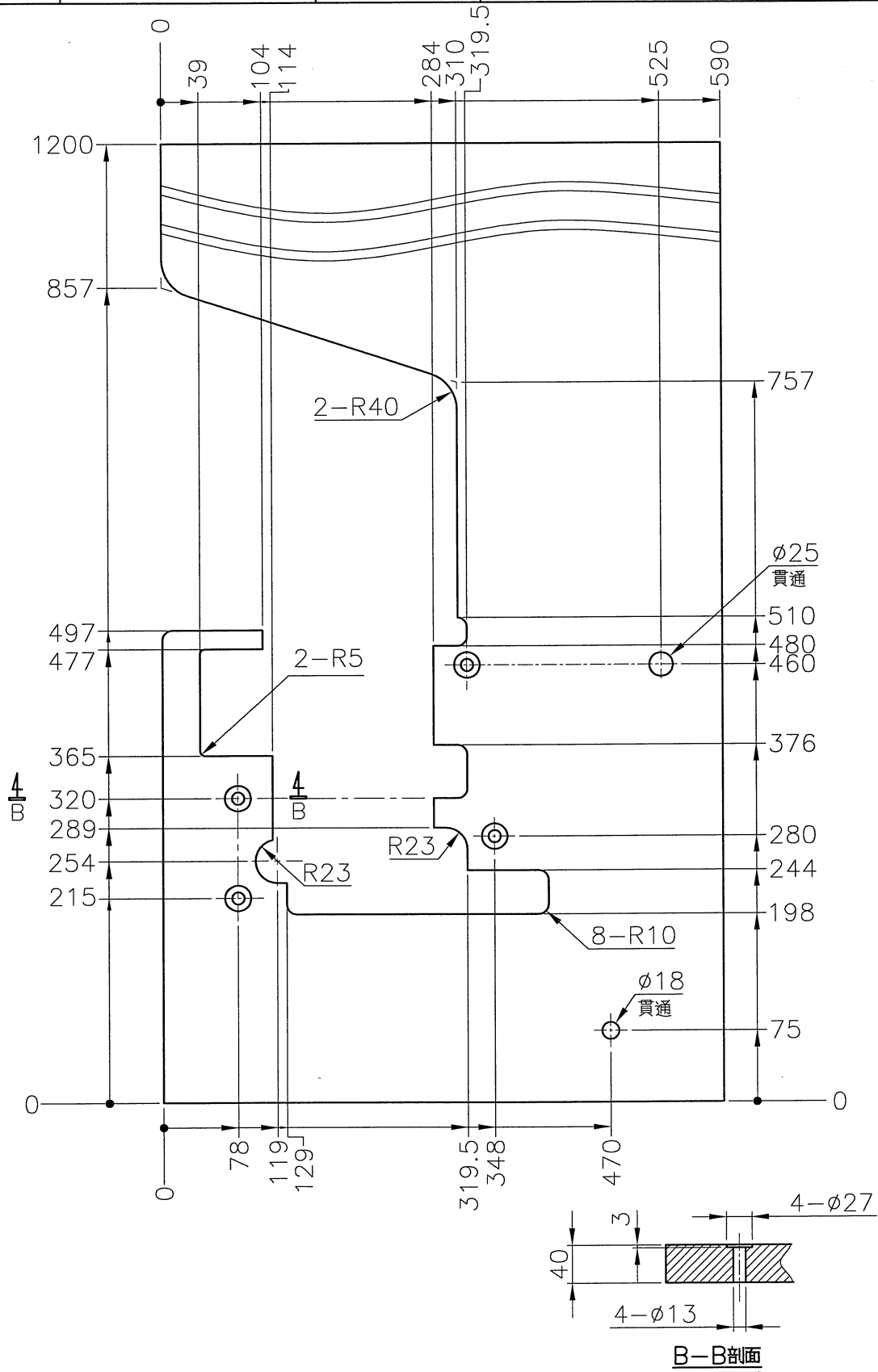
UNIT: mm
TOLERANCE: ± 2
WEIGHT: 11.6 kg $\pm 5\%$

Mounting

Semi-submerged
installation

Date

2016/08/08



SIRUBA

TABLE
CUT - OUT

Series

700KS/T

Item Code

700KS-T5

Subclass Remark

UNIT: mm
TOLERANCE: ± 2
WEIGHT: 11.6 kg $\pm 5\%$
For:LFD M/C 需配SM899-A

Mounting

Non-submerged

Date

2014/10/17

