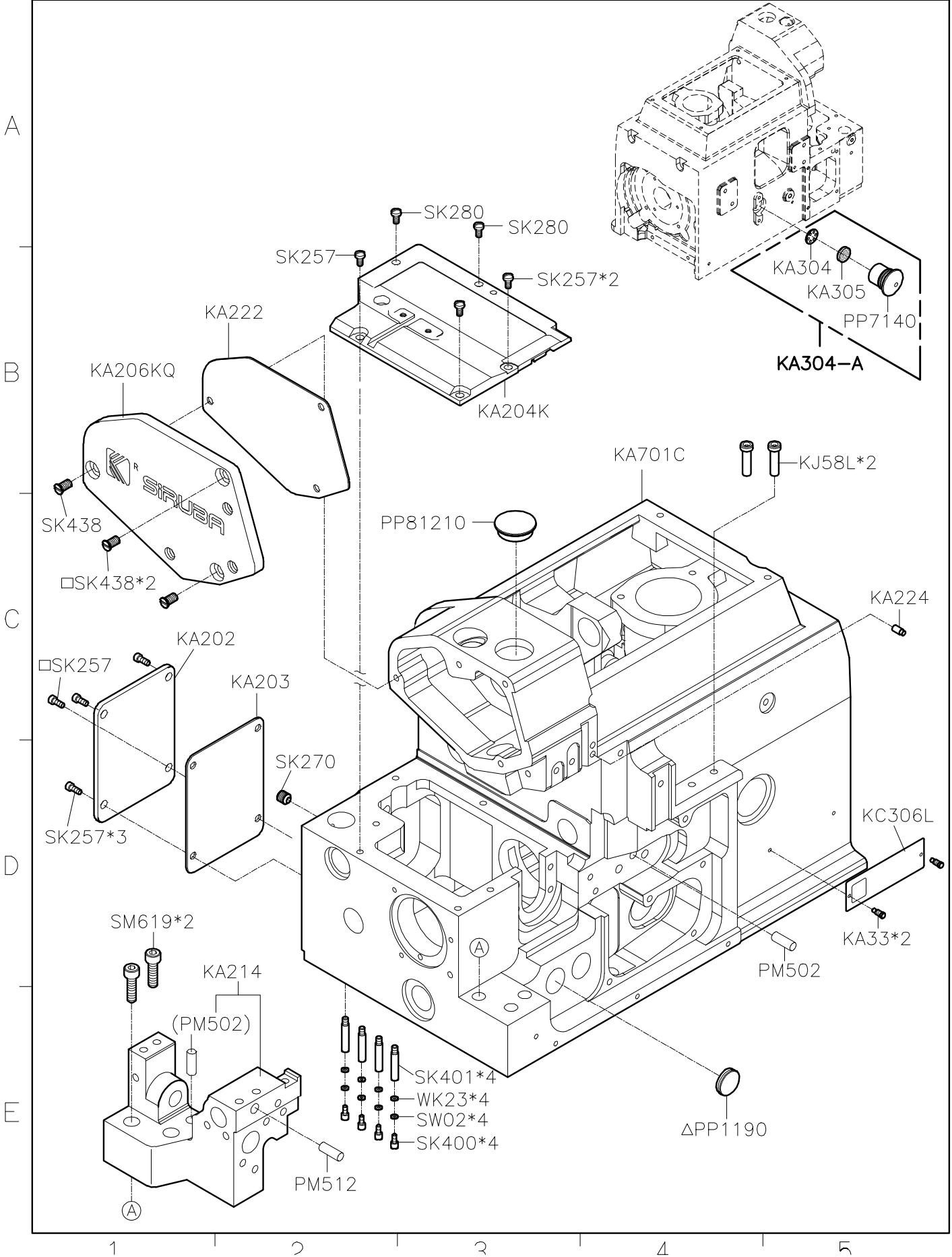


SIRUBA PARTS LIST	Series	Parts Group	Subclass / Remark	Page
	700KQT	KA	Δ: Use for #4 □: Use for without ECB(ECM)(VTM)	1/1
				Date
				2025/06/18



SIRUBA PARTS LIST	Series	Parts Group	Subclass / Remark	Page
	700KQT	KB	□: Use for without ECB(ECM)(VTM)	1/1
				Date
				2024/10/28

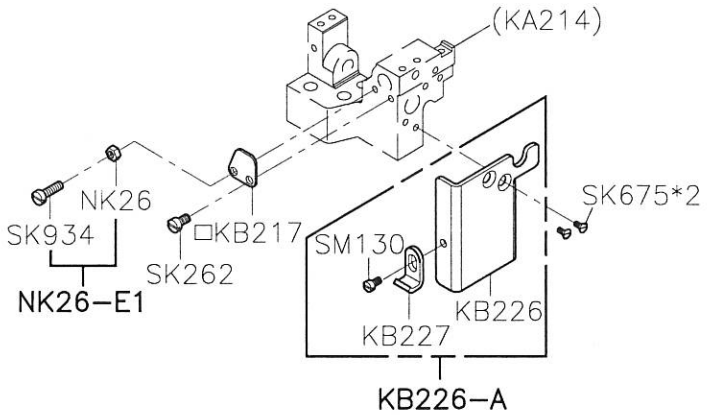
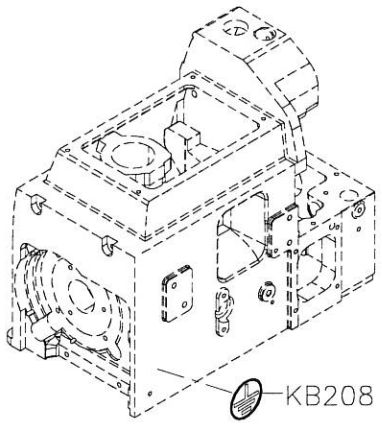
A

B

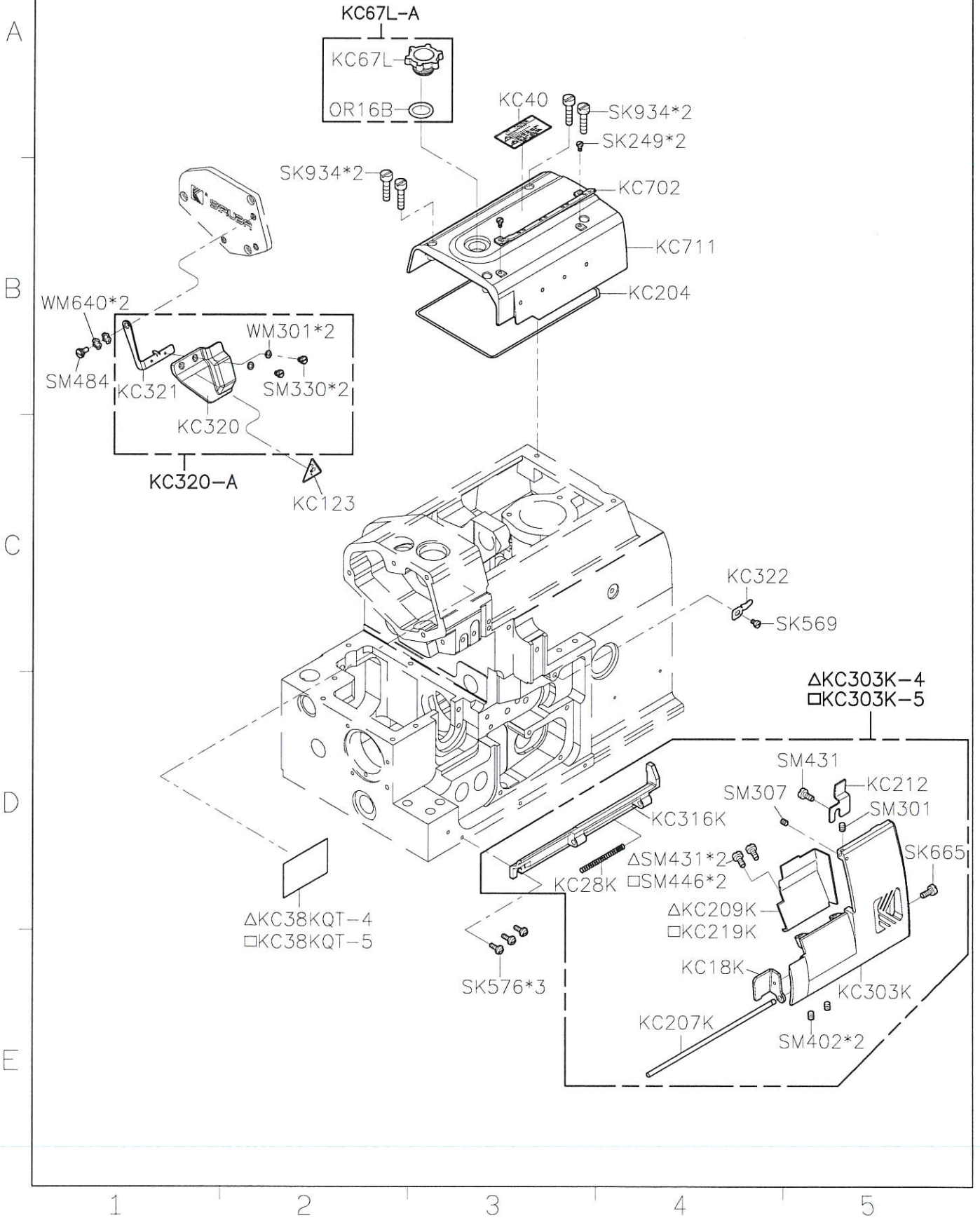
C

D

E



SIRUBA PARTS LIST	Series	Parts Group	Subclass / Remark	Page
	700KQT	KC	Δ: Use for #4 □: Use for #5	1/1
				Date
				2024/10/28



SIRUBA PARTS LIST	Series	Parts Group	Subclass / Remark	Page
	700KQT	KD	△: Use for #4 □: Use for #5	1/2
				Date
				2025/06/16

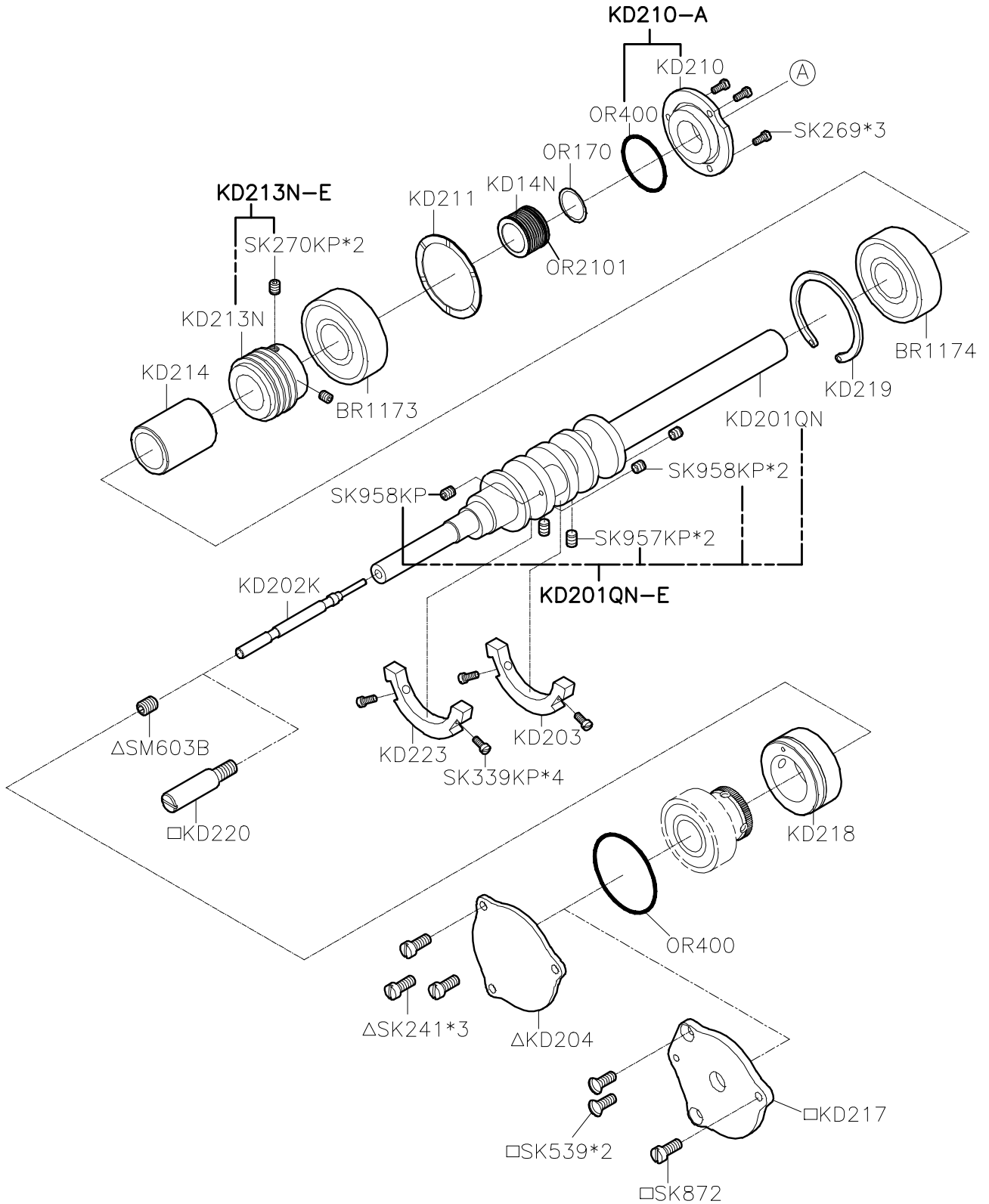
A

B

C

D

E



1

2

3

4

5

SIRUBA PARTS LIST	Series	Parts Group	Subclass / Remark	Page
	700KQT	KD		2/2
				Date
				2024/10/28

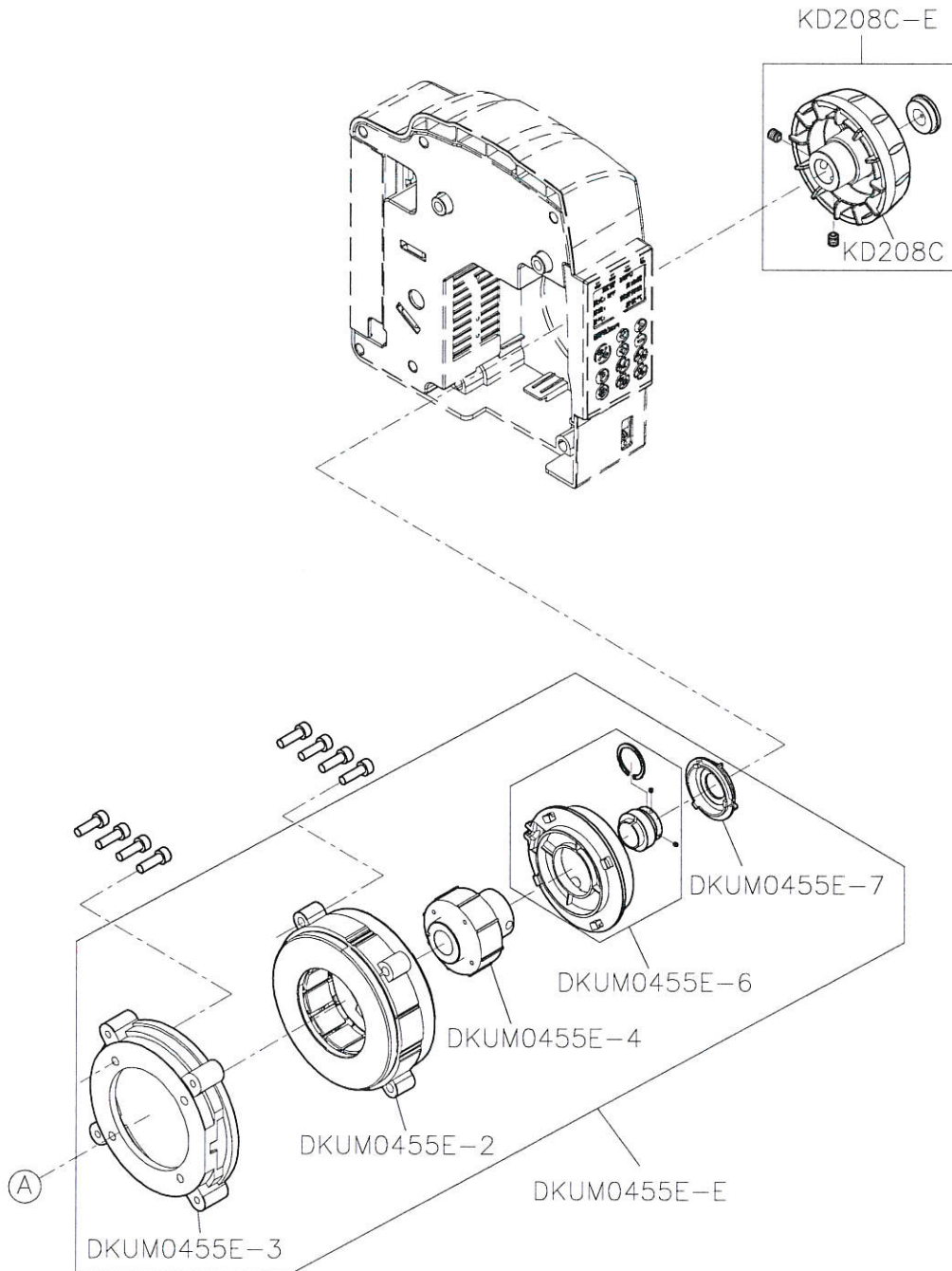
A

B

C

D

E



1

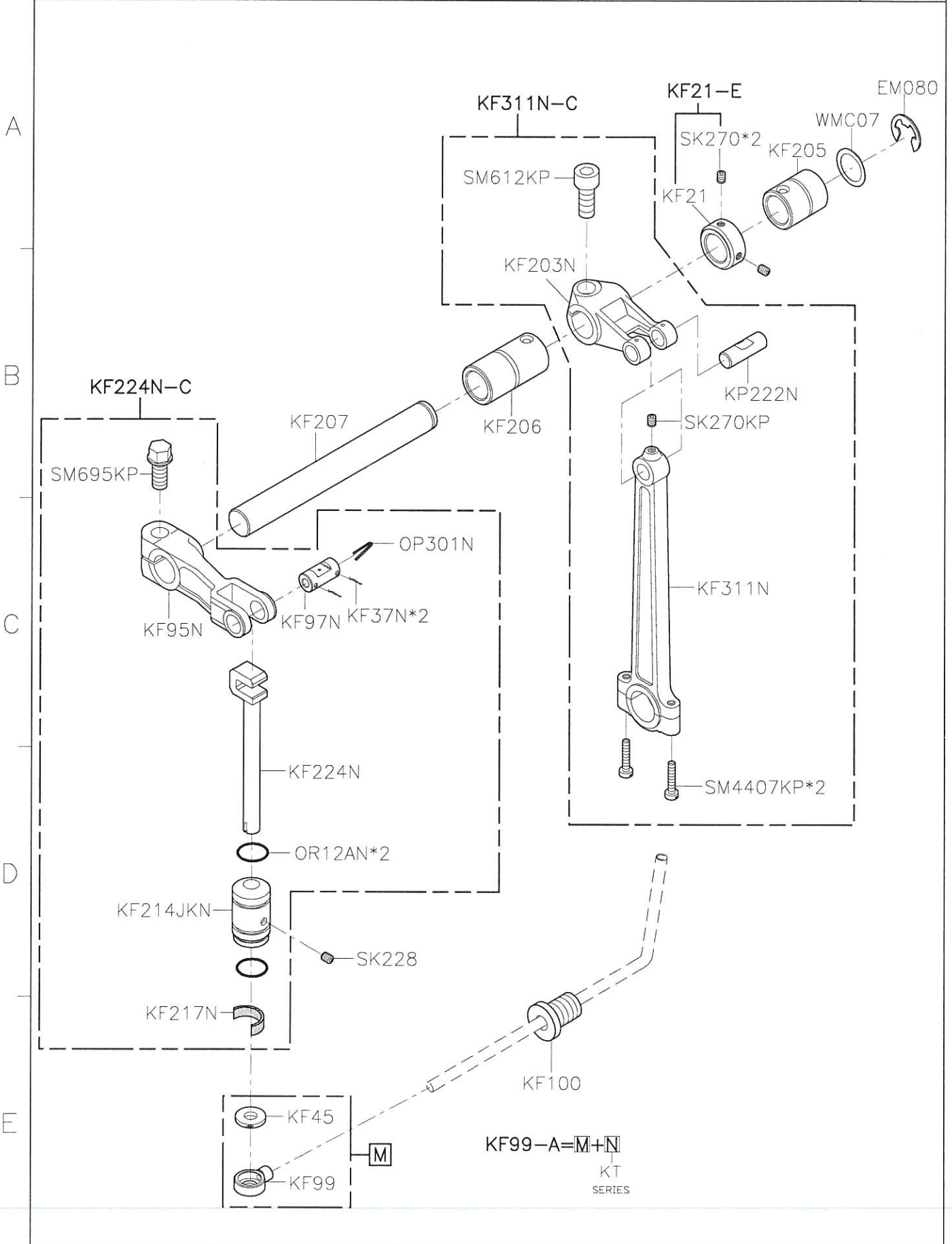
2

3

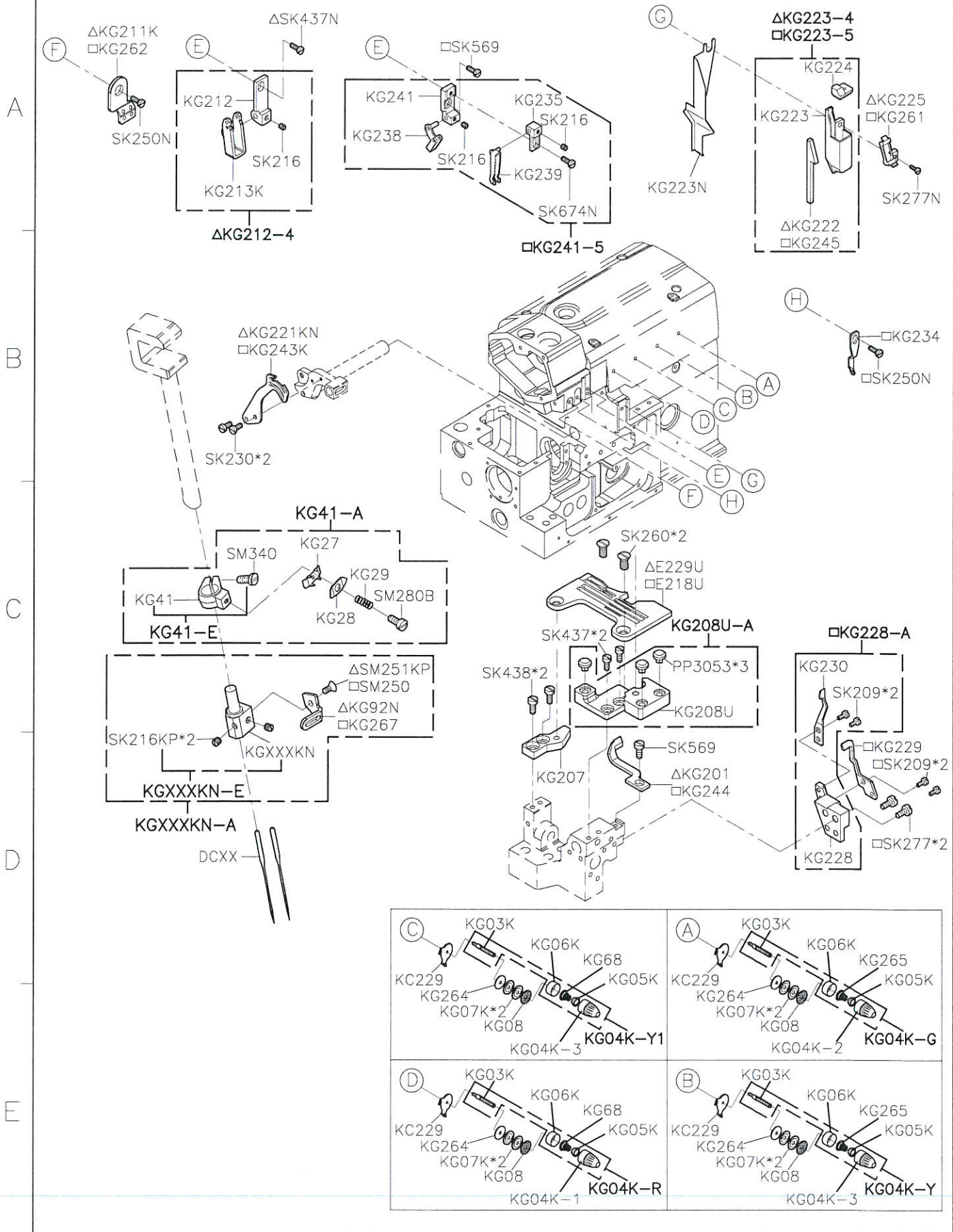
4

5

SIRUBA PARTS LIST	Series	Parts Group	Subclass / Remark	Page
	700KQT	KF		1/1
				Date
				2024/10/28



SIRUBA PARTS LIST	Series	Parts Group	Subclass / Remark	Page
	700KQT	KG	Δ: Use for #4/ECB(ECM)(VTM) □: Use for #5/ECB(ECM)(VTM)	1/1
				Date
				2024/10/28



SiRUBA PARTS LIST	Series	Parts Group	Subclass / Remark	Page
	700KQT	KJ	Δ: Use for #4 □: Use for #5	1/1
				Date
				2024/10/28

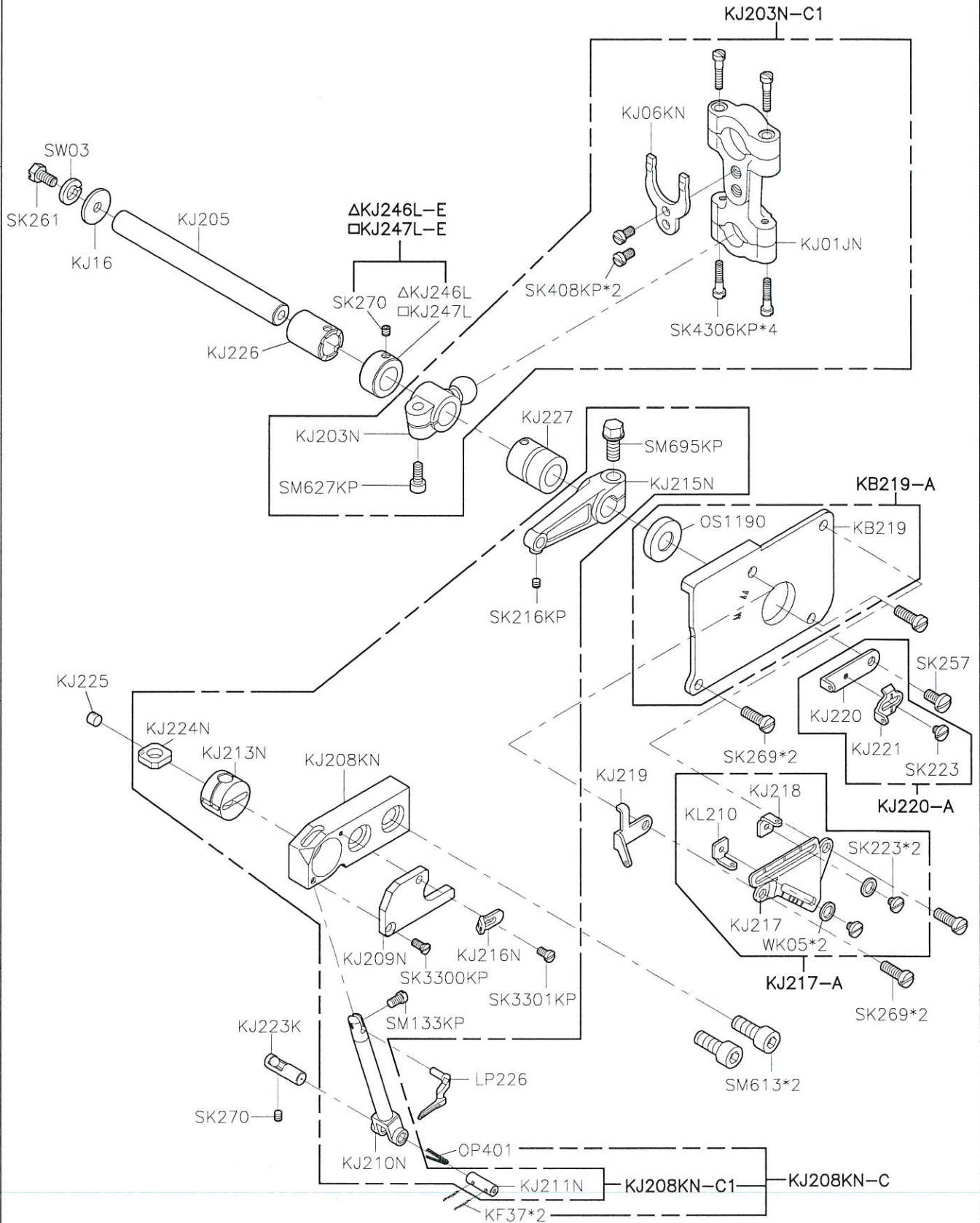
A

B

C

D

E



1

2

3

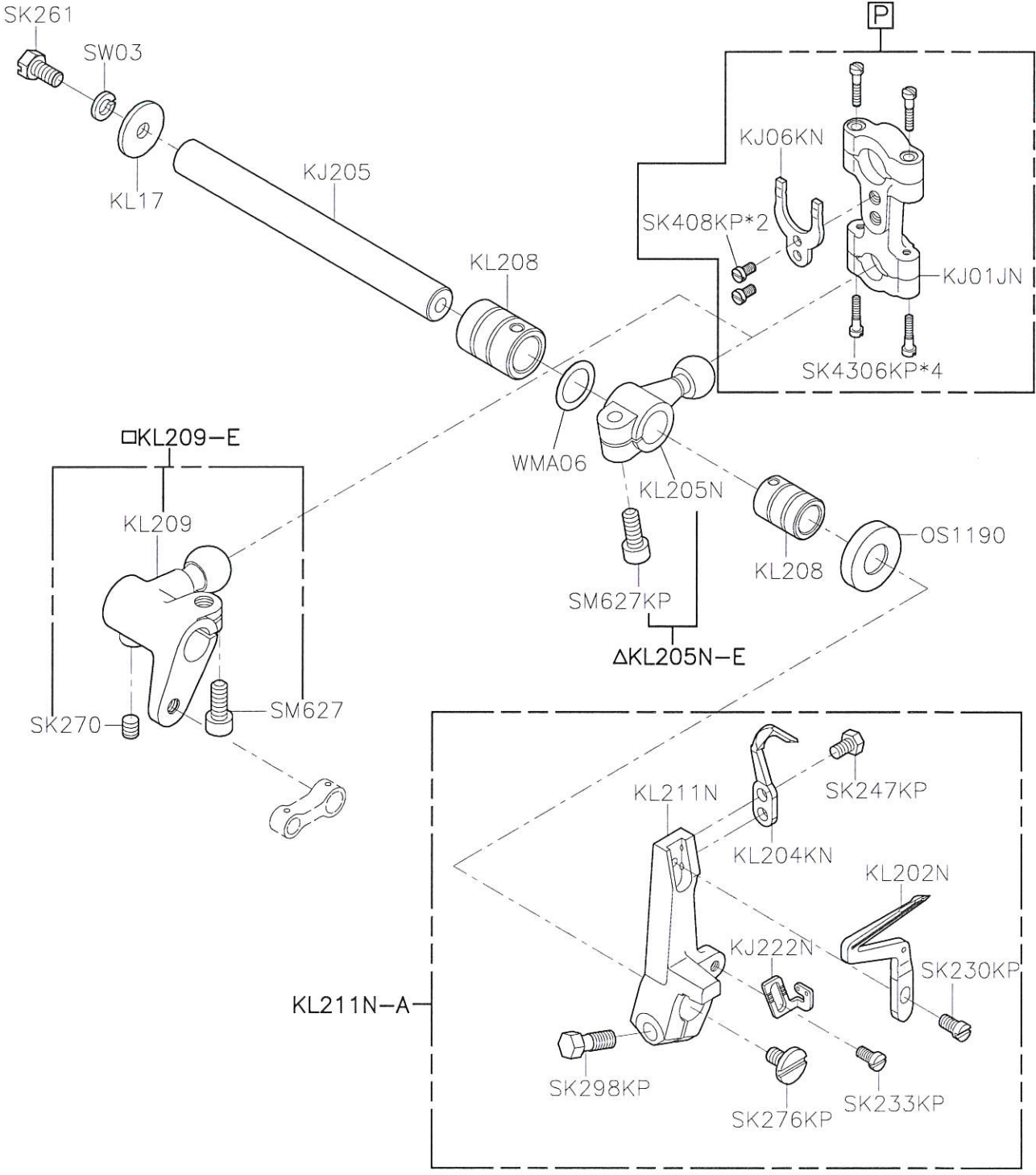
4

5

SIRUBA PARTS LIST	Series	Parts Group	Subclass / Remark	Page
	700KQT	KL	Δ: Use for #4 □: Use for #5	1/1
				Date
				2024/10/28

A
B
C
D
E

□KL209N-C1=□KL209-E+□P+S
 KM SERIES
 ΔKL205N-C1=ΔKL205N-E+□



1 2 3 4 5

SIRUBA PARTS LIST	Series	Parts Group	Subclass / Remark	Page
	700KQT	KM	Use for #5 此頁僅限5線機型專用	1/1
				Date
				2024/10/28

□KL209N-C1=□KL209-E+□P+S
KL
SERIES

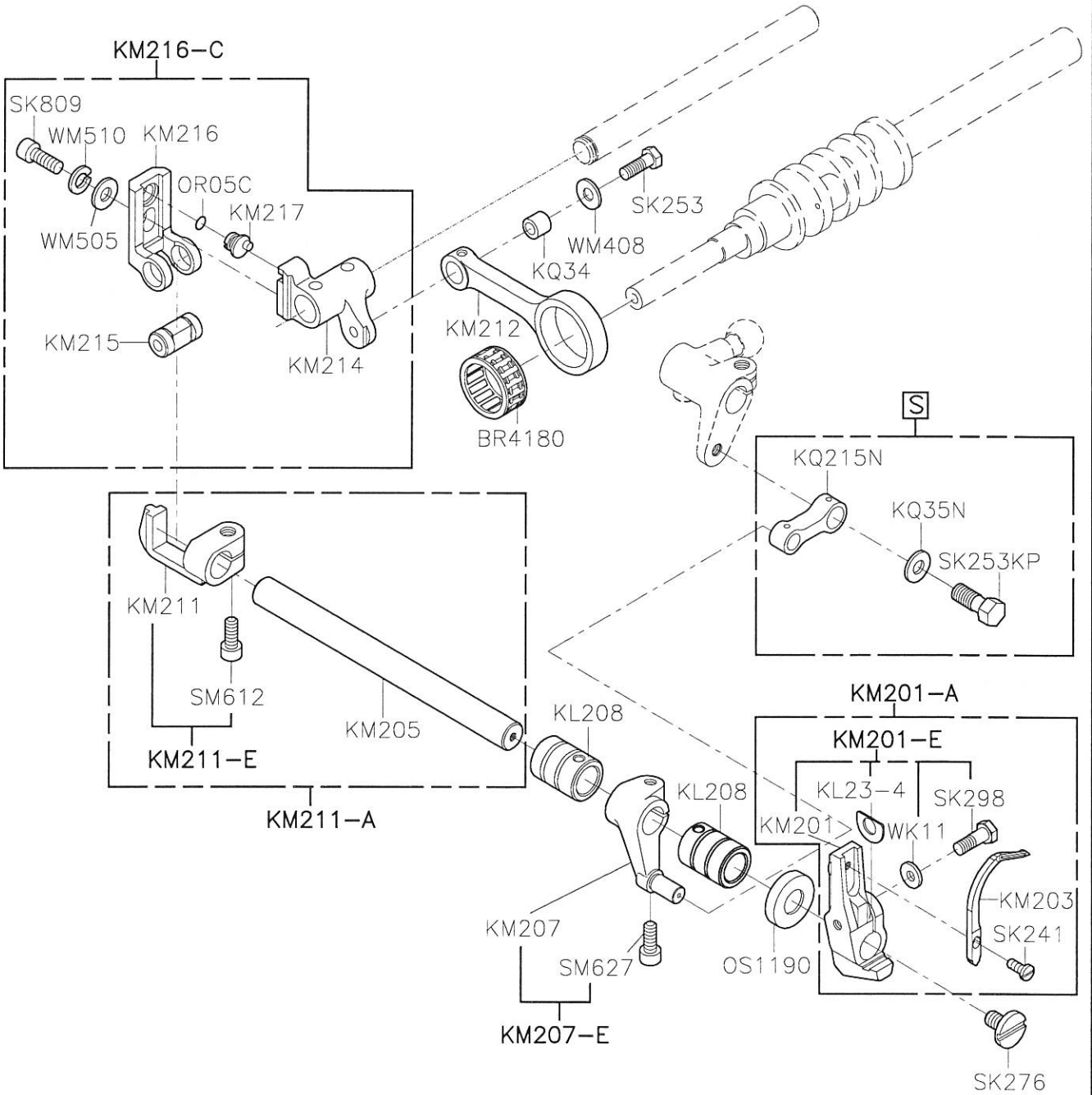
A

B

C

D

E



1

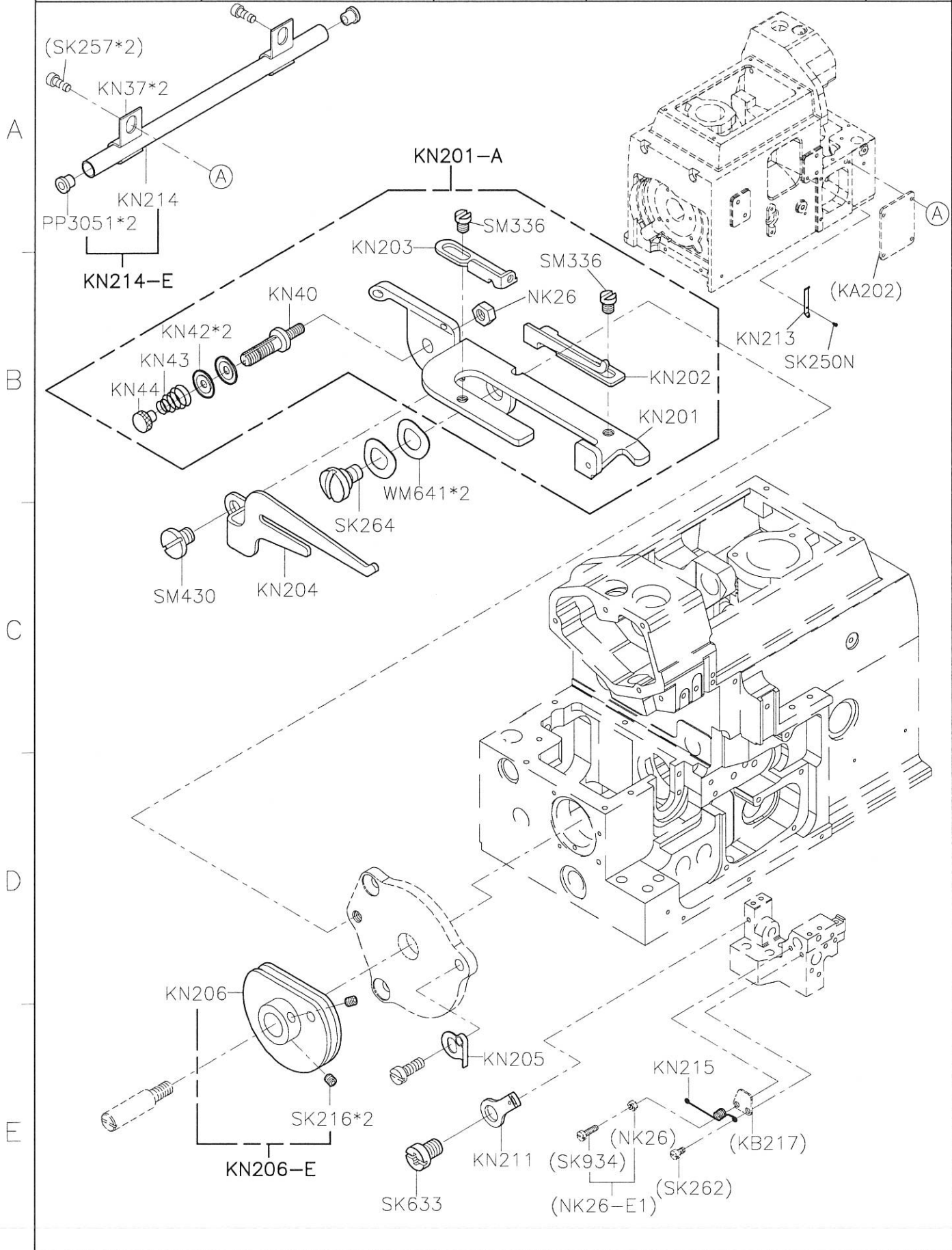
2

3

4

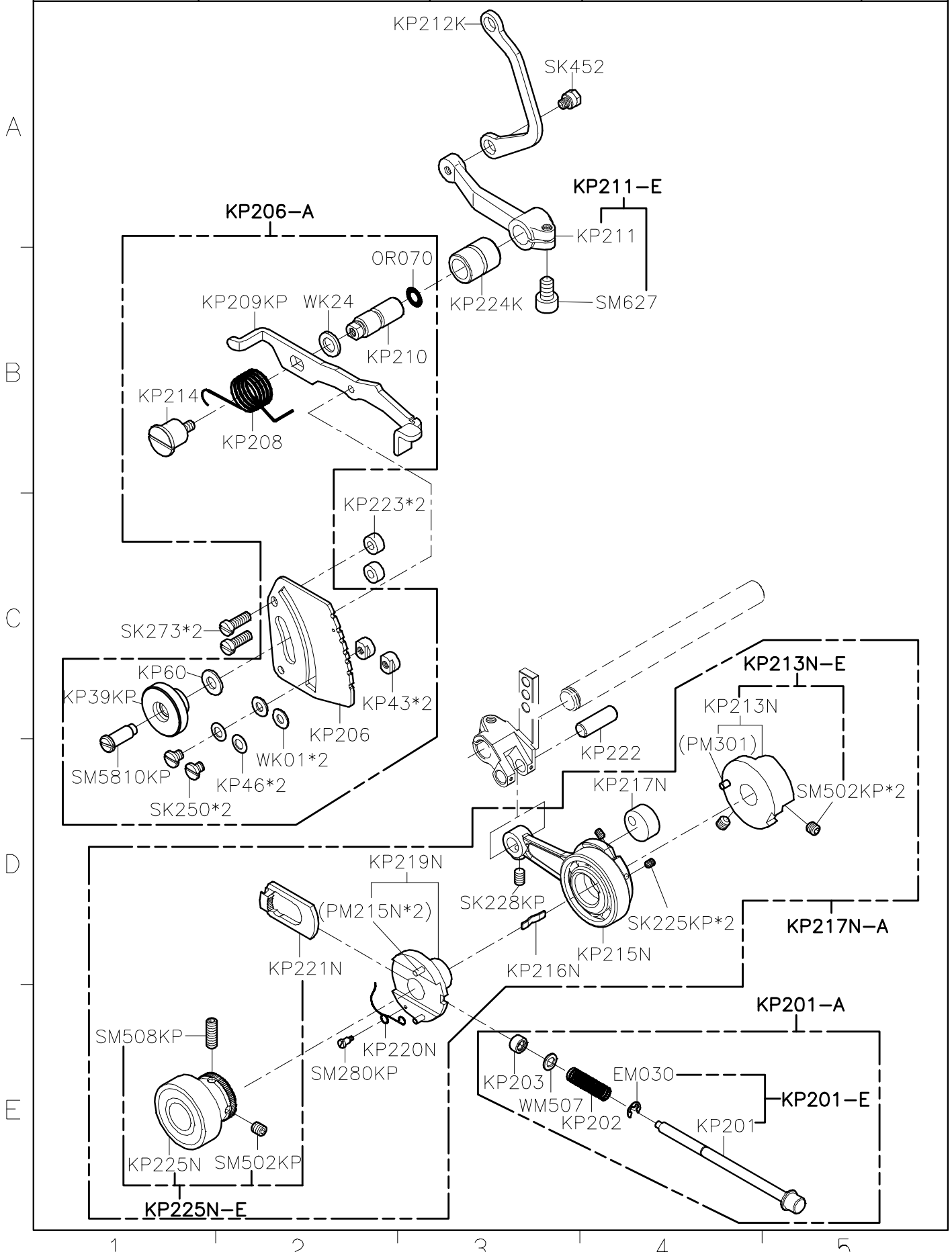
5

SiRUBA PARTS LIST	Series	Parts Group	Subclass / Remark	Page
	700KQT	KN	Use for #5 此頁僅限5線機型專用	1/1
				Date
				2024/10/28

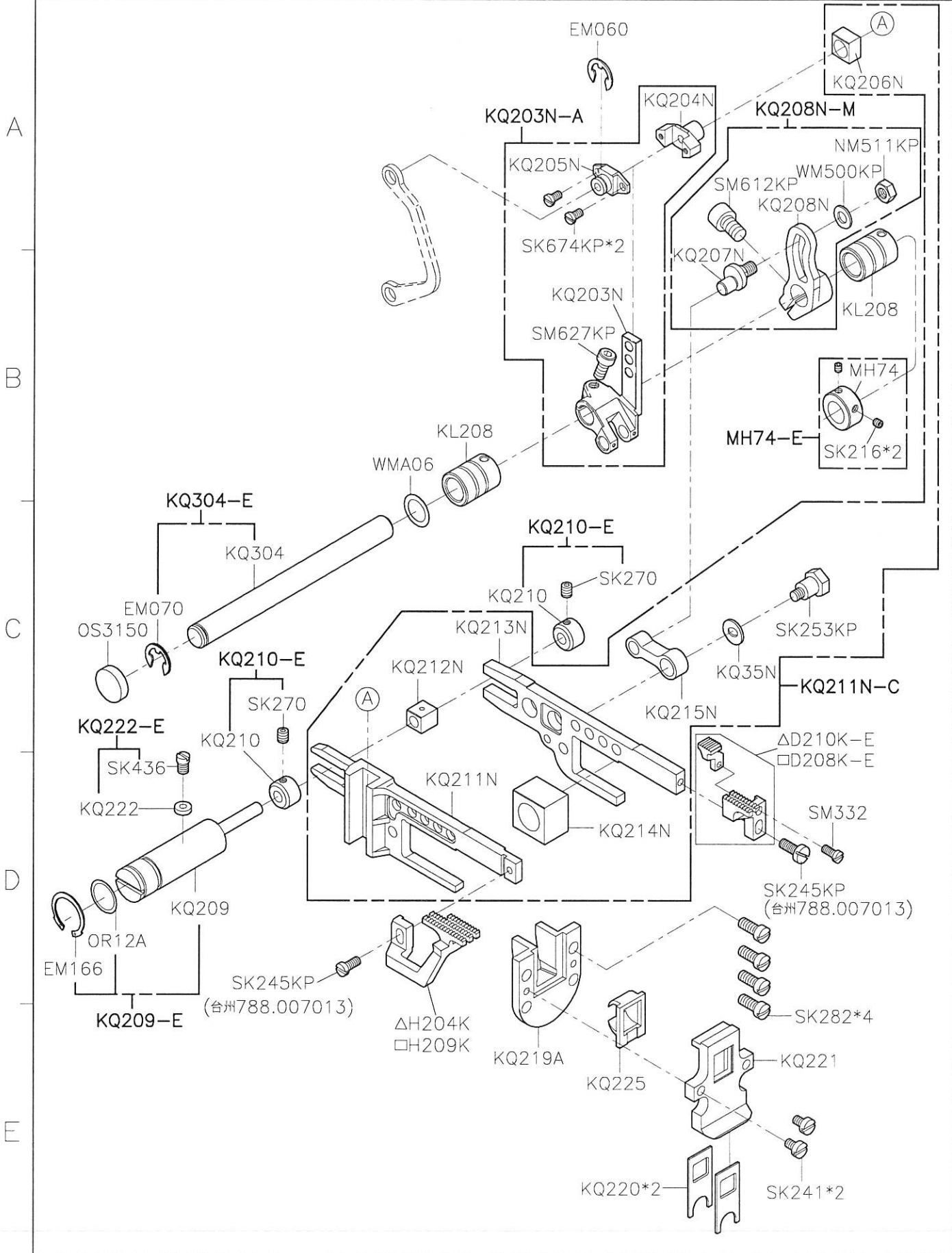


1 2 3 4 5

SIRUBA PARTS LIST	Series	Parts Group	Subclass / Remark	Page
	700KQT	KP		1/1
				Date
				2024/10/25



SIRUBA PARTS LIST	Series	Parts Group	Subclass / Remark	Page
	700KQT	KQ	Δ: Use for #4/ECB(ECM)(VTM) □: Use for #5/ECB(ECM)(VTM)	1/1
				Date
				2024/10/28



1 2 3 4 5

SIRUBA PARTS LIST	Series	Parts Group	Subclass / Remark	Page
	700KQT	KR	Δ: Use for #4 □: Use for #5	1/1
				Date
				2024/10/28

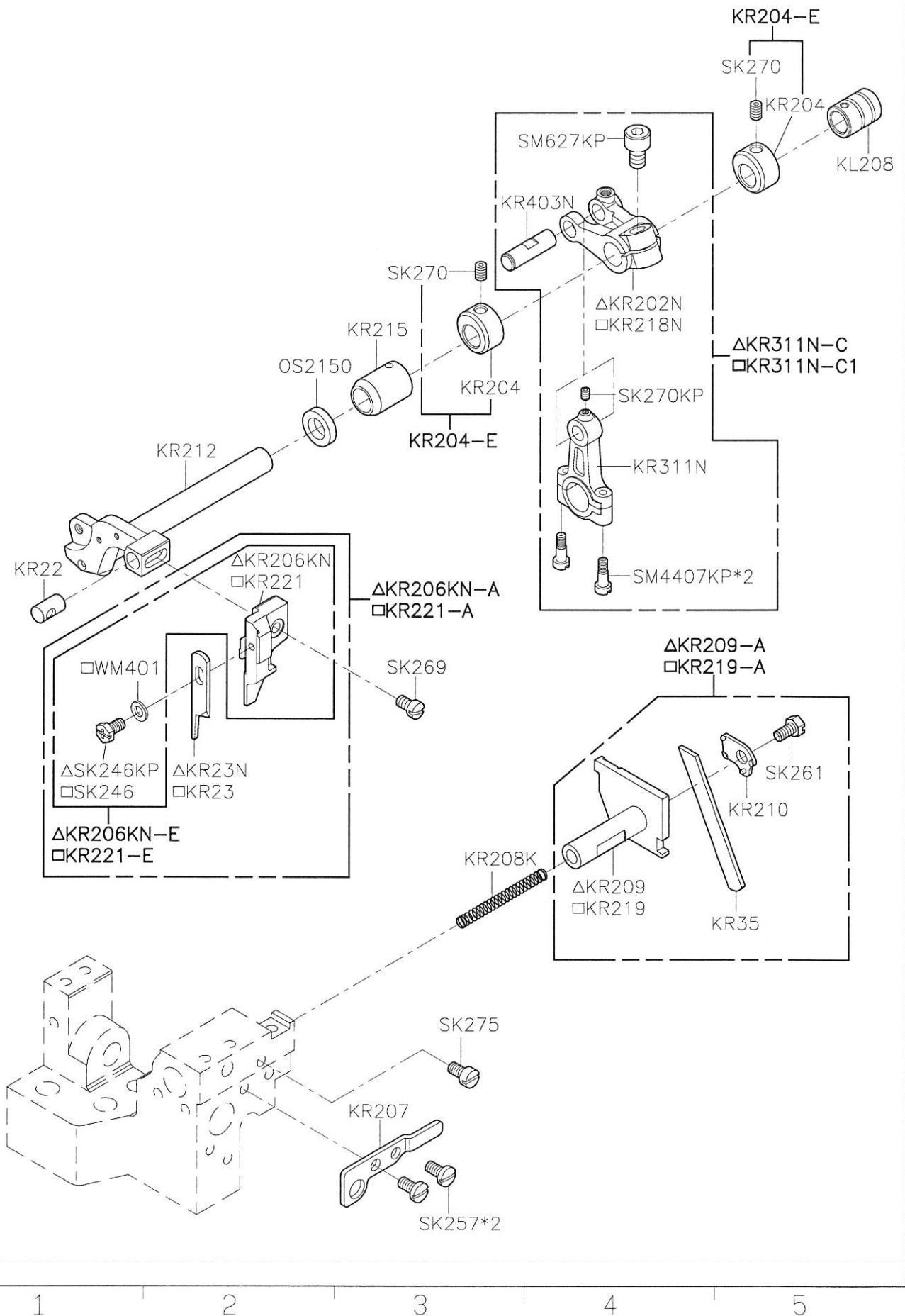
A

B

C

D

E



1

2

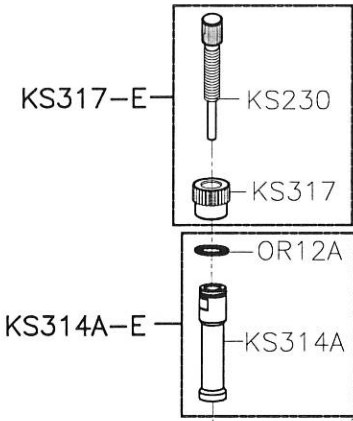
3

4

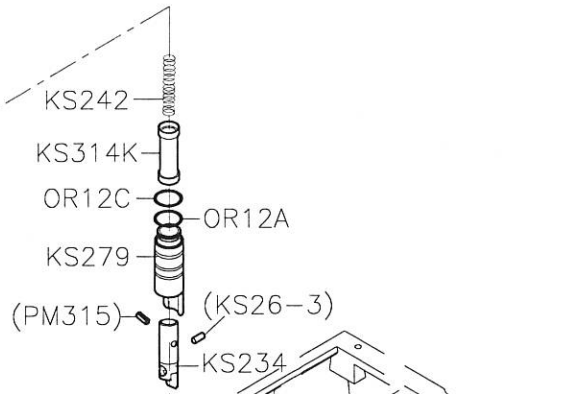
5

SiRUBA PARTS LIST	Series	Parts Group	Subclass / Remark	Page
	700KQT	KS	△: Use for #4/ECB(ECM)	1/1
			□: Use for #5/ECB(ECM)	Date
			☆: Use for without ECB(ECM)	2025/05/06

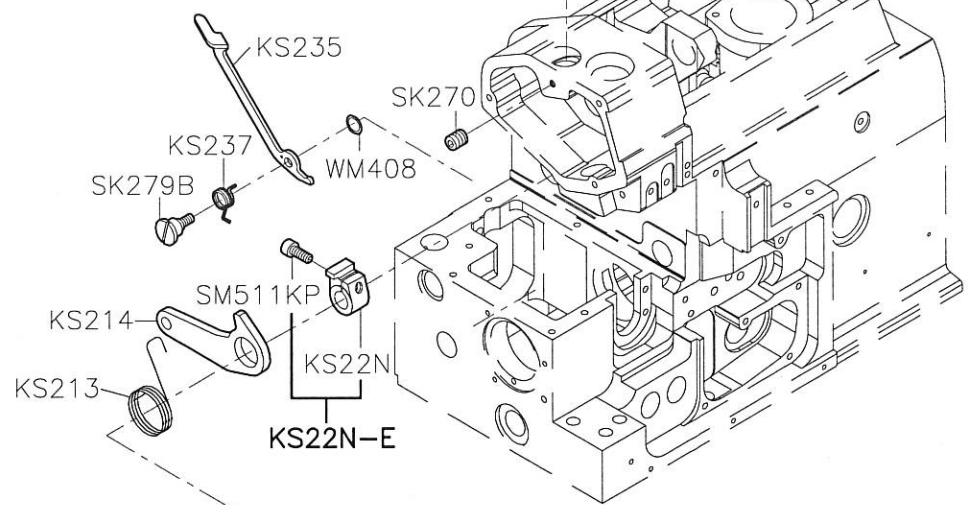
A



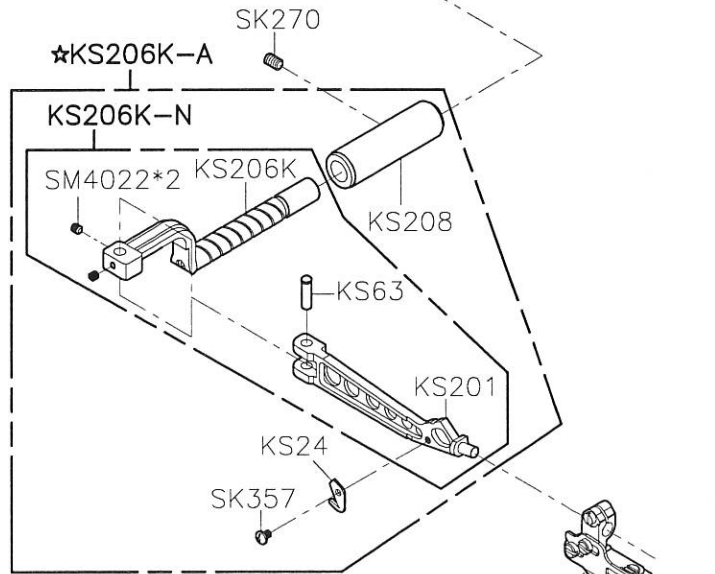
B



C



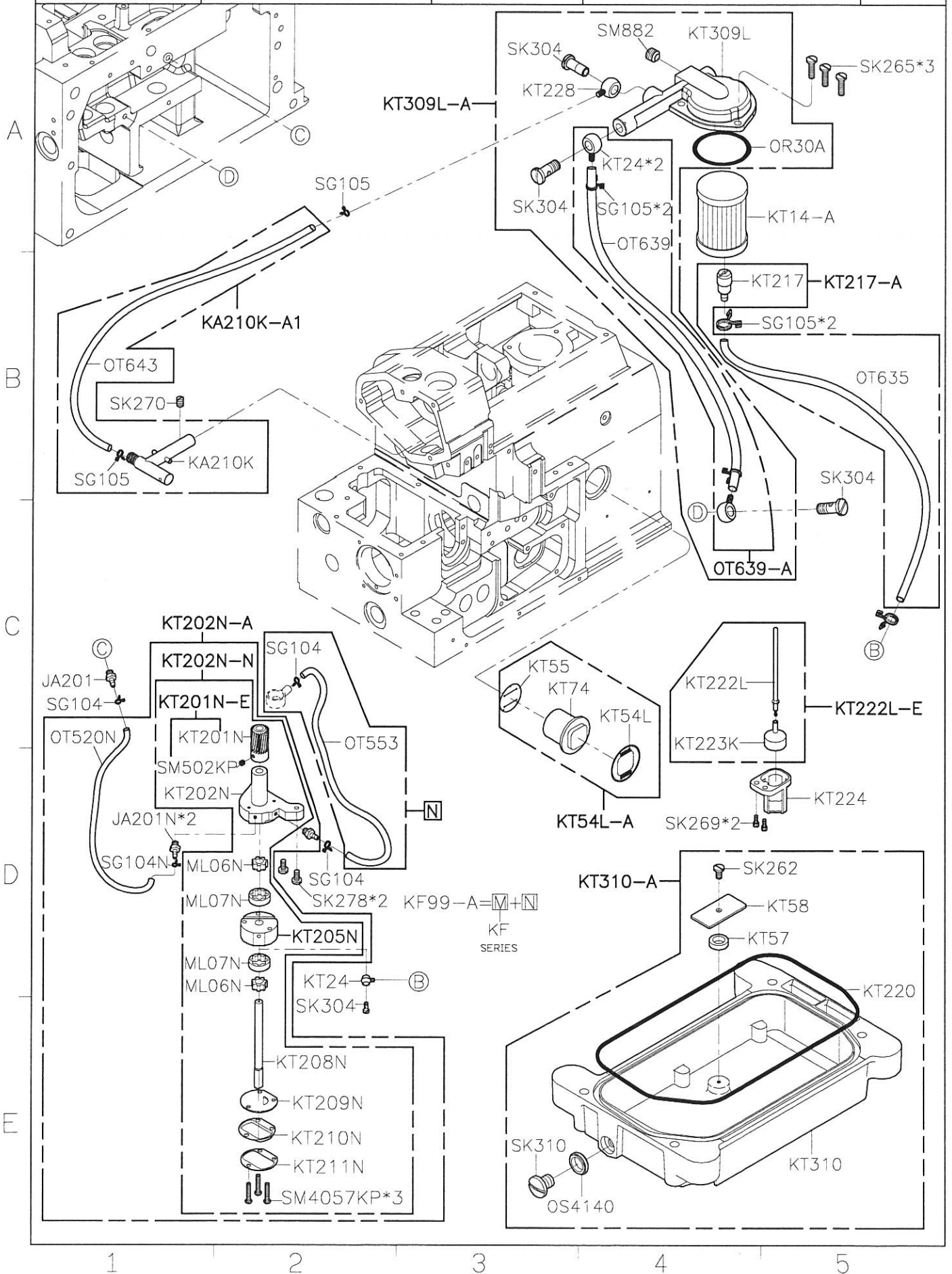
D



E

△P220-A4
□P502J-A

SIRUBA PARTS LIST	Series	Parts Group	Subclass / Remark	Page
	700KQT	KT		1/1
				Date
				2025/02/20



SIRUBA PARTS LIST	Series	Parts Group	Subclass / Remark	Page
	700KQT	KU	Δ: Use for #4 □: Use for #5	1/1
				Date
				2024/10/28

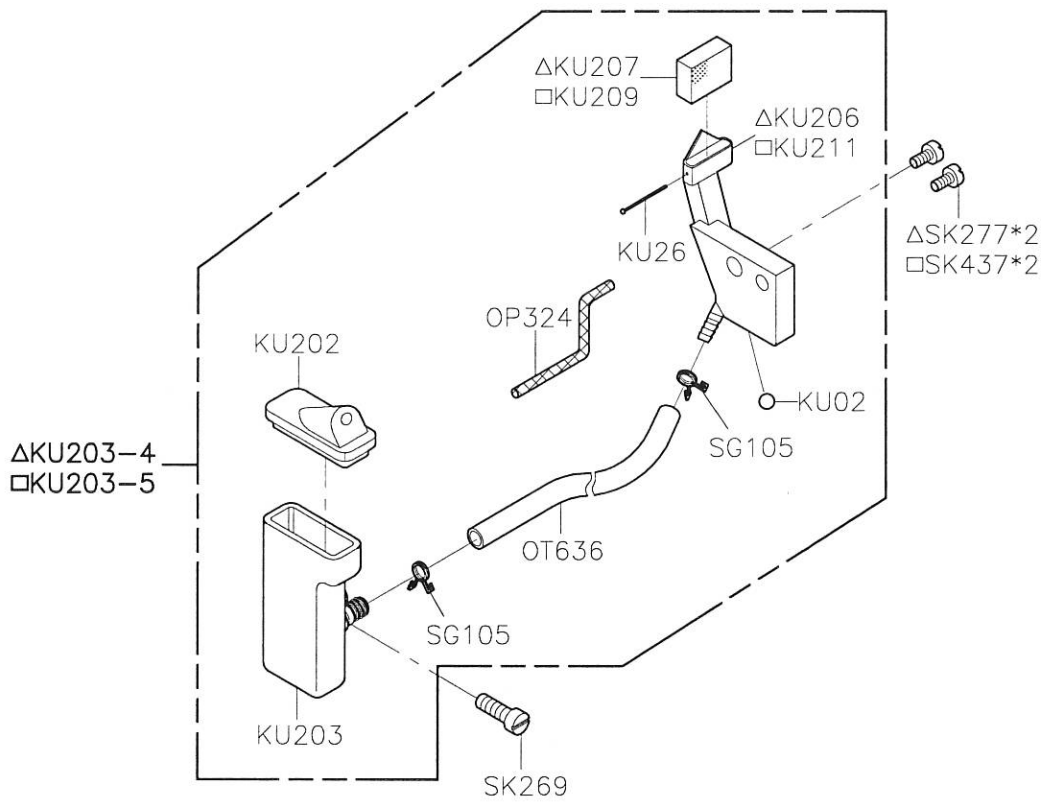
A

B

C

D

E



1

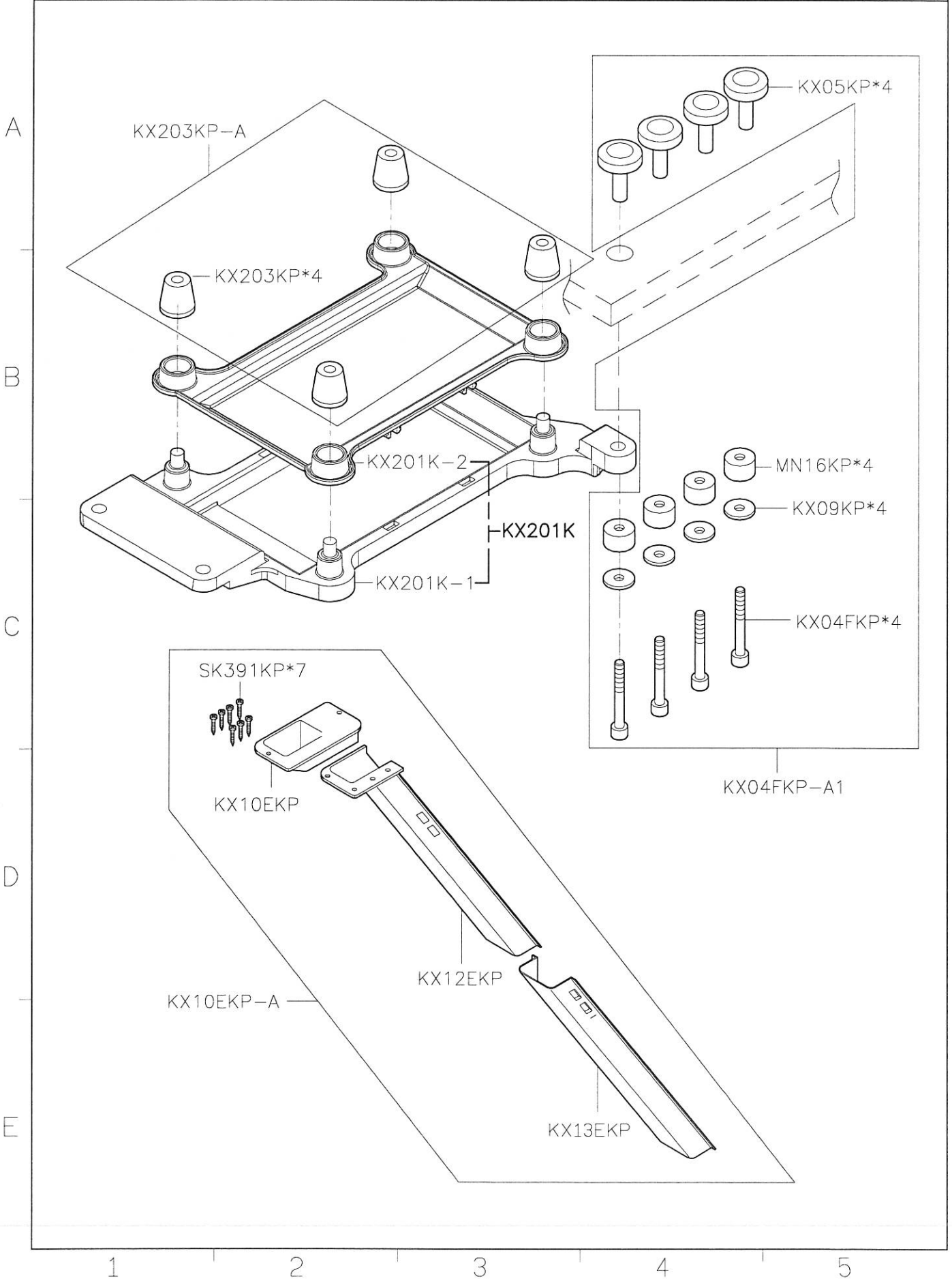
2

3

4

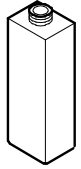
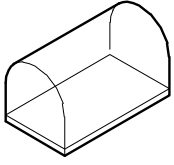
5

SIRUBA PARTS LIST	Series	Parts Group	Subclass / Remark	Page
	700KQT	KX		1/1
				Date
				2024/10/28

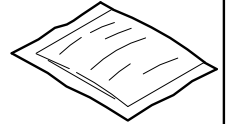
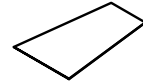
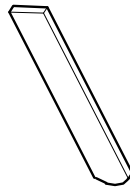
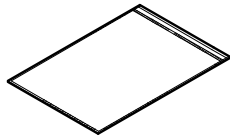
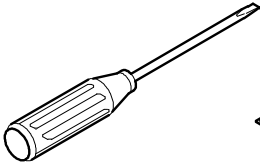
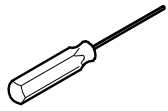


SIRUBA PARTS LIST	Series		Parts Group	Subclass / Remark		Page
	700KQT		KY			1/1
						Date
						2024/10/21
KY01JK 防塵罩	SK216KP 螺絲	KY05KP 油壺	KY04KP 漏斗	KY18KP 鑷子	KY203-A 油罐	
MY14KP 內六角螺絲起子	LY33KP 一字起子	KY201JKKP 工具袋	KR35 刀片	KY30 針板紙	KZ03 乾燥劑	

A



B



C

D

E

1

2

3

4

5

SIRUBA PARTS LIST	Series	Parts Group	Subclass / Remark	Page
	700KQT	KZ		1/1
				Date
				2024/10/28

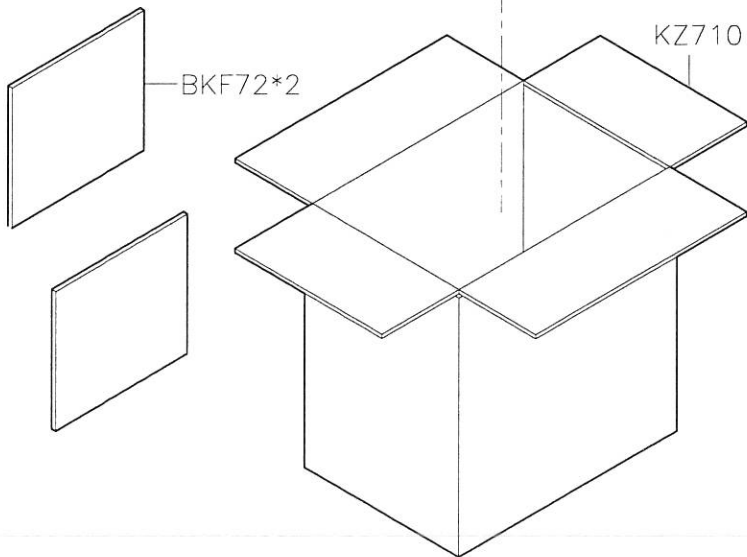
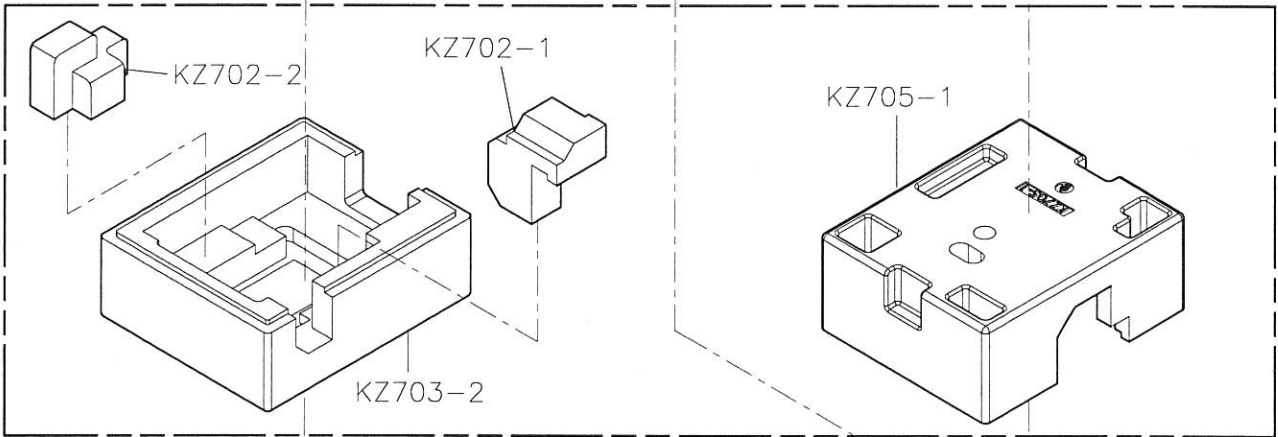
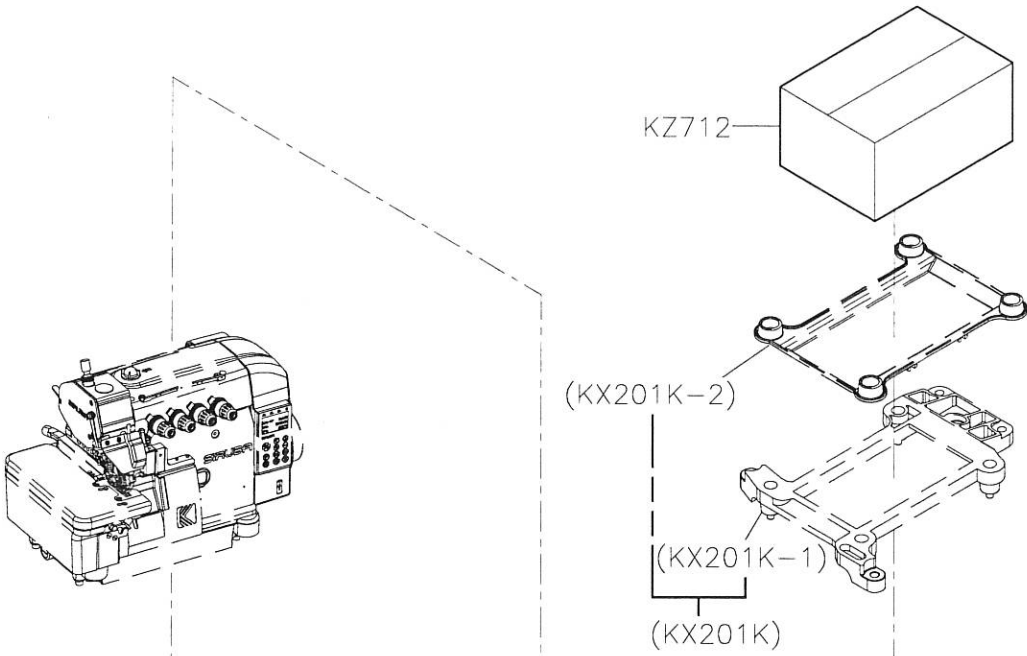
A

B

C

D

E



1

2

3

4

5